

LSA EcoDry ES-35

35-lb Capacity OPL Dryer

Standard Features:

- 35-lb. Capacity
- Residual Moisture Control (RMC)
- Self-Diagnostic Microprocessor Control
- 100% Axial Airflow
- Completely Sealed Basket
- Non-Perforated Ribs and Basket
- Dual-Paned Door Glass
- Four-Point Roller Support System
- High Capacity Lint Drawer
- Single Phase Reversing
- S.A.F.E. (Sensor Activated Fire Extinguishing System)

Optional Features:

- Stainless Steel Front, Cabinet & Basket



ES-35 OPL Dryer

Why Purchase EcoDry?

100% Axial Airflow (standard)

EcoDry tumblers incorporate a 100% axial airflow design with a completely sealed basket. This ensures the most efficient drying available on the market today without sacrificing dry times.

Four-Point Roller Support System (standard)

EcoDryers are designed with a four-point roller support system, eliminating costly repairs and downtime due to trunnion failures.

Residual Moisture Control (standard)

EcoDry utilizes a unique Residual Moisture Control (RMC) sensing system to measure the presence of moisture in the load. The patented system senses when the load is dry, shutting the unit down to prevent over-drying. This saves time, utility costs as well as prolongs the life of dried items.

Single Phase Reversing

Single Phase Reversing is an optional feature on the ES-35. What once was an expensive option requiring an upgrade from single phase to three phase electrical service is now available in single phase. A reversing tumbler ensures that the load doesn't "rope" or "ball up", providing a quicker, more even drying process.



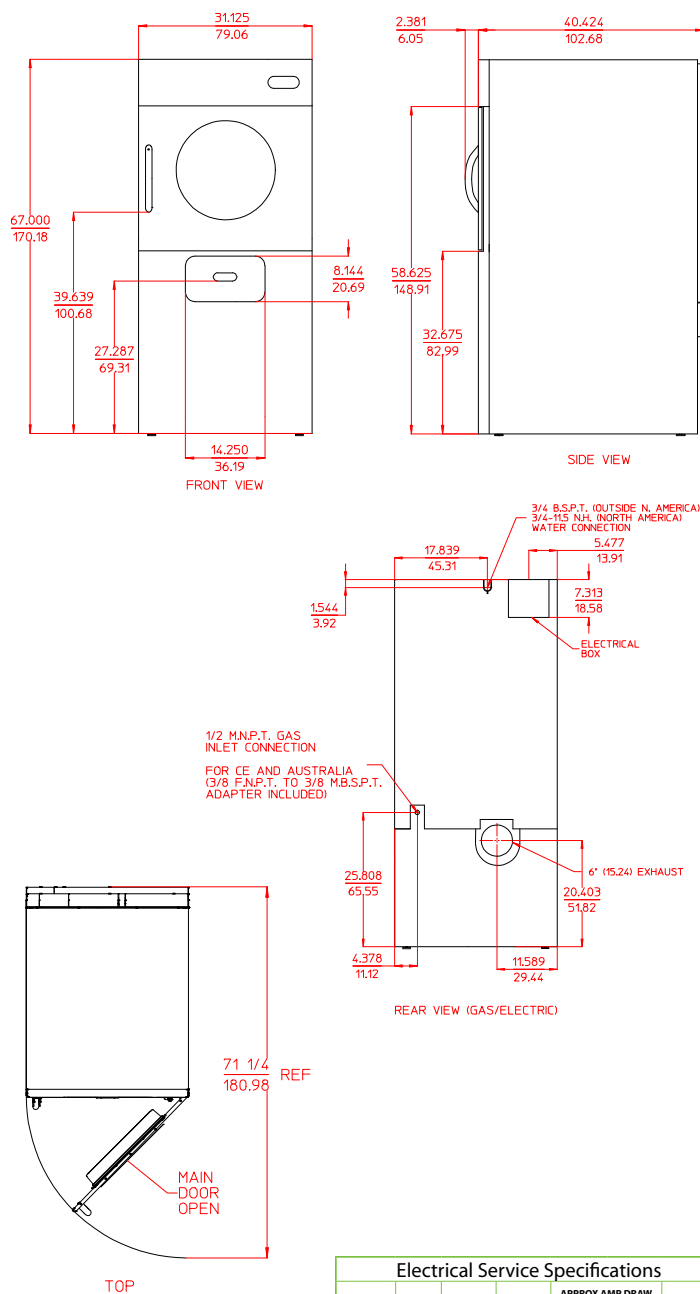
LSA EcoDry ES-35

ES-35 Specifications

Tumbler Capacity (dry weight)	35 lbs. (15.88 kg)		
Tumbler Diameter	30" (76.20 cm)		
Tumbler Depth	30" (76.20 cm)		
Tumbler Volume	12.27 cu ft (347.44 L)		
Tumbler/Drive Motor	1/4 hp (0.19 kW)		
Blower/Fan Motor	1/2 hp (0.37 kW)		
Door Opening (Diameter)	19-3/8" (49.21 cm)		
Door Sill Height	37" (93.98 cm)		
S.A.F.E. Water Connection	North America	3/4"-11.5 NH	
	Outside North America	3/4" B.S.P.T.	
Dryers per 20'/40' Container	14 / 28		
Dryers per 53' Truck	36		
Width	31.125" (79.06 cm)		
Depth	40.424" (102.68 cm)		
Height	67" (170.18 cm)		
Airflow gas/electric/steam	60 Hz	319 cfm (9.03 cmm)	
	50 Hz	266 cfm (7.53 cmm)	
Exhaust Connection	6" (15.24 cm)		
GAS MODEL:	Approx. Net Wt.	462 lbs (209.6 kg)	
	Approx. Ship Wt.	492 lbs (223.2 kg)	
	Heat Input 60 Hz	64,000 btu/hr (16,128 kcal/hr)	
	50 Hz	55,000 btu/hr (13,860 kcal/hr)	
	Inlet Pipe Connection (CE and Australia Only)	1/2" M.N.P.T. 3/8" M.B.S.P.T.	
ELECTRICAL MODEL:	Approx. Net Wt.	462 lbs (209.6 kg)	
	Approx. Ship Wt.	492 lbs (223.2 kg)	
Exhaust Connection (Diameter)	6" (15.24 cm)		
Oven Size per pocket		Oven Size per pocket	
kW	Btu/hr (kcal/hr)	kW	Btu/hr (kcal/hr)
7.9	26,962 (6,794)	12.4	42,320 (10,665)
8.3	28,327 (7,138)	12.5	42,661 (10,751)
9.0	30,716 (7,740)	13.5	46,074 (11,611)
11.3	38,566 (9,719)		
STEAM MODEL:	Approx. Net Wt.	462 lbs (209.6 kg)	
	Approx. Ship Wt.	492 lbs (223.2 kg)	
	Steam Consumption	63 lb/hr (28.58 kg/hr)	
	Operating Steam Pressure	150 psi max (10.34 bar)	
	Exhaust Connection (Diameter)	6" (15.24 cm)	
Boiler Horsepower (Normal Load)	1.75 Bhp		
Supply Connection	1/2" F.N.P.T.		
Return Connection	1/2" M.N.P.T.		

* Specifications in parentheses are metric equivalents.

1/21/10



Electrical Service Specifications					
SERVICE VOLTAGE	PHASE	WIRE SERVICE	APPROX AMP DRAW		CIRCUIT BREAKER
			60 Hz	50 Hz	
GAS					
120	1ø	2	10.3	--	15
200	1ø	2	8.7	8.8	15
208	1ø	2	8.4	--	15
220	1ø	2	8.1	8.1	15
230	1ø	2	--	7.4	15
240	1ø	2	7.7	7.0	15
STEAM					
120	1ø	2	9.3	--	15
208	1ø	2	6.2	6.0	15
220	1ø	2	5.6	5.5	15
230	1ø	2	--	5.4	15
240	1ø	2	5.1	--	15

Electrical Service Specifications						
SERVICE VOLTAGE	PHASE	WIRE SERVICE	OVEN kW	APPROX AMP DRAW		CIRCUIT BREAKER
				60 Hz	50 Hz	
ELECTRIC						
200	1ø	2	12.5	68.4	67.7	90
208	1ø	2	7.9	43.8	--	60
208	1ø	2	13.5	70.7	--	90
220	1ø	2	7.5	36.9	--	40
230	1ø	2	8.3	--	41.3	60
230	1ø	2	12.4	--	59.1	80
240	1ø	2	9.0	42.7	--	60
240	1ø	2	13.5	61.5	--	80
208	3ø	3	13.5	43.3	--	60
220	3ø	3	11.3	35.3	--	50
230	3ø	3	12.4	--	36.5	50
240	3ø	3	13.5	37.7	--	50
380	3ø	4	11.3	22.8	22.6	40
400	3ø	4	12.4	--	23.1	40
416	3ø	4	13.5	--	23.7	40



1/6 Redland Drive, Mitcham VIC 3132 AUSTRALIA • Phone: 1800 243 477 • Fax: 1300 728 108 • Email: info@yourlaundry.com.au

* Specifications are subject to change without notice or obligation. Contact LSA for dimensions not shown or for clarification.

www.yourlaundry.com.au

P/N 450613.A 02/10

LSA EcoDry ES-50

50-lb Capacity OPL Dryer

Standard Features:

- 50-lb. Capacity
- Single Phase Reversing
- Residual Moisture Control (RMC)
- Self-Diagnostic Microprocessor Control
- 100% Axial Airflow
- Completely Sealed Basket
- Non-Perforated Ribs and Basket
- Dual-Paned Door Glass
- Four-Point Roller Support System
- High Capacity Lint Drawer
- S.A.F.E. (Sensor Activated Fire Extinguishing System)

Optional Features:

- Stainless Steel Front, Cabinet & Basket

OPL



ES-50 OPL Dryer

Why Purchase EcoDry?

100% Axial Airflow (standard)

EcoDry tumblers incorporate a 100% axial airflow design with a completely sealed basket. This ensures the most efficient drying available on the market today without sacrificing dry times.

Four-Point Roller Support System (standard)

EcoDryers are designed with a four-point roller support system, eliminating costly repairs and downtime due to trunion failures.

Single Phase Reversing (standard)

Single Phase Reversing is standard on the ES-50 and ES-76 (optional on other units). What once was an expensive option requiring an upgrade from single phase to three phase electrical service is now available in single phase. A reversing tumbler ensures that the load doesn't "rope" or "ball up", providing a quicker, more even drying process.

Residual Moisture Control (standard)

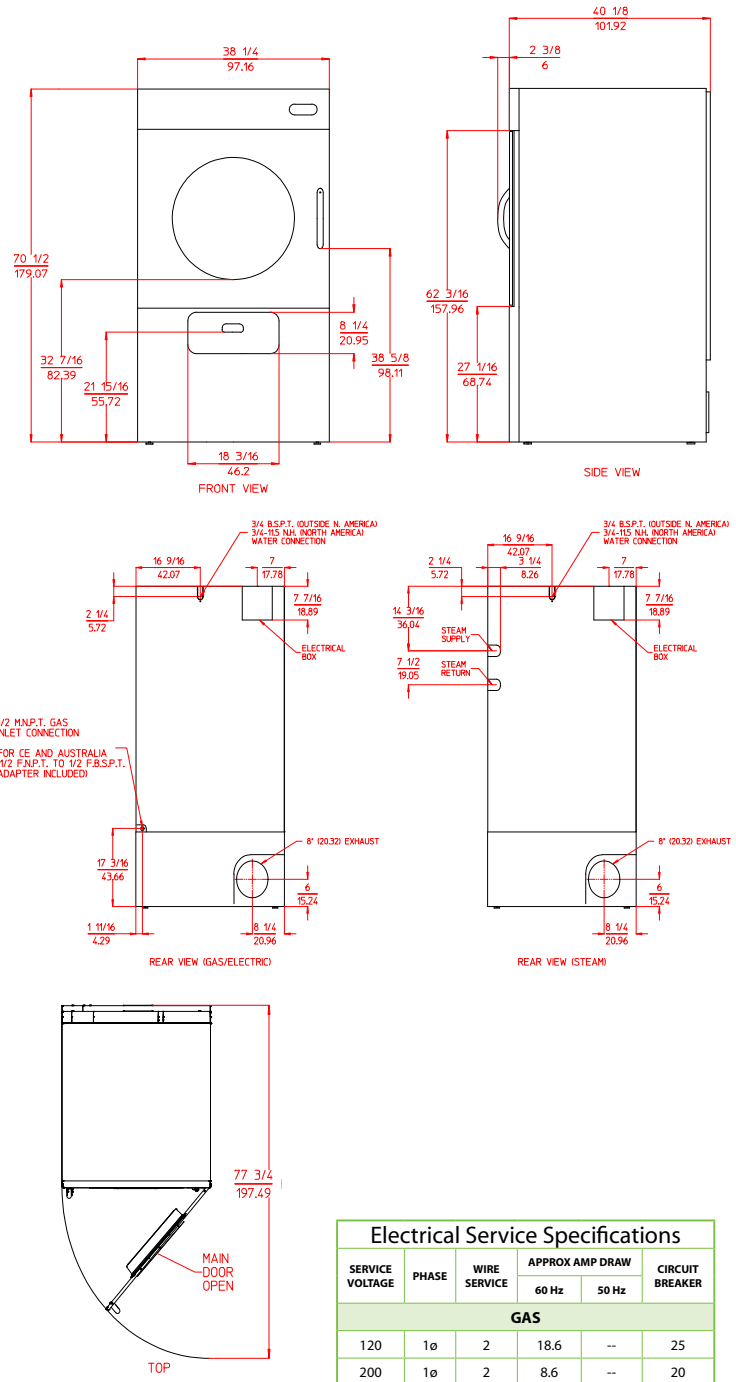
EcoDry utilizes a unique Residual Moisture Control (RMC) sensing system to measure the presence of moisture in the load. The patented system senses when the load is dry, shutting the unit down to prevent over-drying. This saves time, utility costs as well as prolongs the life of dried items.



LSA EcoDry ES-50

ES-50 Specifications

Tumbler Capacity (dry weight)	50 lbs. (22.68 kg)										
Tumbler Diameter	37" (93.98 cm)										
Tumbler Depth	25-3/4" (65.41 cm)										
Tumbler Volume	16.02 cu ft (453.64 L)										
Tumbler/Drive Motor	3/4 hp (0.56 kW)										
Blower/Fan Motor	3/4 hp (0.56 kW)										
Door Opening (Diameter)	27-3/8" (69.53 cm)										
Door Sill Height	27-5/16" (69.37 cm)										
S.A.F.E. Water Connection	3/4" - 11.5 NH										
Dryers per 20'/40' Container	10 / 22										
Dryers per 53' Truck	28										
Width	38-1/4" (97.16 cm)										
Depth	40-1/8" (101.92 cm)										
Height	70-1/2" (179.07 cm)										
Airflow gas/electric/steam	60 Hz 600 cfm (17.00 cmm) 50 Hz 500 cfm (14.16 cmm)										
Exhaust Connection	8" (20.32 cm)										
GAS MODEL:											
Approx. Net Wt.	610 lbs (276.69 kg)										
Approx. Ship Wt.	640 lbs (290.30 kg)										
Heat Input	110,000 btu/hr (27,720 kcal/hr)										
Inlet Pipe Connection	1/2" M.N.P.T.										
ELECTRICAL MODEL:											
Approx. Net Wt.	610 lbs (276.69 kg)										
Approx. Ship Wt.	640 lbs (290.30 kg)										
Exhaust Connection (Diameter)	8" (20.32 cm)										
<table border="1"> <thead> <tr> <th colspan="2">Oven Size</th> </tr> <tr> <th>kW</th> <th>Btu/hr (kcal/hr)</th> </tr> </thead> <tbody> <tr> <td>18.5</td> <td>63,105 (15,902)</td> </tr> <tr> <td>20.3</td> <td>69,418 (17,493)</td> </tr> <tr> <td>22.0</td> <td>75,084 (18,920)</td> </tr> </tbody> </table>		Oven Size		kW	Btu/hr (kcal/hr)	18.5	63,105 (15,902)	20.3	69,418 (17,493)	22.0	75,084 (18,920)
Oven Size											
kW	Btu/hr (kcal/hr)										
18.5	63,105 (15,902)										
20.3	69,418 (17,493)										
22.0	75,084 (18,920)										
STEAM MODEL:											
Approx. Net Wt.	610 lbs (276.69 kg)										
Approx. Ship Wt.	640 lbs (290.30 kg)										
Steam Consumption	107 lb/hr (48.53 kg/hr)										
Operating Steam Pressure	150 psi max (10.34 bar)										
Exhaust Connection (Diameter)	8" (15.24 cm)										
Boiler Horsepower (Normal Load)	3 Bhp										
Supply Connection	3/4" F.N.P.T.										
Return Connection	3/4" M.N.P.T.										



* Specifications in parentheses are metric equivalents.

1/28/10

Electrical Service Specifications

SERVICE VOLTAGE	PHASE	WIRE SERVICE	OVEN kW	APPROX AMP DRAW		CIRCUIT BREAKER	SERVICE VOLTAGE	PHASE	WIRE SERVICE	OVEN kW	APPROX AMP DRAW		CIRCUIT BREAKER
				60 Hz	50 Hz						60 Hz	50 Hz	
ELECTRIC							ELECTRIC						
200	1ø	2	20.3	114.4	--	150	220	3ø	3	18.5	60.2	57.8	80
208	1ø	2	22.0	118.7	--	150	230	3ø	3	20.3	--	60.0	80
220	1ø	2	18.5	95.7	93.3	120	240	3ø	3	22.0	64.2	--	80
230	1ø	2	20.3	--	97.2	130	380	3ø	4	18.5	39.6	37.2	50
240	1ø	2	22.0	103.0	--	130	400	3ø	4	20.3	--	40.2	50
208	3ø	3	22.0	73.8	--	100	416	3ø	4	22.0	--	39.6	50

Electrical Service Specifications

SERVICE VOLTAGE	PHASE	WIRE SERVICE	APPROX AMP DRAW		CIRCUIT BREAKER
			60 Hz	50 Hz	
GAS					
120	1ø	2	18.6	--	25
200	1ø	2	8.6	--	20
208	1ø	2	8.7	--	20
220	1ø	2	--	8.8	20
230	1ø	2	8.8	8.8	20
240	1ø	2	9.1	--	20
STEAM					
120	1ø	2	15.2	--	20
200	1ø	2	6.7	--	20
208	1ø	2	6.8	--	20
220	1ø	2	6.9	6.8	20
230	1ø	2	--	6.8	20
240	1ø	2	7.1	--	20



1/6 Redland Drive, Mitcham VIC 3132 AUSTRALIA • Phone: 1800 243 477 • Fax: 1300 728 108 • Email: info@yourlaundry.com.au

* Specifications are subject to change without notice or obligation. Contact LSA for dimensions not shown or for clarification.

www.yourlaundry.com.au

P/N 450609.A 02/10

LSA EcoDry ES-76

75-lb Capacity OPL Dryer

Standard Features:

- 75-lb. Capacity
- Single Phase Reversing
- Residual Moisture Control (RMC)
- Self-Diagnostic Microprocessor Control
- 100% Axial Airflow
- Completely Sealed Basket
- Non-Perforated Ribs and Basket
- Dual-Paned Door Glass
- Four-Point Roller Support System
- High Capacity Lint Drawer
- S.A.F.E. (Sensor Activated Fire Extinguishing System)

Optional Features:

- Stainless Steel Front, Cabinet & Basket

OPL



ES-76 OPL Dryer

Why Purchase an EcoDry?

100% Axial Airflow (standard)

EcoDry tumblers incorporate a 100% axial airflow design with a completely sealed basket. This ensures the most efficient drying available on the market today without sacrificing dry times.

Four-Point Roller Support System (standard)

EcoDryers are designed with a four-point roller support system, eliminating costly repairs and downtime due to trunnion failures.

Single Phase Reversing (standard)

Single Phase Reversing is standard on the ES-76 and ES-50 (optional on other units). What once was an expensive option requiring an upgrade from single phase to three phase electrical service is now available in single phase.

A reversing tumbler ensures that the load doesn't "rope" or "ball up", providing a quicker, more even drying process.

Residual Moisture Control (standard)

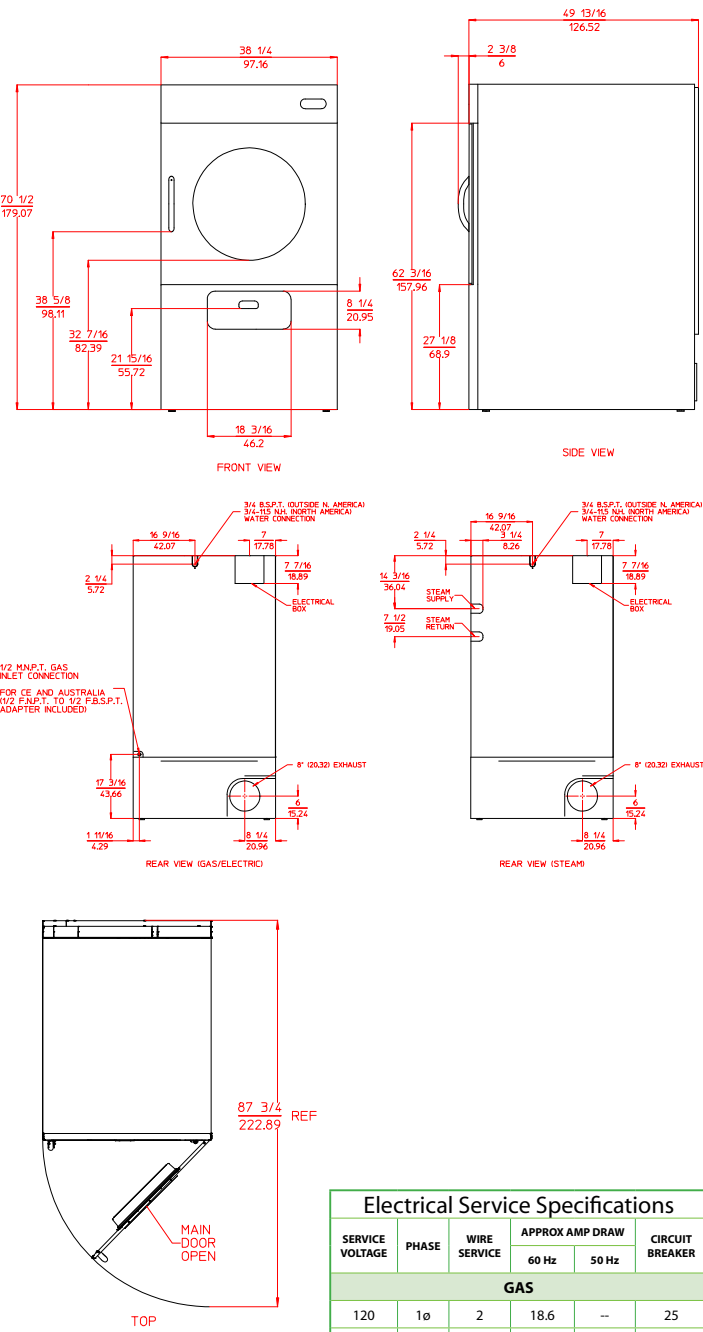
EcoDry utilizes a unique Residual Moisture Control (RMC) sensing system to measure the presence of moisture in the load. The patented system senses when the load is dry, shutting the unit down to prevent over-drying. This saves time, utility costs as well as prolongs the life of dried items.



LSA EcoDry ES-76

ES-76 Specifications

Tumbler Capacity (dry weight)	75 lbs. (34.02 kg)																	
Tumbler Diameter	37" (93.98 cm)																	
Tumbler Depth	35-1/2" (90.17 cm)																	
Tumbler Volume	22.09 cu ft (625.52 L)																	
Tumbler/Drive Motor 200-208V 60 Hz / All Other	1 hp (0.75 kW) / 3/4 hp (0.56 kW)																	
Blower/Fan Motor	3/4 hp (0.56 kW)																	
Door Opening (Diameter)	27-3/8" (69.53 cm)																	
Door Sill Height	27-5/16" (69.37 cm)																	
S.A.F.E. Water Connection	3/4"-11.5 NH																	
Dryers per 20'/40' Container	9 / 20																	
Dryers per 48'/53' Truck	25 / 27																	
Width	38-1/4" (97.16 cm)																	
Depth	49-13/16" (126.52 cm)																	
Height	70-1/2" (179.07 cm)																	
Airflow	60 Hz	600 cfm (17.00 cmm)																
gas/electric/steam	50 Hz	500 cfm (14.16 cmm)																
Exhaust Connection	8" (20.32 cm)																	
GAS MODEL:																		
Approx. Net Wt.	745 lbs (337.93 kg)																	
Approx. Ship Wt.	775 lbs (351.53 kg)																	
Heat Input 60 Hz	130,000 btu/hr (32,760 kcal/hr)																	
50Hz	110,000 btu/hr (27,720 kcal/hr)																	
Inlet Pipe Connection	1/2" M.N.P.T.																	
ELECTRICAL MODEL:																		
Approx. Net Wt.	745 lbs (337.93 kg)																	
Approx. Ship Wt.	775 lbs (351.53 kg)																	
Exhaust Connection (Diameter)	8" (20.32 cm)																	
<table border="1"> <thead> <tr> <th colspan="2">Oven Size</th> <th colspan="2">Oven Size</th> </tr> <tr> <th>kW</th> <th>Btu/hr (kcal/hr)</th> <th>kW</th> <th>Btu/hr (kcal/hr)</th> </tr> </thead> <tbody> <tr> <td>18.4</td> <td>62,763 (15,816)</td> <td>20.3</td> <td>69,418 (17,493)</td> </tr> <tr> <td>20.2</td> <td>68,975 (17,381)</td> <td>20.4</td> <td>69,521 (17,519)</td> </tr> </tbody> </table>			Oven Size		Oven Size		kW	Btu/hr (kcal/hr)	kW	Btu/hr (kcal/hr)	18.4	62,763 (15,816)	20.3	69,418 (17,493)	20.2	68,975 (17,381)	20.4	69,521 (17,519)
Oven Size		Oven Size																
kW	Btu/hr (kcal/hr)	kW	Btu/hr (kcal/hr)															
18.4	62,763 (15,816)	20.3	69,418 (17,493)															
20.2	68,975 (17,381)	20.4	69,521 (17,519)															
STEAM MODEL:																		
Approx. Net Wt.	745 lbs (337.93 kg)																	
Approx. Ship Wt.	775 lbs (351.53 kg)																	
Steam Consumption	107 lb/hr (48.53 kg/hr)																	
Operating Steam Pressure	150 psi max (10.34 bar)																	
Exhaust Connection (Diameter)	8" (20.32 cm)																	
Boiler Horsepower (Normal Load)	3 Bhp																	
Supply Connection	3/4" F.N.P.T.																	
Return Connection	3/4" M.N.P.T.																	



* Specifications in parentheses are metric equivalents.

2/1/10

Electrical Service Specifications

SERVICE VOLTAGE	PHASE	WIRE SERVICE	OVEN KW	APPROX AMP DRAW		CIRCUIT BREAKER	SERVICE VOLTAGE	PHASE	WIRE SERVICE	OVEN KW	APPROX AMP DRAW		CIRCUIT BREAKER
				60 Hz	50 Hz						60 Hz	50 Hz	
ELECTRIC							ELECTRIC						
200	1ø	2	20.3	114.4	--	150	220	3ø	3	18.5	60.2	57.8	80
208	1ø	2	22.0	118.7	--	150	230	3ø	3	20.3	--	60.0	80
220	1ø	2	18.5	95.7	93.3	120	240	3ø	3	22.0	64.2	--	80
230	1ø	2	20.3	--	97.2	130	380	3ø	4	18.5	39.6	37.2	50
240	1ø	2	22.0	103.0	--	130	400	3ø	4	20.3	--	40.2	50
208	3ø	3	22.0	73.8	--	100	416	3ø	4	22.0	--	39.6	50

Electrical Service Specifications

SERVICE VOLTAGE	PHASE	WIRE SERVICE	APPROX AMP DRAW		CIRCUIT BREAKER
			60 Hz	50 Hz	
GAS					
120	1ø	2	18.6	--	25
200	1ø	2	8.6	--	20
208	1ø	2	8.7	--	20
220	1ø	2	--	8.8	20
230	1ø	2	8.8	8.8	20
240	1ø	2	9.1	--	20
STEAM					
120	1ø	2	15.2	--	20
200	1ø	2	6.7	--	20
208	1ø	2	6.8	--	20
220	1ø	2	6.9	6.8	20
230	1ø	2	--	6.8	20
240	1ø	2	7.1	--	20



1/6 Redland Drive, Mitcham VIC 3132 AUSTRALIA • Phone: 1800 243 477 • Fax: 1300 728 108 • Email: info@yourlaundry.com.au

* Specifications are subject to change without notice or obligation. Contact LSA for dimensions not shown or for clarification.

P/N 450608.A 02/10

www.yourlaundry.com.au

LSA EcoDry ES-3535

35-lb x 2 Capacity OPL Stack Dryer

Standard Features:

- 35-lb. x 2 capacity
- Residual Moisture Control (RMC)
- Self-Diagnostic Microprocessor Control
- 100% Axial Airflow
- Completely Sealed Basket
- Non-Perforated Ribs and Basket
- Dual-Paned Door Glass
- Four-Point Roller Support System
- Single Phase Reversing
- S.A.F.E. (Sensor Activated Fire Extinguishing System)

Optional Features:

- Stainless Steel Front, Cabinet & Basket

OPL



ES-3535 OPL Stack Dryer

Why Purchase EcoDry?

100% Axial Airflow (standard)

EcoDry tumblers incorporate a 100% axial airflow design with a completely sealed basket. This ensures the most efficient drying available on the market today without sacrificing dry times.

Four-Point Roller Support System (standard)

EcoDryers are designed with a four-point roller support system, eliminating costly repairs and downtime due to trunnion failures.

Residual Moisture Control (standard)

EcoDry utilizes a unique Residual Moisture Control (RMC) sensing system to measure the presence of moisture in the load. The patented system senses when the load is dry, shutting the unit down to prevent over-drying. This saves time, utility costs as well as prolongs the life of dried items.

Single Phase Reversing (standard)

Single Phase Reversing is an optional feature on the ES-3535. What once was an expensive option requiring an upgrade from single phase to three phase electrical service is now available in single phase. A reversing tumbler ensures that the load doesn't "rope" or "ball up", providing a quicker, more even drying process.



LSA EcoDry ES-3535

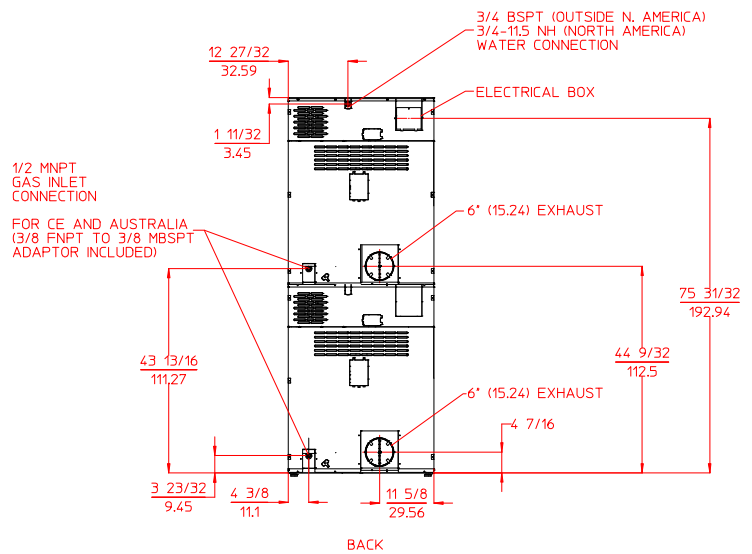
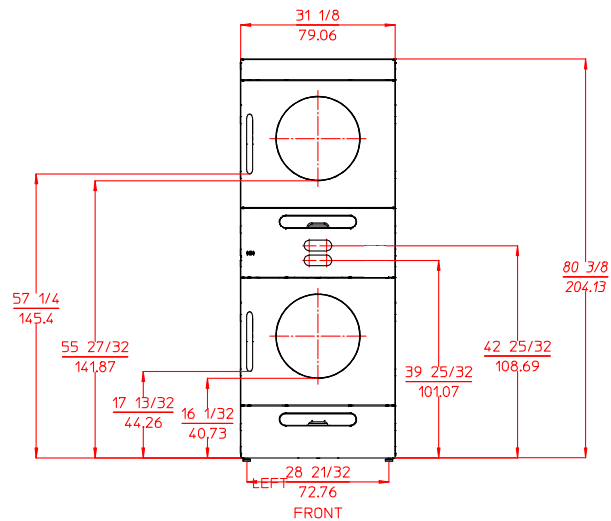
ES-3535 Specifications

Tumbler Capacity (dry weight per pocket)	35 lbs. (15.88 kg) x 2
Tumbler Diameter	30" (76.20 cm)
Tumbler Depth	30" (76.20 cm)
Tumbler Volume per pocket	12.27 cu ft (347.44 L)
Tumbler/Drive Motor per pocket	1/4 hp (0.19 kW)
Blower/Fan Motor per pocket	1/2 hp (0.37 kW)
Door Opening (Diameter)	19-3/8" (49.21 cm)
Door Sill Height top pocket / bottom pocket	54-11/16" (138.91 cm) / 14-7/8" (37.78 cm)
S.A.F.E. Water Connection	North America 3/4"-11.5 NH Outside North America 3/4" B.S.P.T.
Dryers per 20'/40' Container	14 / 28
Dryers per 53' Truck	36
Width	31-1/8" (79.06 cm)
Depth	39-5/8" (100.69 cm)
Height	80-3/8" (204.13 cm)
Airflow per pocket	380 cfm (10.76 cmm)
Exhaust Connection	6" (15.24 cm)
GAS MODEL:	Approx. Net Wt. 600 lbs (272.16 kg) Approx. Ship Wt. 630 lbs (285.76 kg) Heat Input 64,000 btu/hr (16,138 kcal/hr) Inlet Pipe Connection per pocket 1/2" M.N.P.T.

* Not available in electric or steam models.

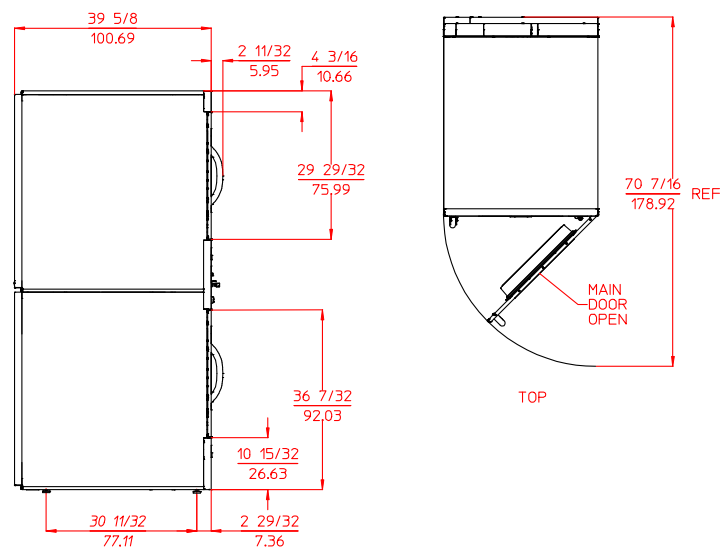
** Specifications in parentheses are metric equivalents.

3/24/10



Electrical Service Specifications

SERVICE VOLTAGE	PHASE	WIRE SERVICE	APPROX AMP DRAW		CIRCUIT BREAKER
			60 Hz	50 Hz	
GAS					
120	1Ø	2	10.3	--	15
200	1Ø	2	8.7	8.8	15
208	1Ø	2	8.4	--	15
220	1Ø	2	8.1	8.1	15
230	1Ø	2	--	7.4	15
240	1Ø	2	7.7	7.0	15



1/6 Redland Drive, Mitcham VIC 3132 AUSTRALIA • Phone: 1800 243 477 • Fax: 1300 728 108 • Email: info@yourlaundry.com.au

* Specifications are subject to change without notice or obligation. Contact LSA for dimensions not shown or for clarification.

www.yourlaundry.com.au

P/N 450612.A 02/10