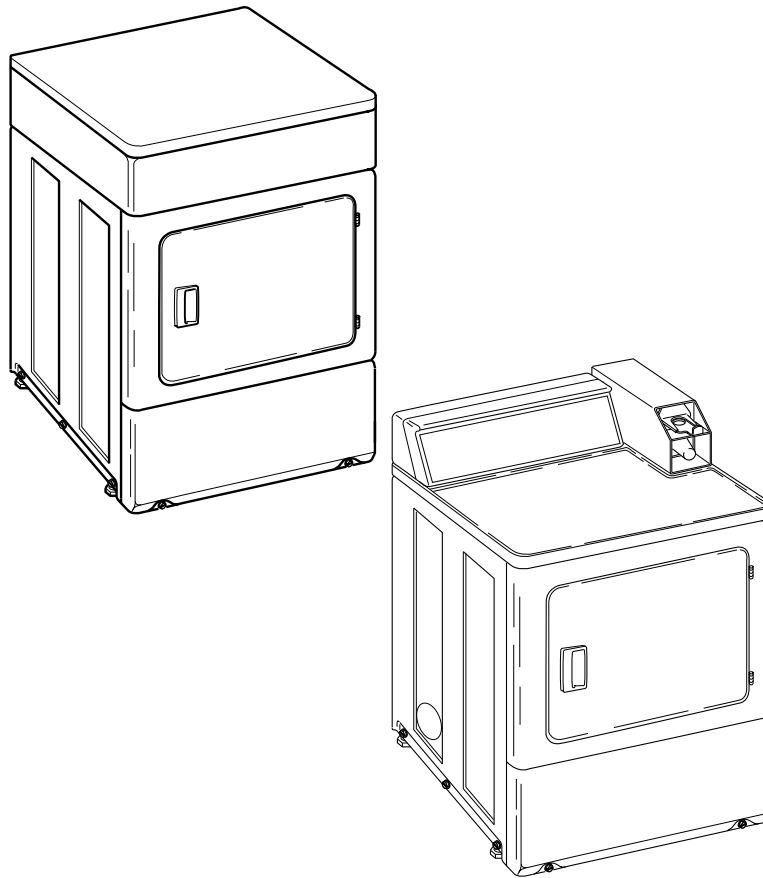


Commercial Dryers

Metered and Nonmetered
Refer to Page 5 for Model Numbers



DRY692C_506055

Table of Contents

Title	Page
Parts Ordering Information.....	3
Serial Plate Location	3
Model Identification	5
Graphic Overlays and Controls - Electromechanical Rear Control Models	6
Control Hood - Electromechanical Rear Control Models	8
Control Panel, Control Hood and Controls - Nonmetered Rear Control Models.....	10
Control Panel and Control Hood - Coin Slide Rear Control Models.....	12
Control Panel and Controls - Electronic Rear Control Models.....	14
Control Panel and Controls - Rear Control Coin Drop Models.....	16
Control Panel and Controls - Rear Control Card Models.....	18
Timer and Timer Case - Nonmetered Rear Control Models	20
Short Vault Coin Slide Extension and Meter Case - Coin Slide Rear Control Models.....	22
Long Vault Coin Slide Extension and Meter Case - Coin Slide Rear Control Models.....	24
Control, Meter Case and Service Door - Coin Slide Rear Control Models.....	26
Coin Slide Extension Through Serial No. 1211 - Coin Slide Rear Control Models	28
Coin Slide Extension Starting Serial No. 1211 - Coin Slide Rear Control Models	30
Non-Electronic Coin Drop - Rear Control Models	32
Electronic Coin Drop - Rear Control Models	34
Meter Case - Rear Control Coin Drop Models	36
Card Reader and Security Case - Rear Control Models.....	38
Cabinet Top - Rear Control Models (Drawing 1 of 2).....	40
Cabinet Top - Rear Control Models (Drawing 2 of 2).....	42
Control Panel and Controls - Coin Slide Ready Front Control Models	44
Control Panel and Controls - Front Control Coin Drop and Card Models (Drawing 1 of 2).....	46
Control Panel and Controls - Front Control Coin Drop and Card Models (Drawing 2 of 2).....	48
Non-Electronic Coin Drop - Front Control Models.....	50
Electronic Coin Drop - Front Control Models	52
Control Cabinet Controls - Front Control Coin Drop Models.....	54
Control Cabinet Controls - Front Control Card Reader Ready Models	56
Card Reader - Front Control Card Reader Ready and Installed Models	58
Cabinet Top - Front Control Coin Slide Ready, Coin Drop Ready, Coin Drop Installed and Card Reader Ready Models	60
Controls and Cabinet Top	62
Control Cabinet - Front Control Non-Vend Models	64
Cabinet Top - Front Control Coin Drop and Card Reader Installed Models.....	66
Accumulator - Coin Slide Models	68
Loading Door with Window (Drawing 1 of 3).....	70
Loading Door with Window (Drawing 2 of 3).....	72
Loading Door with Window (Drawing 3 of 3).....	74
Loading Door without Window (Drawing 1 of 2).....	76
Loading Door without Window (Drawing 2 of 2).....	78
Access Panel	80

© Copyright 2016, Alliance Laundry Systems LLC

All rights reserved. No part of the contents of this book may be reproduced or transmitted in any form or by any means without the expressed written consent of the publisher.

Front Panel and Seal	82
Motor and Belt.....	84
Exhaust Fan and Idler Assembly	86
Thermistor and Thermostat (Drawing 1 of 2)	88
Thermistor and Thermostat (Drawing 2 of 2).....	90
Front Bulkhead, Air Duct, Felt Seal and Cylinder with Light	92
Front Bulkhead and Air Duct.....	94
Felt Seal and Cylinder without Light	96
Air Duct Label	98
Rear Bulkhead, Felt Seal and Cylinder Roller	100
Terminal Block - Gas and 1 Phase Electric Models	102
Terminal Block - 3 Phase Electric Models.....	104
Heater Duct Assembly - 3 Phase	106
Heater Duct and Element Assembly - 1 Phase.....	108
Heater Duct Assembly	110
Gas Valve, Igniter, Ignition Control and Gas Conversion Kits.....	112
Gas Valve	114
Burner Orifice Spuds - For Higher Elevations (Drawing 1 of 2)	116
Burner Orifice Spuds - For Higher Elevations (Drawing 2 of 2)	118
Igniter and Gas Conversion Kits	120
Cabinet, Exhaust Duct and Base	122
Contactors and Transformer.....	124
Power Cord	126
Strain Relief	128
Terminal Block and Terminals	130
Terminals	132
Motor Connection Block and Tools	134
Wire Harnesses and Wires - Front Control Models Through Serial No. 1401 (Drawing 1 of 2).....	136
Wire Harnesses and Wires - Front Control Models Through Serial No. 1401 (Drawing 2 of 2).....	138
Wire Harnesses and Wires - Front Control Models Starting Serial No. 1401 (Drawing 1 of 2).....	140
Wire Harnesses and Wires - Front Control Models Starting Serial No. 1401 (Drawing 2 of 2).....	142
Wire Harnesses and Wires - Front Control Models Through Serial No. 1303025314	144
Wire Harnesses and Wires - Front Control Models Starting Serial No. 1303025315	146
Wire Harnesses and Wires - Front Control Models Through Serial No. 0904 (Drawing 1 of 2).....	148
Wire Harnesses and Wires - Front Control Models Through Serial No. 0904 (Drawing 2 of 2).....	150
Wire Harnesses and Wires - Front Control Models Starting Serial No. 0904 and Continuing Through Serial No. 1401	152
Wire Harnesses and Wires - Front Control Models Starting Serial No. 1401	154
Wire Harnesses and Wires - Front Control Models Starting Serial No. 0904 and Continuing Through Serial No. 1303025314	156
Wire Harnesses and Wires - Front Control Models Starting Serial No. 1303025315	158
Wire Harnesses and Wires - Rear Control Models Through Serial No. 1207	160
Wire Harnesses and Wires - Rear Control Models Starting Serial No. 1207 (Drawing 1 of 2)	162
Wire Harnesses and Wires - Rear Control.....	164
Wire Harnesses and Wires - Rear Control Models Through Serial No. 0904.....	166
Wire Harnesses and Wires - Rear Control Models Starting Serial No. 0904 and Continuing Through Serial No. 1207	168
Wire Harnesses and Wires - Rear Control Models Starting Serial No. 1207 (Drawing 2 of 2)	170
Parts Index.....	173

Parts Ordering Information

If literature or replacement parts are required, contact the source from whom the machine was purchased or contact Alliance Laundry Systems at (920) 748-3950 for the name and address of the

nearest authorized parts distributor.

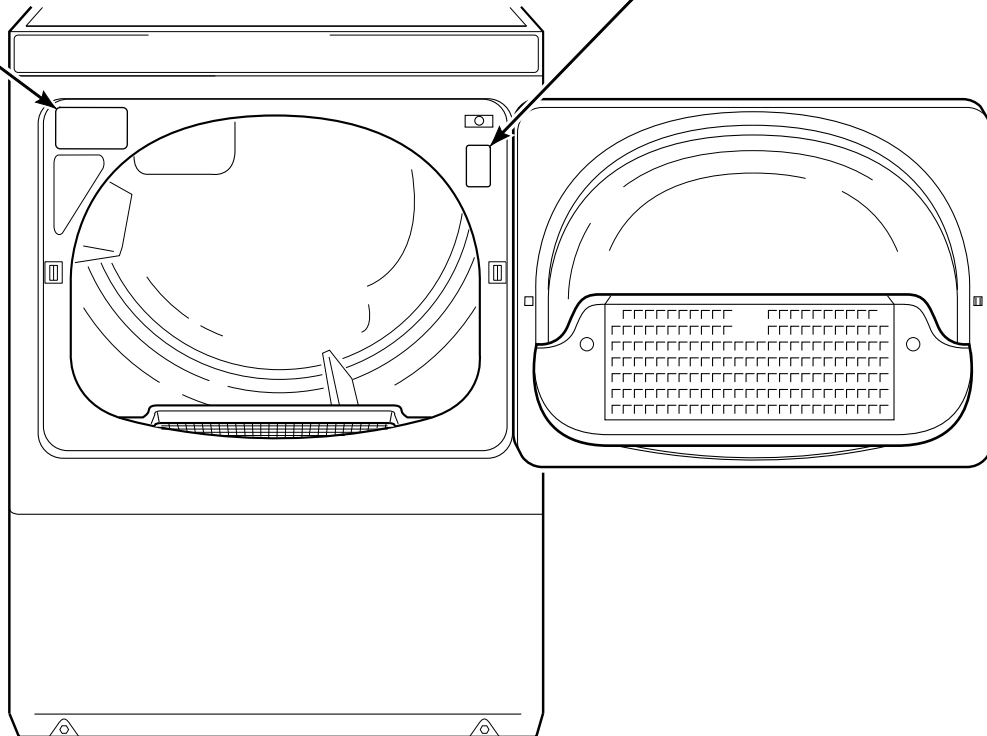
For technical assistance, the number listed below:
(920) 748-3121 Ripon, Wisconsin

Serial Plate Location

When calling or writing about your product, be sure to mention model and serial numbers. Model and serial numbers are located on serial plate(s) as shown.

SERIAL PLATE
(Models starting Serial No. 1206025810)

SERIAL PLATE
(Models through Serial No. 1206025809)



DRY2283P_506055

Model Identification

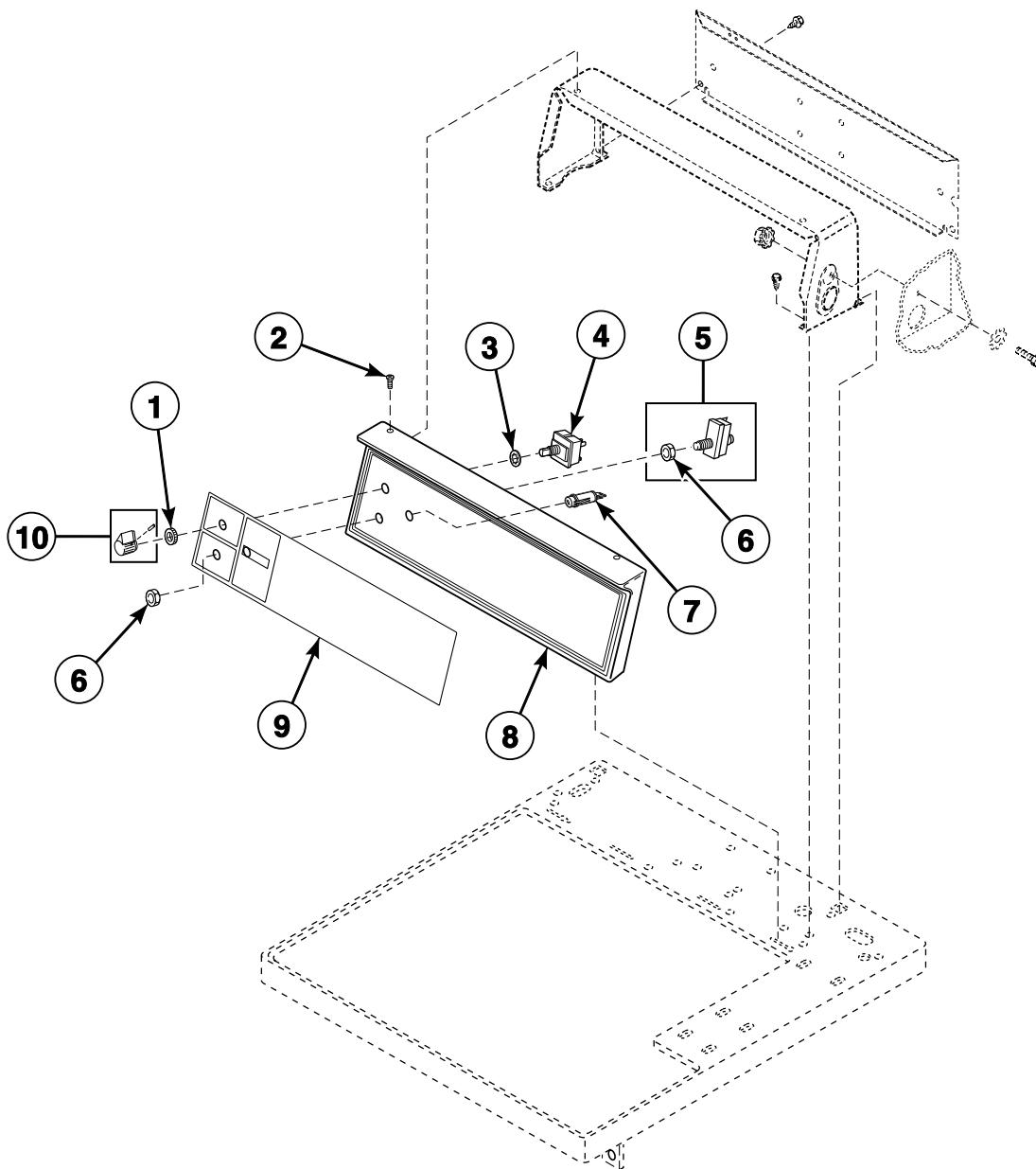
Information in this manual is applicable to these dryer models:

BDEBEFGS171CN01	GFEG17NG3018	HDG009*F1102	KFET17NF1702	SDE907*F3000
BDEBEFGS171CW01	GFEG17NG4018	HDG009*F3000	KFEX17NG3018	SDE907*F4350
BDEBLFGS431AW01	GFEX17NG3018	HDG009*G3008	KFEX17NG4018	SDE907*F5412
BDEMNRGS431AW01	GFEX17NG4018	HDG009*M3008	KFEY17NF1702	SDE907*G3018
BDGBEFGS111CN01	GFEY17NG3018	HDG109*F1102	KFEY17NG3018	SDE907*G4018
BDGBEFGS111CW01	GFEY17NG4018	HDG109*F3000	KFEY17NG4018	SDEA07*J3000
BDGBLFGS301AW01	GFGG19NM3020	HDG109*G3013	KFGG19NF1102	SDEA07*J4350
BDGBLFGW541NW01	GFGX19NM3020	HDG109*M3013	KFGG19NM3020	SDEF07*J4350
BDGBXRGs301AW01	GFGY19NM3020	HDG509*F1102	KFGT19NF1102	SDEX07*F3000
BDGMNRGS301AW01	HDE007*F1702	HDG709*F1102	KFGX19NM3020	SDEX07*F4350
HDEBXFGS131DW01	HDE007*F3000	HDG809*F1102	KFGY19NF1102	SDEX07*G3018
HDEBXFGS541DW01	HDE007*G3003	HDG909*F1102	KFGY19NM3020	SDEX07*G4018
HDEBXRGs171FW28	HDE007*G3008	HDGB09*J1102	NDE007*G3018	SDG009*F3000
HDGBXFGS121DW01	HDE007*G3010	HDGF09*J1102	NDE007*G4018	SDG009*F3058
HDGBXFGS541DW01	HDE007*G4008	HDGR09*F1102	NDE807*F3022	SDG009*F3060
JDEBEFGW301EW01	HDE007*G4010	HDGT09*F1102	NDE807*F5422	SDG109*F3000
JDEBGFGW301EW01	HDE107*F1502	HDGX09*F1102	NDE807*G3018	SDG109*F3058
JDEBGFsw301EN01	HDE107*F1702	HDGX09*F3000	NDE807*G4018	SDG109*F3060
JDGBEFGW301EW01	HDE107*F3000	HDGX09*M3013	NDE907*F3022	SDG109*F5412
JDGBGFGW301EW01	HDE107*G3003	HDGY09*F1102	NDE907*F5422	SDG109*G3013
JDGBGFsw301EN01	HDE107*G3018	HDGZ09*F1102	NDG809*F3022	SDG109*M3013
KU3MNFCS401NN01	HDE107*G4018	HFE167*G4018	NDG809*F5422	SDG409*F3000
NDEBXRGs301NW22	HDE507*F1502	HFE507*F1702	NDG909*F3022	SDG409*F3058
SDEBXFGS131DW01	HDE507*F1702	HFE707*F1702	NDG909*F5422	SDG809*F3060
SDEBXFGS541DW01	HDE707*F1502	HFEB07*J1702	NFEL47*G4018	SDG909*F3060
SDEBXRGs301NW22	HDE707*F1702	HFEL47*G4018	NFEL67*G4018	SDG909*F5412
SDESXRGs151CW02	HDE807*F1702	HFEL67*G4018	NFEX07*G3018	SDG909*M3013
SDESXRGs171CW02	HDE907*F1502	HFEX07*F1702	NFEX07*G4018	SDGF09*J3060
SDESXRGs541NW22	HDE907*F1702	HFEY07*F1502	NFGL49*M3013	SDGX09*F3000
SDGBXFGS121DW01	HDE907*G3018	HFEY07*F1702	NFGX09*M3013	SDGX09*F3060
SDGBXFGS541DW01	HDE907*G4018	HFG509*F1102	PDE807*G3018	SDGX09*M3013
SDLSXRGs541NQ23	HDEB07*J1502	HFG709*F1102	PDE807*G4018	SFEA07*G3018
SDLSXRGs541NW23	HDEB07*J1702	HFGX09*F1102	PDG809*F3060	SFEL07*G4018
BDG809*F1102	HDEF07*J1502	HFGX09*M3013	PDG809*M3013	SFEL67*G4018
BDG909*F1102	HDEF07*J1702	HFGY09*F1102	SDE007*F3000	SFEX07*F3300
BFEL07*G4018	HDER07*F1502	JDE807*F4350	SDE007*F4350	SFEX07*F4350
BFEX07*F4350	HDER07*F1702	JDE807*F5418	SDE007*G3018	SFEX07*G3018
BFEX07*G4018	HDET07*F1502	JDE807*G3018	SDE107*F3000	SFEX07*G4018
BFGL09*M3013	HDET07*F1702	JDE907*F4350	SDE107*F4350	SFEX67*G4018
BFGX09*F3060	HDEX07*F1502	JDE907*G3018	SDE107*F5412	SFEY07*G4018
BFGX09*M3013	HDEX07*F1702	JDG809*F3060	SDE107*F5417	SFGL09*M3013
FDE807*G3018	HDEX07*F3000	JDG809*M3013	SDE107*G3018	SFGX09*M3013
FDE807*G4018	HDEX07*G3018	JDG809*M3020	SDE107*G4018	UDE007*F3000
GDE807*F5418	HDEY07*F1502	JDG909*F3060	SDE407*F3000	UDE007*F3025
GDE807*G3018	HDEY07*F1702	JDG909*M3013	SDE407*F4350	UDE807*F1702
GDE907*F5418	HDEY07*F99N2	JDG909*M3020	SDE807*F3000	UDG009*F3000
GDE907*G3018	HDEZ07*F1502	KFEG17NF1702	SDE807*F4350	UDG009*F3025
	HDEZ07*F1702	KFEG17NG3018		UDG809*F1102
		KFEG17NG4018		

* Add Letter To Designate Color. G - Gray L - Almond Q - Bisque W - White N - Stainless Steel

Graphic Overlays and Controls - Electromechanical Rear Control Models

Models HDE007*F1702, HDE007*F3000, HDE007*G3003, HDE007*G3008, HDE007*G3010, HDE007*G4008, HDE007*G4010, HDE107*F1502, HDE107*F1702, HDE107*F3000, HDE107*G3003, HDE107*G3018, HDE107*G4018, HDG009*F1102, HDG009*F3000, HDG009*G3008, HDG009*M3008, HDG109*F1102, HDG109*F3000, HDG109*G3013, HDG109*M3013, NDE007*G3018, NDE007*G4018, SDE007*F3000, SDE007*F4350, SDE007*G3018, SDE107*F3000, SDE107*F4350, SDE107*F5412, SDE107*F5417, SDE107*G3018, SDE107*G4018, SDG009*F3000, SDG009*F3058, SDG009*F3060, SDG109*F3000, SDG109*F3058, SDG109*F3060, SDG109*F5412, SDG109*G3013, SDG109*M3013, UDE007*F3000, UDE007*F3025, UDG009*F3000 and UDG009*F3025



DRY1854P_506055

Graphic Overlays and Controls - Electromechanical Rear Control Models

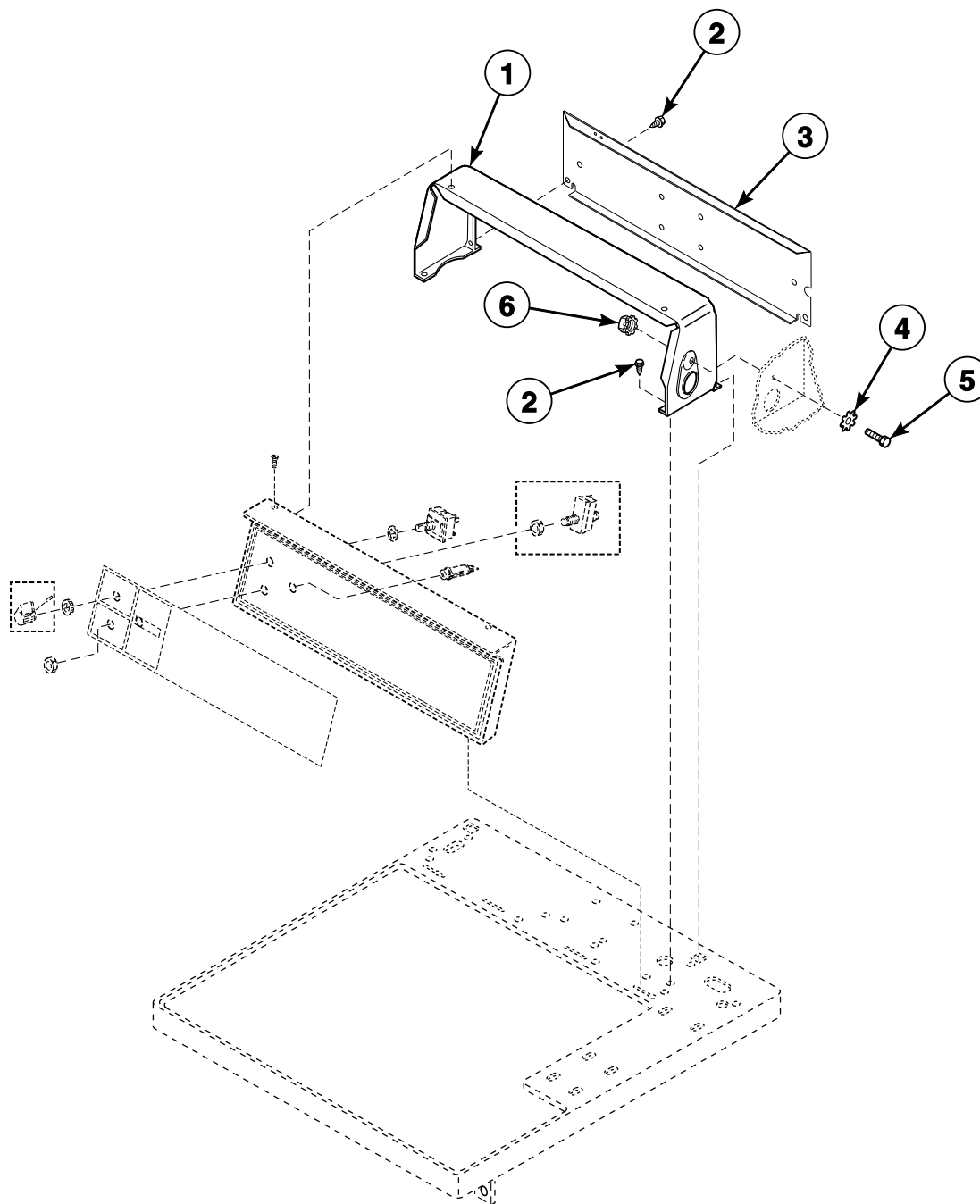
REF	PART NO.	DESCRIPTION	COMMENTS
1	24205	Nut	
2	52864	Screw	
	35528	Screw	Optional for added security
3	91176	Washer	
4	61512	Fabric Selector Switch	
5	55882	Switch Assembly	Includes item 6
6	52947	Nut	
7	38280	Indicator Light	Red; Models HDE007*G3003, HDE007*G3008, HDE007*G3010, HDE007*G4008, HDE007*G4010, HDE107*G3003, HDE107*G3018, HDE107*G4018, HDG009*M3008, HDG109*M3013, NDE007*G3018, NDE007*G4018, SDE007*G3018, SDE107*G3018, SDE107*G4018 and SDG109*M3013
	36967	Light	Green; Models HDG009*G3008, HDG109*G3013 and SDG109*G3013
	32464	Light	White; Models HDE007*F1702, HDE107*F1502, HDE107*F1702, HDG009*F1102 and HDG109*F1102
	32519	Light	Purple; All other models
8	501738W	Control Panel and Bracket Assembly	White
	N/A	Control Panel and Bracket Assembly	Almond
	501738Q	Control Panel and Bracket Assembly	Bisque
9	511898	Graphic Overlay	Models UDE007*F3000, UDE007*F3025, UDG009*F3000 and UDG009*F3025
	511901	Graphic Overlay	Models HDE107*G3018, HDE107*G4018, HDG109*G3013 and HDG109*M3013
	511904	Graphic Overlay	Models HDE007*G3008, HDE007*G3010, HDE007*G4008, HDE007*G4010, HDG009*G3008, HDG009*M3008, NDE007*G3018, NDE007*G4018 and SDE107*G4018
	511897	Graphic Overlay	Models SDE107*F5412, SDE107*F5417 and SDG109*F5412
	511900	Graphic Overlay	Models HDE007*F1702, HDE007*F3000, HDE107*F1502, HDE107*F1702, HDE107*F3000, HDG009*F1102, HDG009*F3000, HDG109*F1102 and HDG109*F3000
	511905	Graphic Overlay	Models HDE007*G3003 and HDE107*G3003
	511896	Graphic Overlay	Models SDE007*G3018, SDE107*G3018, SDG109*G3013 and SDG109*M3013
	511895	Graphic Overlay	All other models
10	39897	Switch Knob	

* Add Letter To Designate Color. G - Gray L - Almond Q - Bisque W - White

N/A = Part no longer available

Control Hood - Electromechanical Rear Control Models

Models HDE007*F1702, HDE007*F3000, HDE007*G3003, HDE007*G3008, HDE007*G3010, HDE007*G4008, HDE007*G4010, HDE107*F1502, HDE107*F1702, HDE107*F3000, HDE107*G3003, HDE107*G3018, HDE107*G4018, HDG009*F1102, HDG009*F3000, HDG009*G3008, HDG009*M3008, HDG109*F1102, HDG109*F3000, HDG109*G3013, HDG109*M3013, NDE007*G3018, NDE007*G4018, SDE007*F3000, SDE007*F4350, SDE007*G3018, SDE107*F3000, SDE107*F4350, SDE107*F5412, SDE107*F5417, SDE107*G3018, SDE107*G4018, SDG009*F3000, SDG009*F3058, SDG009*F3060, SDG109*F3000, SDG109*F3058, SDG109*F3060, SDG109*F5412, SDG109*G3013, SDG109*M3013, UDE007*F3000, UDE007*F3025, UDG009*F3000 and UDG009*F3025



DRY1855P_506055

Control Hood - Electromechanical Rear Control Models

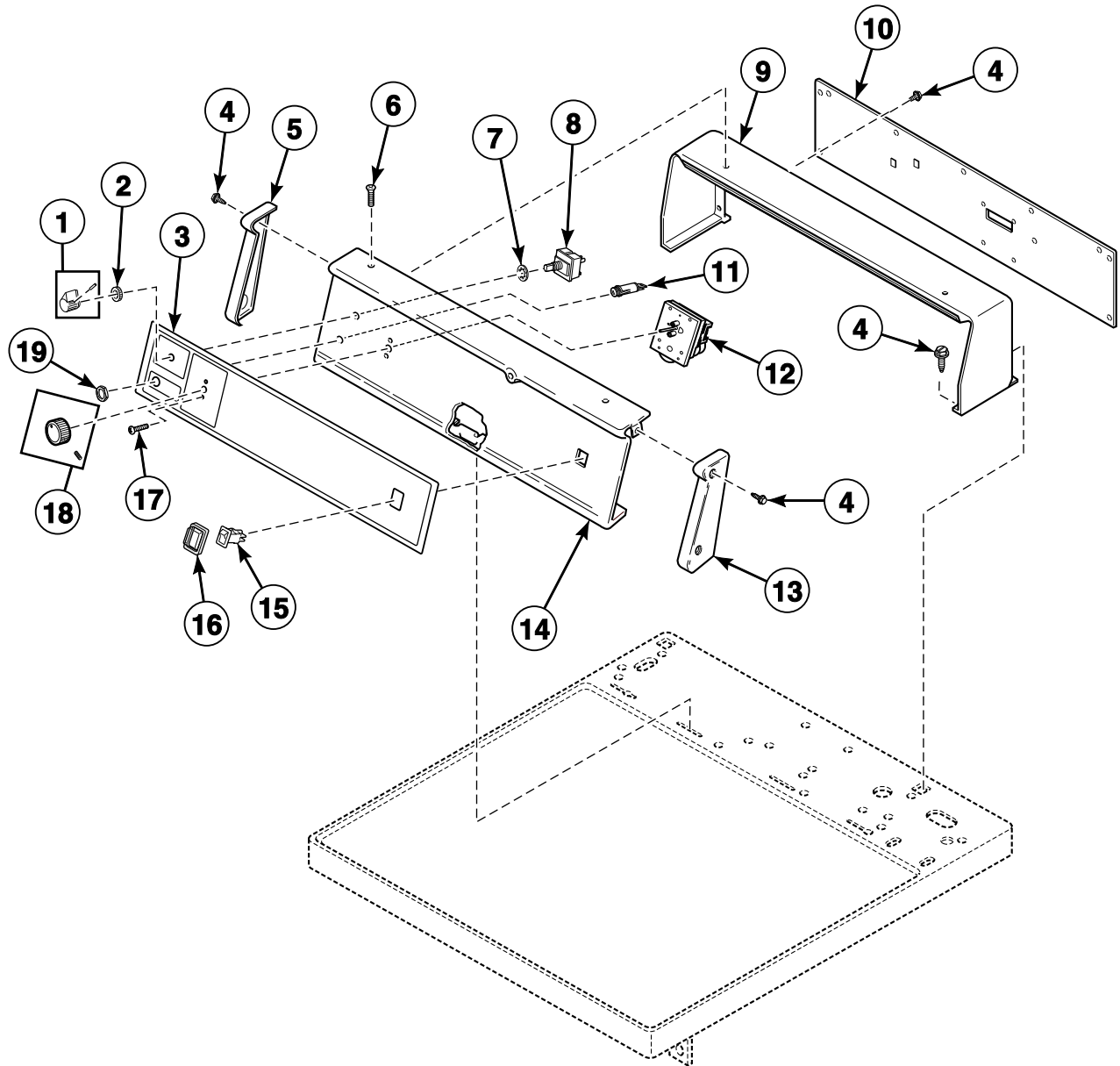
REF	PART NO.	DESCRIPTION	COMMENTS
1	502567W	Control Hood	White
	502567L	Control Hood	Almond
	502567Q	Control Hood	Bisque
2	501086	Screw	
3	N/A	Hood Back Panel	Models HDE007*G3003, HDE007*G3008, HDE007*G3010, HDE007*G4008, HDE007*G4010, HDE107*G3003, HDE107*G3018, HDE107*G4018, HDG009*G3008, HDG009*M3008, HDG109*G3013, HDG109*M3013, NDE007*G3018, NDE007*G4018, SDE007*G3018, SDE107*G3018, SDE107*G4018, SDG109*G3013, SDG109*M3013 and UDE007*F3025
	505798	Hood Back Plate	All other models
4	M400017	Washer	
5	02916	Screw	
6	29786	Nut	

* Add Letter To Designate Color. **G - Gray** **L - Almond** **Q - Bisque** **W - White**

N/A = Part no longer available

Control Panel, Control Hood and Controls - Nonmetered Rear Control Models

Models BDEMNRGS431AW01, BDGMNRGS301AW01, BDG809*F1102, FDE807*G3018, FDE807*G4018, GDE807*F5418, GDE807*G3018, HDE807*F1702, HDG809*F1102, JDE807*F4350, JDE807*F5418, JDE807*G3018, JDG809*F3060, JDG809*M3013, JDG809*M3020, NDE807*F3022, NDE807*F5422, NDE807*G3018, NDE807*G4018, NDG809*F3022, NDG809*F5422, PDE807*G3018, PDE807*G4018, PDG809*F3060, PDG809*M3013, SDE807*F3000, SDE807*F4350, SDG809*F3060, UDE807*F1702 and UDG809*F1102



DRY2099P_506055

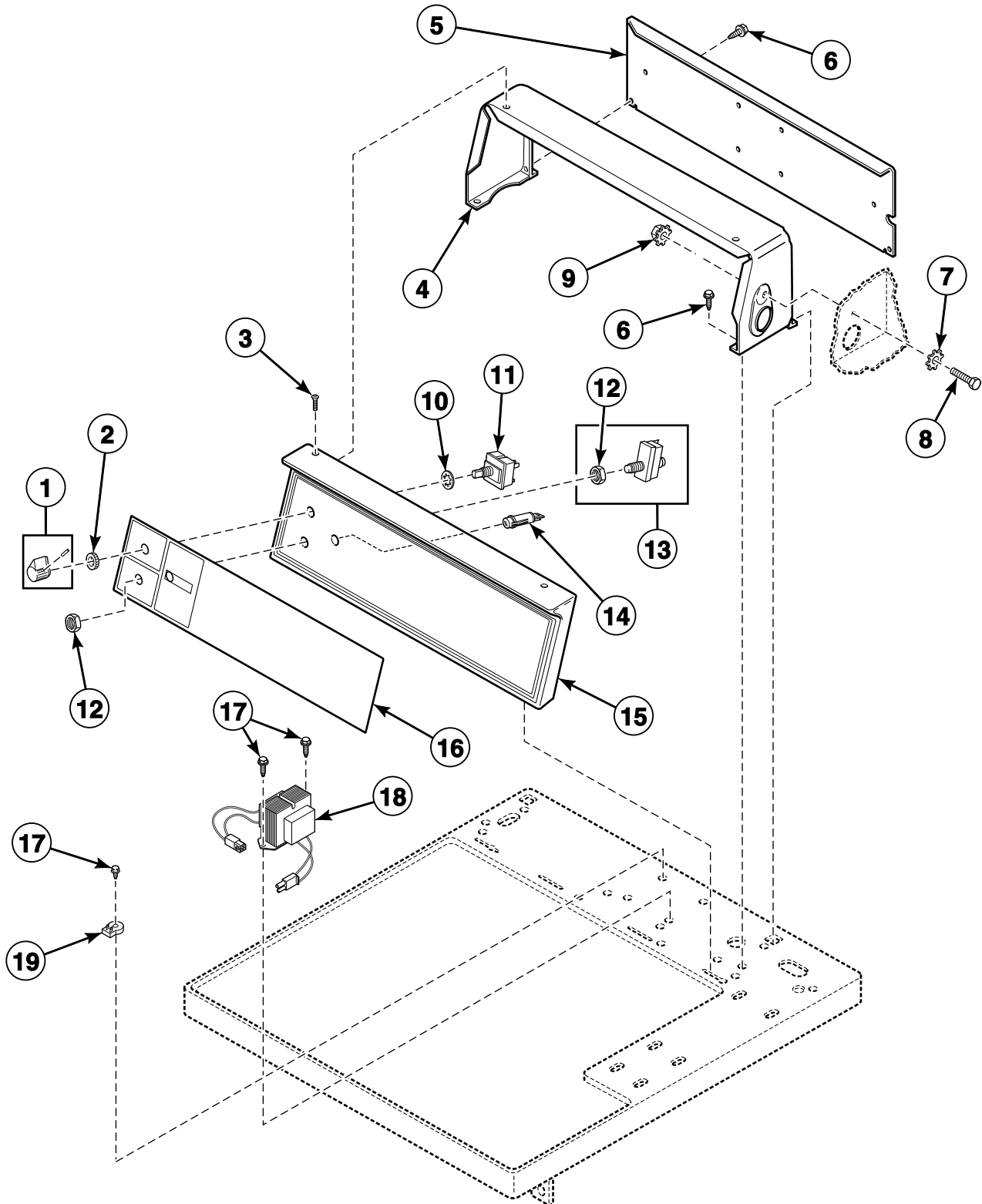
Control Panel, Control Hood and Controls - Nonmetered Rear Control Models

REF	PART NO.	DESCRIPTION	COMMENTS
1	39897	Switch Knob	
2	24205	Nut	
3	512679	Control Panel Overlay	Models JDE807*F4350, JDE807*F5418, JDE807*G3018, JDG809*F3060, JDG809*M3013 and JDG809*M3020
	512368	Control Panel Overlay	Models SDE807*F3000, SDE807*F4350 and SDG809*F3060
	512927	Control Panel Overlay	Models BDEMNRGS431AW01 and BDGMNRGS301AW01
	512487	Overlay	Models HDE807*F1702 and HDG809*F1102
	512927	Control Panel Overlay	Model BDG809*F1102
	512849	Graphic Overlay	Models FDE807*G3018, FDE807*G4018, PDE807*G3018, PDE807*G4018, PDG809*F3060 and PDG809*M3013
	512491	Overlay	Models NDE807*F3022, NDE807*F5422, NDE807*G3018, NDE807*G4018, NDG809*F3022 and NDG809*F5422
	512492	Overlay	Models GDE807*F5418 and GDE807*G3018
	513604	Control Panel Overlay	Models UDE807*F1702 and UDG809*F1102
4	501086	Screw	
5	210109W	End Cap	Left
6	52864	Screw	Phillips head
	35528	Screw	Torx head
7	91176	Washer	
8	61512	Fabric Selector Switch	
9	511253W	Control Hood	White
	511253L	Control Hood	Almond
	511253Q	Control Hood	Bisque
10	804884	Rear Panel	Model PDG809*F3060
	511254	Rear Panel	All other models
11	32464	Light	Models BDG809*F1102, HDE807*F1702, HDG809*F1102, UDE807*F1702 and UDG809*F1102
	32519	Light	Models BDEMNRGS431AW01, BDGMNRGS301AW01, JDE807*F4350, JDG809*F3060, PDG809*F3060, SDE807*F4350 and SDG809*F3060
	38280	Indicator Light	All other models
12	510524P	Timer	120 Volt/60 Hertz; Models BDG809*F1102, HDE807*F1702, HDG809*F1102, UDE807*F1702 and UDG809*F1102
	511985P	Timer	240 Volt/60 Hertz; Models GDE807*F5418, JDE807*F5418, NDE807*F5422 and NDG809*F5422
	510525P	Timer	240 Volt/50 Hertz; All other models
13	210108W	End Cap	Right
14	512533W	Control Panel Assembly	White
	512533Q	Control Panel Assembly	Bisque
15	70455101	Rocker Switch	Refer to instructions supplied with part for proper installation
16	512870P	Push-to-Start Switch Boot	
17	27328	Screw	
18	54678	Timer Knob	
19	52947	Nut	

* Add Letter To Designate Color. L - Almond Q - Bisque W - White

Control Panel and Control Hood - Coin Slide Rear Control Models

Models SDESXRG151CW02, SDESXRG171CW02, SDESXRG541NW22, SDLSXRG541NQ23, SDLSXRG541NW23, BDG909*F1102, GDE907*F5418, GDE907*G3018, HDE907*F1502, HDE907*F1702, HDE907*G3018, HDE907*G4018, HDG909*F1102, JDE907*F4350, JDE907*G3018, JDG909*F3060, JDG909*M3013, JDG909*M3020, NDE907*F3022, NDE907*F5422, NDG909*F3022, NDG909*F5422, SDE907*F3000, SDE907*F4350, SDE907*F5412, SDE907*G3018, SDE907*G4018, SDG909*F3060, SDG909*F5412 and SDG909*M3013



DRY2055P_506055

Control Panel and Control Hood - Coin Slide Rear Control Models

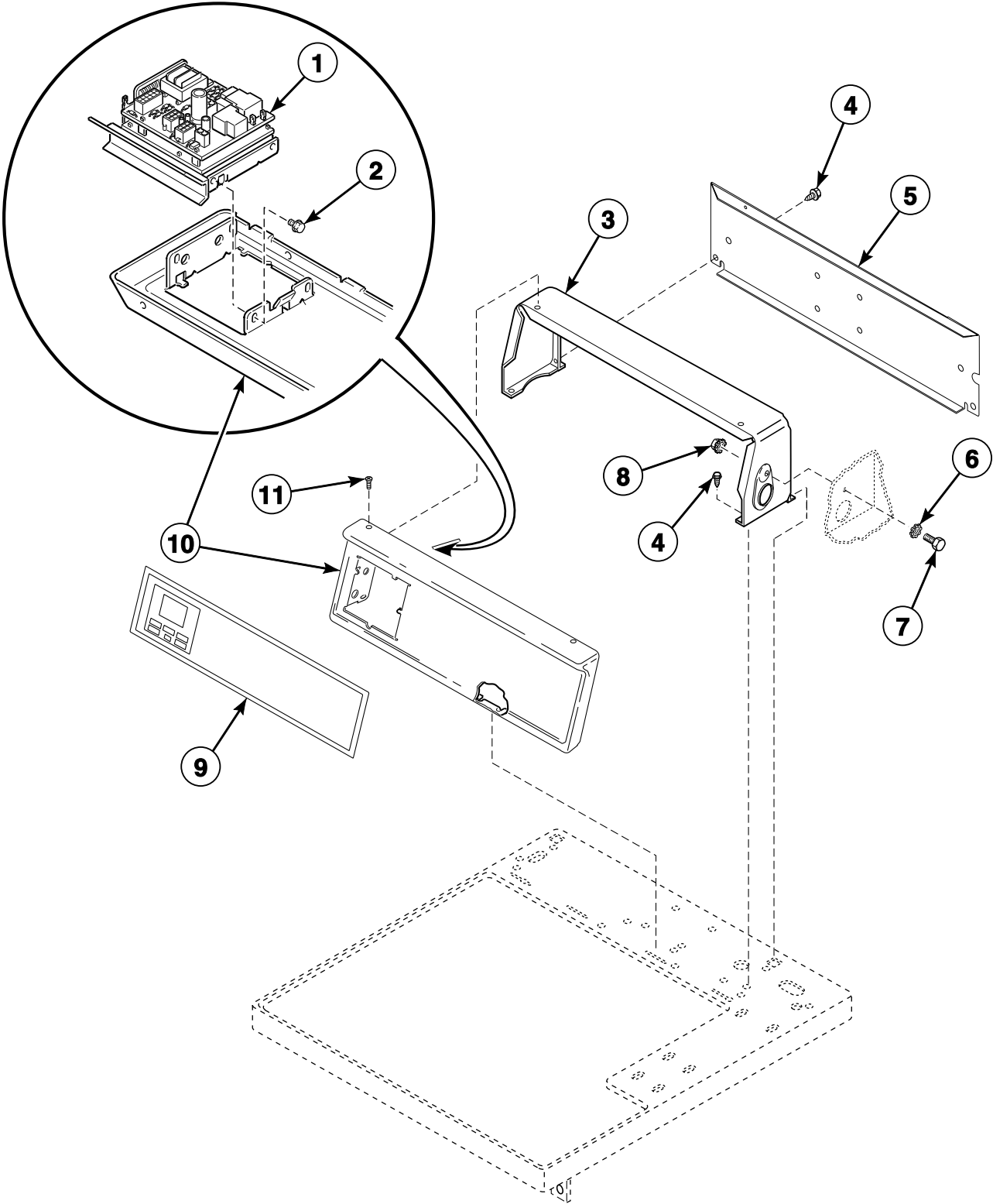
REF	PART NO.	DESCRIPTION	COMMENTS
1	39897	Switch Knob	
2	24205	Nut	
3	52864	Screw	
	35528	Screw	Optional for added security
4	502567W	Control Hood	White
	502567L	Control Hood	Almond
	502567Q	Control Hood	Bisque
5	505798	Hood Back Plate	
6	501086	Screw	
7	M400017	Washer	
8	02916	Screw	
9	29786	Nut	
10	91176	Washer	
11	511711	Temperature Selector Switch	
12	52947	Nut	
13	55882	Switch Assembly	Includes item 12
14	801431	Light	
15	501738W	Control Panel and Bracket Assembly	White
	N/A	Control Panel and Bracket Assembly	Almond
	501738Q	Control Panel and Bracket Assembly	Bisque
16	512490	Control Panel Overlay	Models HDE907*F1502, HDE907*F1702, HDE907*G3018, HDE907*G4018 and HDG909*F1102
	512677	Control Panel Overlay	Models JDE907*F4350, JDE907*G3018, JDG909*F3060, JDG909*M3013 and JDG909*M3020
	512865	Control Panel Overlay	Model BDG909*F1102
	512495	Graphic Overlay	Models GDE907*F5418 and GDE907*G3018
	513146	Control Overlay	Models NDE907*F3022, NDE907*F5422, NDG909*F3022 and NDG909*F5422
	511897	Graphic Overlay	Models SDE907*F5412 and SDG909*F5412
	512489	Control Panel Overlay	All other models
17	503661	Screw	
18	201587P	Transformer	Models BDG909*F1102, HDE907*F1502, HDE907*F1702 and HDG909*F1102
	201616P	Transformer	All other models
19	210100	Resistor	All models except BDG909*F1102, HDE907*F1502, HDE907*F1702 and HDG909*F1102

* Add Letter To Designate Color. L - Almond Q - Bisque W - White

N/A = Part no longer available

Control Panel and Controls - Electronic Rear Control Models

Models HDE507*F1502, HDE507*F1702, HDE707*F1502, HDE707*F1702, HDG509*F1102, HDG709*F1102, SDE407*F3000, SDE407*F4350, SDG409*F3000 and SDG409*F3058



D389PE3A_506055

Control Panel and Controls - Electronic Rear Control Models

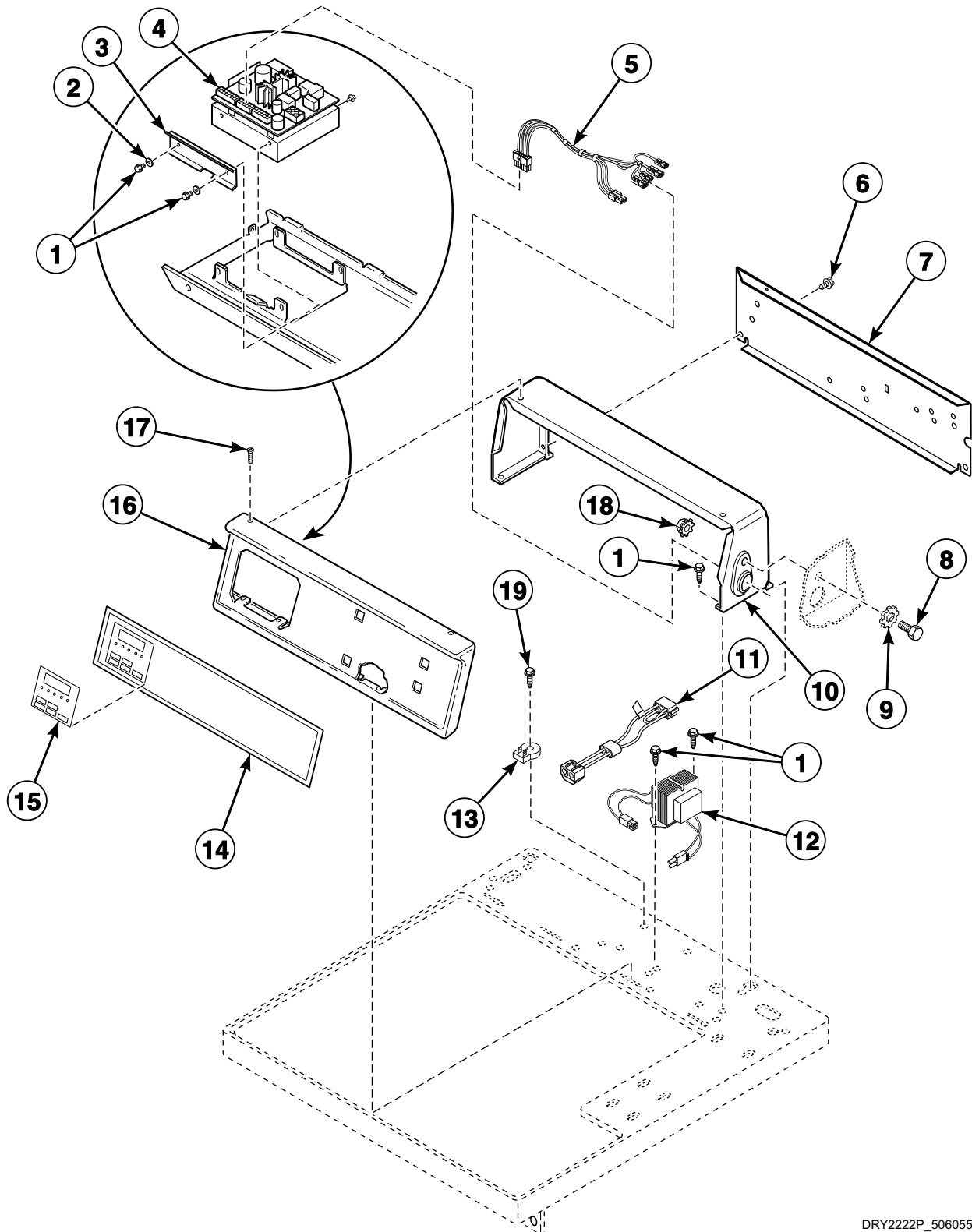
REF	PART NO.	DESCRIPTION	COMMENTS
1	M414050P	Control Kit	120 Volt; Model and serial number of machine required - part no longer available for units built prior to 1/1/04 per field bulletin FB15-164
	M411883P	Control Kit	240 Volt; Model and serial number of machine required - part no longer available for units built prior to 1/1/04 per field bulletin FB15-164
2	501524	Screw	
3	502567W	Control Hood	White
	502567L	Control Hood	Almond
	502567Q	Control Hood	Bisque
4	501086	Screw	
5	505798	Hood Back Plate	
6	M400017	Washer	
7	02916	Screw	
8	52566	Nut	
9	504113	Graphic Overlay	Models SDE407*F3000, SDE407*F4350, SDG409*F3000 and SDG409*F3058
	N/A	Graphic Overlay	All other models
10	501359W	Control Panel	White
	501359Q	Control Panel	Bisque
11	52864	Screw	Phillips head
	35528	Screw	Torx head; Optional for added security

* Add Letter To Designate Color. L - Almond Q - Bisque W - White

N/A = Part no longer available

Control Panel and Controls - Rear Control Coin Drop Models

Models BDGBXRG301AW01, HDEBXRG301FW28, NDEBXRG301NW22, SDEBXRG301NW22, HDEB07*J1502, HDEB07*J1702, HDER07*F1502, HDER07*F1702, HDET07*F1502, HDET07*F1702, HDEX07*F1502, HDEX07*F1702, HDEX07*F3000, HDEX07*G3018, HDEZ07*F1502, HDEZ07*F1702, HDGB09*J1102, HDGR09*F1102, HDGT09*F1102, HDGX09*F1102, HDGX09*F3000, HDGX09*M3013, HDGZ09*F1102, SDEA07*J3000, SDEA07*J4350, SDEX07*F3000, SDEX07*F4350, SDEX07*G3018, SDEX07*G4018, SDGX09*F3000, SDGX09*F3060 and SDGX09*M3013



DRY2222P_506055

Control Panel and Controls - Rear Control Coin Drop Models

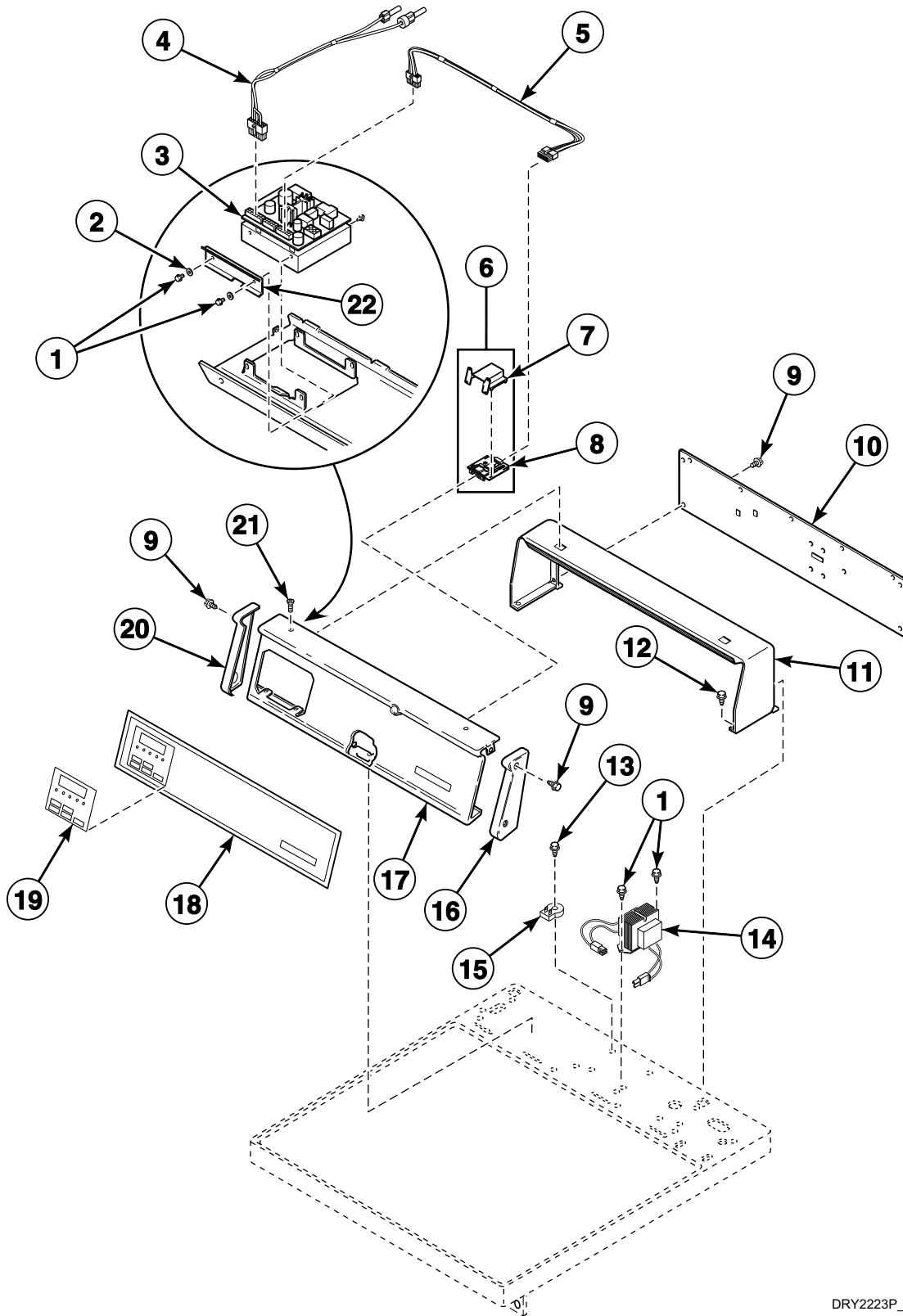
REF	PART NO.	DESCRIPTION	COMMENTS
	905P3	Security Kit	Hood lock
1	501524	Screw	Models HDEX07*G3018, HDGX09*M3013, SDEX07*G3018, SDEX07*G4018 and SDGX09*M3013
	503688	Screw	All other models
2	200608	Washer	
3	510083	Control Shield	
4	505905P	Control Kit	Models HDEB07*J1502, HDEB07*J1702, HDGB09*J1102, SDEA07*J3000 and SDEA07*J4350
	511867P	Control Assembly	All other models
5	802905	Harness Assembly	Coin drop
6	501086	Screw	
7	N/A	Hood Back Panel	Models BDGBXRG301AW01, HDGX09*F3000, SDGX09*F3000 and SDGX09*F3060
	505798	Hood Back Plate	All other models
8	02916	Screw	
9	M400017	Washer	
10	502567W	Control Hood	White
	502567L	Control Hood	Almond
	502567Q	Control Hood	Bisque
11	M413507	Jumper Configuration Assembly	Attaches to 210019 Transformer; Models BDGBXRG301AW01, NDEBXRGS301NW22, SDEBXRGS301NW22, HDEX07*G3018, HDGX09*M3013, SDEX07*G3018, SDEX07*G4018, SDGX09*F3060 and SDGX09*M3013
12	803527P	Transformer	Models BDGBXRG301AW01, HDEX07*F3000, HDEX07*G3018, HDGX09*F3000, HDGX09*M3013, SDEA07*J3000, SDEA07*J4350, SDEX07*F3000, SDEX07*F4350, SDEX07*G3018, SDEX07*G4018, SDGX09*F3000, SDGX09*F3060 and SDGX09*M3013; Models HDEX07*F1502, HDEX07*F1702 and HDGX09*F1102 through Serial No. 0409
	201375P	Transformer	Some models may have jumper wire attached to transformer. Discard jumper wire when replacing transformer; Models HDER07*F1502, HDER07*F1702, HDEX07*F1502, HDEX07*F1702, HDGR09*F1102 and HDGX09*F1102 starting Serial No. 0409; Model HDEBXRGS171FW28
	210018P	Transformer	All other models
13	210100	Resistor	
14	511233	Graphic Overlay	Models HDEB07*J1502, HDEB07*J1702 and HDGB09*J1102
	510070	Graphic Overlay	Models SDEA07*J3000 and SDEA07*J4350
	511429	MDC Overlay	Models NDEBXRGS301NW22, SDEBXRGS301NW22, SDEX07*F3000, SDEX07*F4350, SDGX09*F3000 and SDGX09*F3060
	513036	MDC Overlay	Model BDGBXRG301AW01
	511486	MDC Overlay	Models SDEX07*G3018, SDEX07*G4018 and SDGX09*M3013
	N/A	Graphic Overlay	Models HDEX07*G3018 and HDGX09*M3013
15	511431	MDC Overlay	All other models
	513546	Overlay	French/English; Models HDER07*F1502, HDER07*F1702, HDET07*F1502, HDET07*F1702, HDEX07*F1502, HDEX07*F1702, HDEZ07*F1502, HDEZ07*F1702, HDGR09*F1102, HDGT09*F1102, HDGX09*F1102 and HDGZ09*F1102
16	510067W	Control Panel	White
	510067L	Control Panel	Almond
	510067Q	Control Panel	Bisque
17	52864	Screw	Phillips head
	35528	Screw	Torx head
18	52566	Nut	
19	503661	Screw	

* Add Letter To Designate Color. L - Almond Q - Bisque W - White

N/A = Part no longer available

Control Panel and Controls - Rear Control Card Models

Models HDEF07*J1502, HDEF07*J1702, HDEY07*F1502, HDEY07*F1702,
HDEY07*F99N2, HDGF09*J1102, HDGY09*F1102, SDEF07*J4350 and SDGF09*J3060



DRY2223P_506055

Control Panel and Controls - Rear Control Card Models

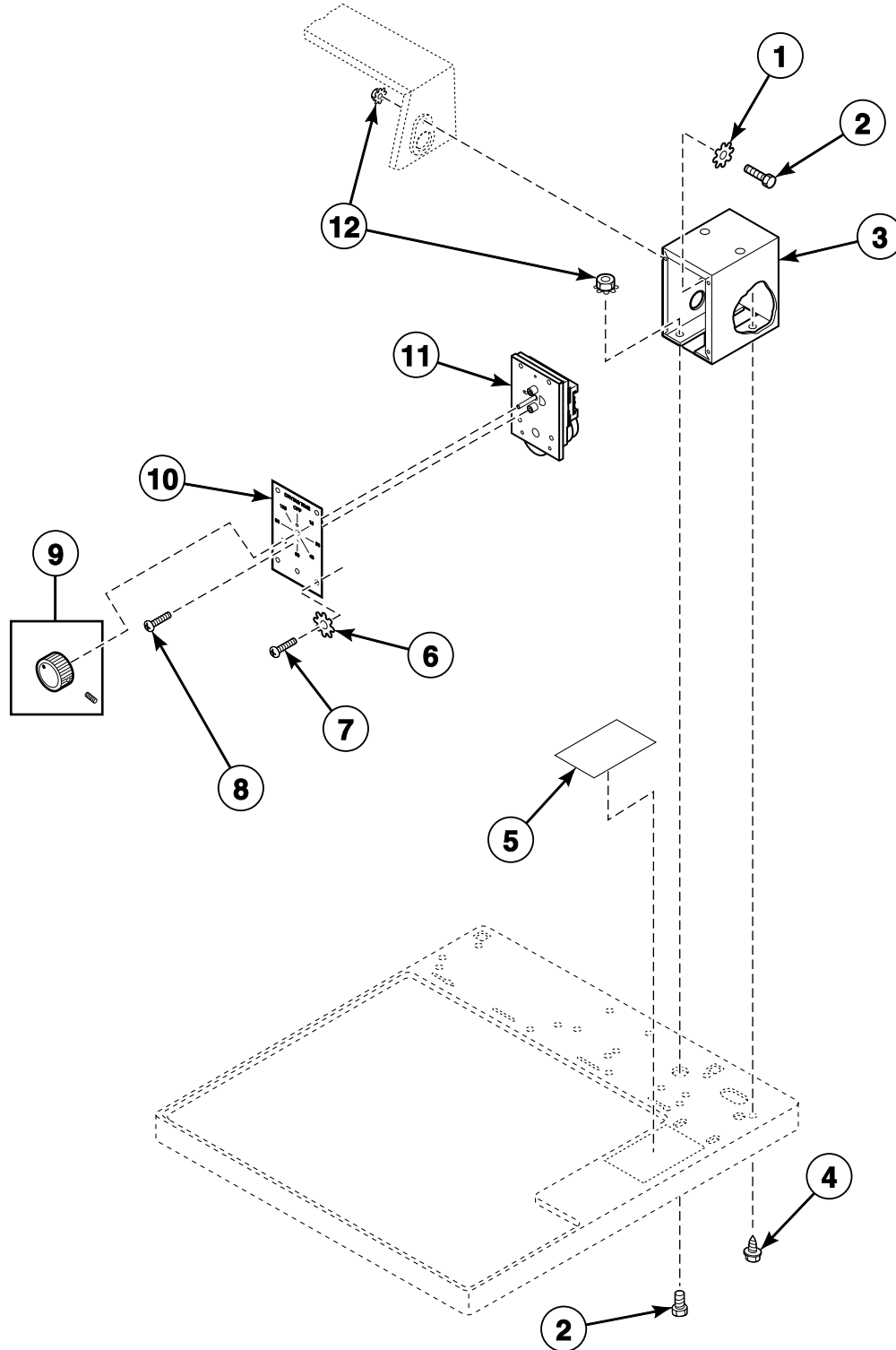
REF	PART NO.	DESCRIPTION	COMMENTS
	905P3	Security Kit	Hood lock
1	503688	Screw	
2	200608	Washer	
3	511867P	Control Assembly	Models HDEY07*F1502, HDEY07*F1702, HDEY07*F99N2 and HDGY09*F1102
	505905P	Control Kit	All other models
4	800680	Diagnostic Wire Harness Assembly	
5	800125P	Card Reader Wire Harness Assembly	
6	210045P	Card Reader Assembly	Models HDEF07*J1502, HDEF07*J1702, HDGF09*J1102, SDEF07*J4350 and SDGF09*J3060
7	510068P	Card Reader and Bracket Assembly	Models HDEF07*J1502, HDEF07*J1702, HDGF09*J1102, SDEF07*J4350 and SDGF09*J3060
8	210023	Card Reader Bracket	Includes items 7 and 8; Models HDEF07*J1502, HDEF07*J1702, HDGF09*J1102, SDEF07*J4350 and SDGF09*J3060
9	501086	Screw	
10	505798	Hood Back Plate	Model SDEF07*J4350
	511254	Rear Panel	All other models
11	511253L	Control Hood	Almond
	511253Q	Control Hood	Bisque
12	02916	Screw	
13	503661	Screw	
14	803527P	Transformer	Model SDEF07*J4350; Models HDEY07*F1502, HDEY07*F1702, HDEY07*F99N2 and HDGY09*F1102 through Serial No. 0409
	201375P	Transformer	Some models may have jumper wire attached to transformer. Discard jumper wire when replacing transformer; Models HDEY07*F1502, HDEY07*F1702, HDEY07*F99N2 and HDGY09*F1102 starting Serial No. 0409
	210018P	Transformer	All other models
15	210100	Resistor	
16	210108W	End Cap	Right
17	511055W	Control Panel	White
	511055L	Control Panel	Almond
	511055Q	Control Panel	Bisque
18	N/A	Graphic Overlay	Models HDEF07*J1502, HDEF07*J1702 and HDGF09*J1102
	510113	Graphic Overlay	Models SDEF07*J4350 and SDGF09*J3060
	511508	Control Panel Overlay	Models HDEY07*F1502, HDEY07*F1702, HDEY07*F99N2 and HDGY09*F1102
19	513546	Overlay	French/English; Models HDEY07*F1502, HDEY07*F1702, HDEY07*F99N2 and HDGY09*F1102
20	210109W	End Cap	Left
21	52864	Screw	Phillips head
	35528	Screw	Torx head
22	N/A	Control Shield	

* Add Letter To Designate Color. L - Almond Q - Bisque W - White

N/A = Part no longer available

Timer and Timer Case - Nonmetered Rear Control Models

Models HDE007*F1702, HDE007*F3000, HDE007*G3003, HDE007*G3008, HDE007*G3010, HDE007*G4008, HDE007*G4010, HDG009*F1102, HDG009*F3000, HDG009*G3008, HDG009*M3008, NDE007*G3018, NDE007*G4018, SDE007*F3000, SDE007*F4350, SDE007*G3018, SDG009*F3000, SDG009*F3058, SDG009*F3060, UDE007*F3000, UDE007*F3025, UDG009*F3000 and UDG009*F3025



DRY1796P_506055

Timer and Timer Case - Nonmetered Rear Control Models

REF	PART NO.	DESCRIPTION	COMMENTS
1	M400017	Washer	
2	02916	Screw	
3	37733W	Timer Case Assembly	
4	501086	Screw	
5	500490	Instruction Plate	Models HDE007*F1702, HDE007*F3000, HDG009*F1102, HDG009*F3000, SDE007*F3000, SDE007*F4350, SDG009*F3000, SDG009*F3058, SDG009*F3060, UDE007*F3000, UDE007*F3025, UDG009*F3000 and UDG009*F3025
	502783	Instruction Label	Models HDE007*G3003, HDE007*G3008, HDE007*G3010, HDE007*G4008, HDE007*G4010, HDG009*G3008, HDG009*M3008, NDE007*G3018, NDE007*G4018 and SDE007*G3018
6	21734	Washer	
7	51778	Screw	
8	27328	Screw	
9	54678	Timer Knob	
10	502797W	Timer Plate Assembly	Models HDE007*G3003, HDE007*G3008, HDE007*G3010, HDE007*G4008, HDE007*G4010, HDG009*G3008, HDG009*M3008, NDE007*G3018, NDE007*G4018 and SDE007*G3018
	500921W	Timer Plate Assembly	All other models
11	510524P	Timer	120 Volt/60 Hertz; Models HDE007*F1702 and HDG009*F1102
	N/A	Timer	24 Volt; Model HDG009*G3008
	510525P	Timer	240 Volt/50 Hertz; All other models
12	29786	Nut	

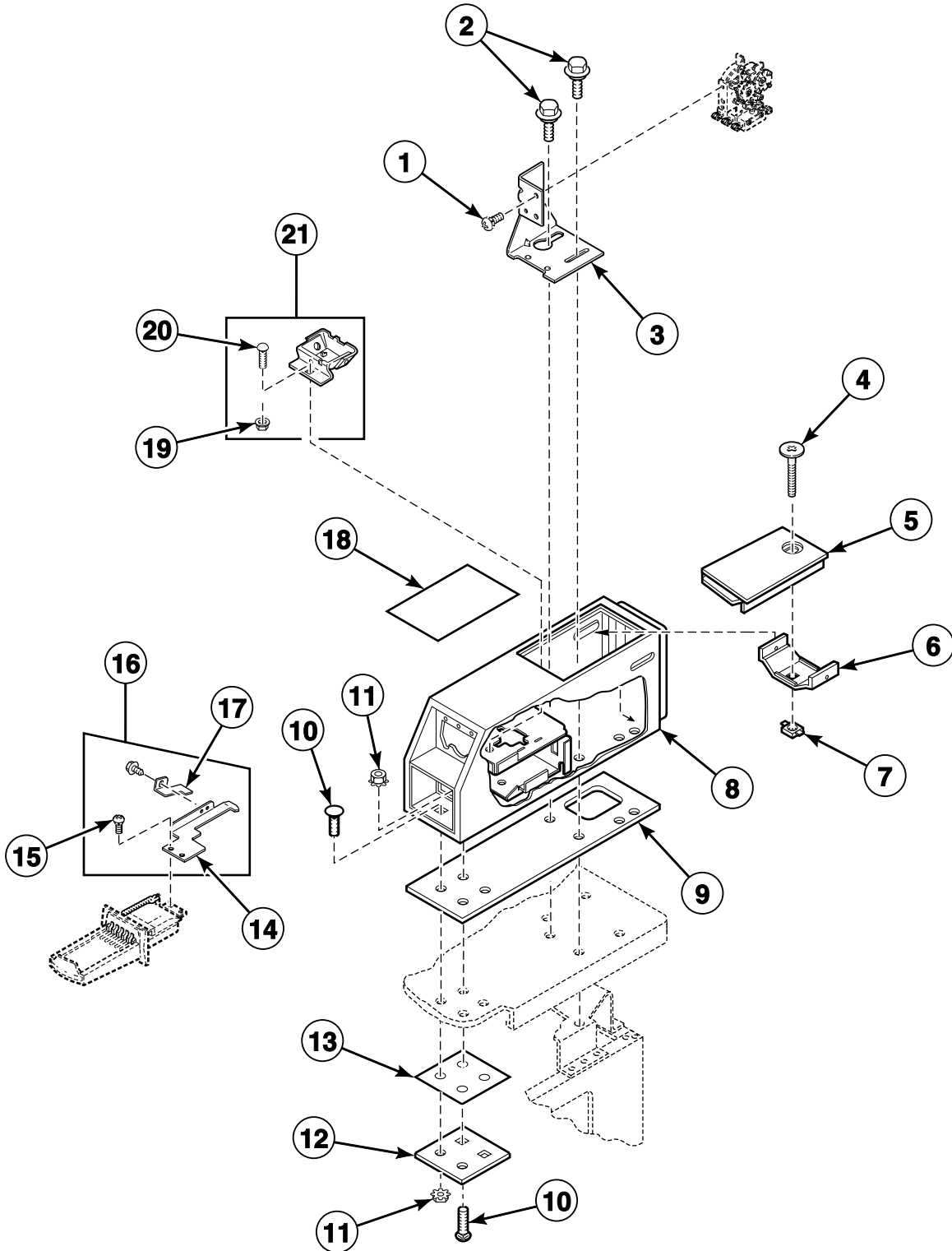
* Add Letter To Designate Color. G - Gray L - Almond Q - Bisque W - White

N/A = Part no longer available

Short Vault Coin Slide Extension and Meter Case - Coin Slide Rear Control Models

Models Through Serial No. 0210004099

Models HDE107*F1502, HDE107*F1702, HDE107*F3000, HDE107*G3003, HDE107*G3018, HDE107*G4018,
HDG109*F1102, HDG109*F3000, HDG109*G3013, HDG109*M3013, SDE107*F3000, SDE107*F4350, SDE107*F5412,
SDE107*F5417, SDE107*G3018, SDE107*G4018, SDG109*F3000, SDG109*F3058, SDG109*F3060, SDG109*F5412,
SDG109*G3013 and SDG109*M3013



DRY1804P_506055

Short Vault Coin Slide Extension and Meter Case - Coin Slide Rear Control Models

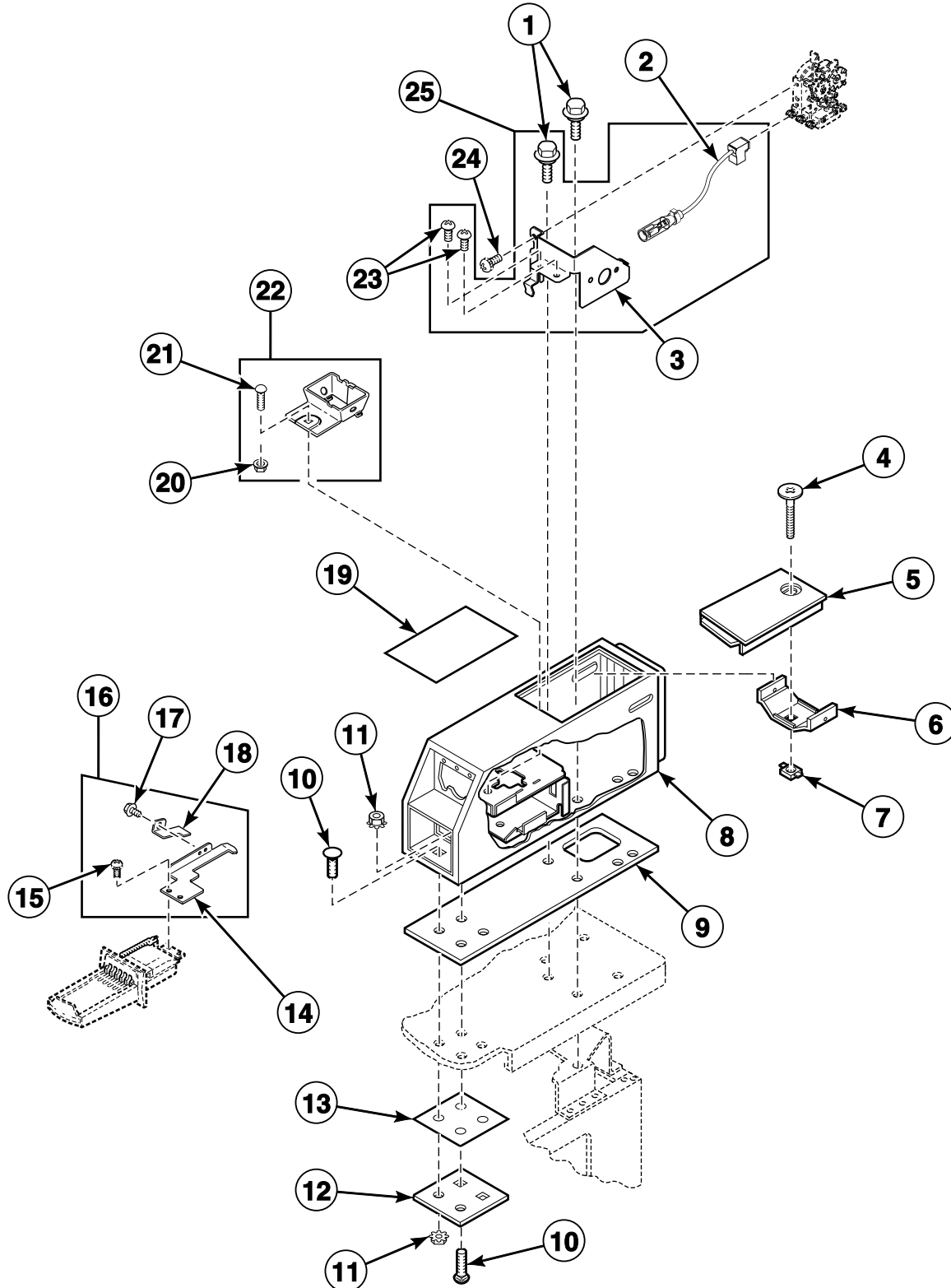
REF	PART NO.	DESCRIPTION	COMMENTS
1	03203	Screw	
2	502431	Screw	
3	N/A	Timer Bracket	
4	503673	Screw	
5	39874WP	Service Door Assembly	White
	39874LP	Service Door Assembly	Almond
	39874QP	Service Door Assembly	Bisque
6	30642	Meter Case Locking Bracket	
7	30647	Nut	
8	524P3W	Meter Case and Funnel Kit	White; Includes items 9-13 and 21; Replaces 56944* and 57368* Meter Cases
	524P3L	Meter Case and Funnel Kit	Almond; Includes items 9-13 and 21; Replaces 56944* and 57368* Meter Cases
	524P3Q	Meter Case and Funnel Kit	Bisque; Includes items 9-13 and 21; Replaces 56944* and 57368* Meter Cases
9	26354	Meter Case Gasket	
10	02505	Bolt	
11	29786	Nut	
12	35525	Meter Case Lockdown Bracket	
13	35526	Meter Case Bracket Gasket	
14	503733	Coin Slide Extension	
15	N/A	Screw	
16	553P3	Slide Extension Kit	Includes items 14, 15 and 17
17	501796	Slide Extension Modifier	
18	500628	Instruction Label	
19	29796	Nut	
20	29651	Bolt	
21	523P3	Coin Funnel Kit	Includes items 19 and 20

* Add Letter To Designate Color. L - Almond Q - Bisque W - White
N/A = Part no longer available

Long Vault Coin Slide Extension and Meter Case - Coin Slide Rear Control Models

Models Starting Serial No. 0210004100

Models HDE107*F1502, HDE107*F1702, HDE107*F3000, HDE107*G3003, HDE107*G3018, HDE107*G4018,
HDG109*F1102, HDG109*F3000, HDG109*G3013, HDG109*M3013, SDE107*F3000, SDE107*F4350, SDE107*F5412,
SDE107*F5417, SDE107*G3018, SDE107*G4018, SDG109*F3000, SDG109*F3058, SDG109*F3060, SDG109*F5412,
SDG109*G3013 and SDG109*M3013



DRY1801P_506055

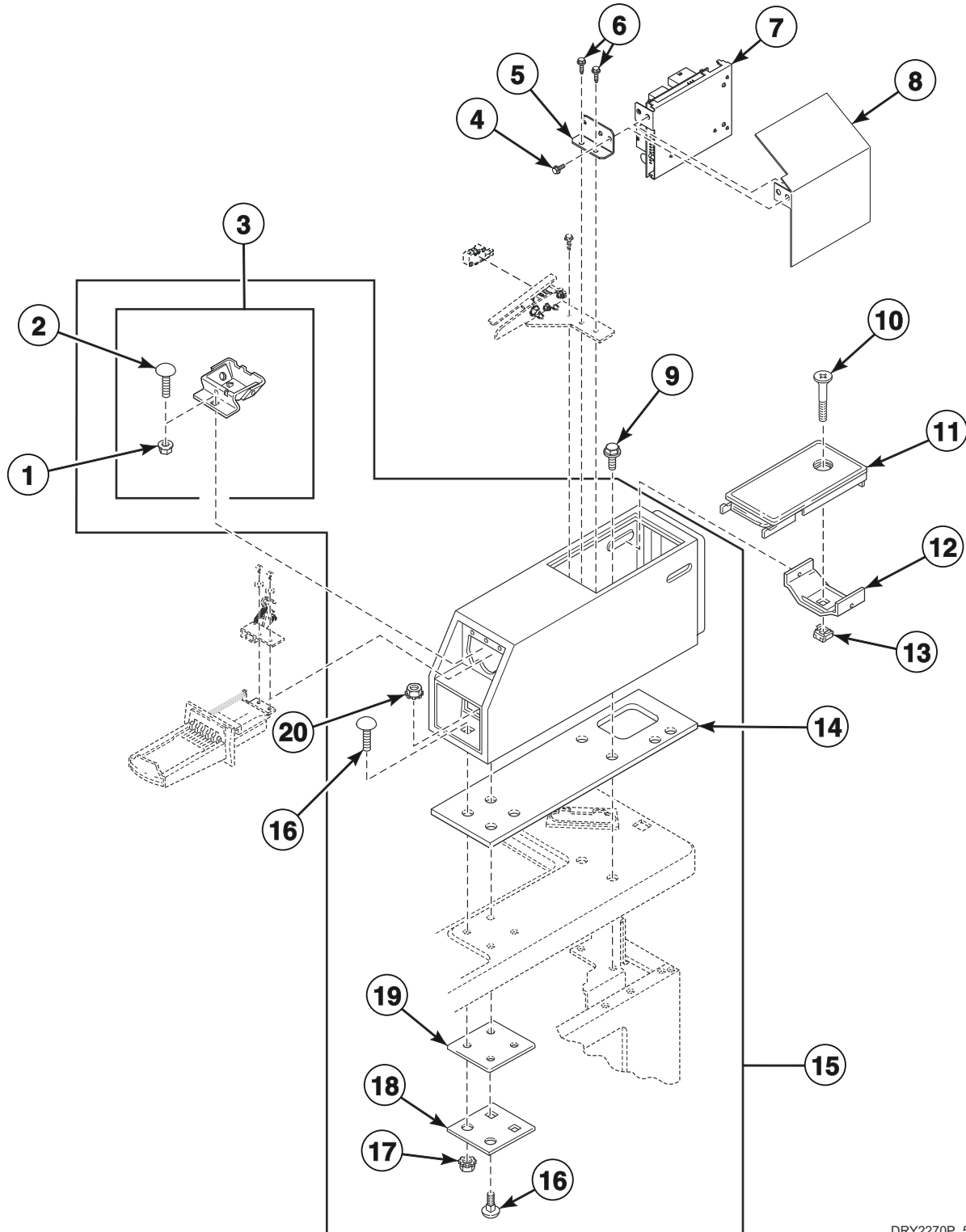
Long Vault Coin Slide Extension and Meter Case - Coin Slide Rear Control Models

REF	PART NO.	DESCRIPTION	COMMENTS
	201280P	Mechanical Counter Kit Assembly	
1	36048	Screw	
2	511589	Wire Accumulator Assembly	
3	200832	Long Vault Timer Bracket	
4	503673	Screw	
5	39874WP	Service Door Assembly	White
	39874LP	Service Door Assembly	Almond
	39874QP	Service Door Assembly	Bisque
6	30642	Meter Case Locking Bracket	
7	30647	Nut	
8	201010WP	Meter Case Kit	White; Includes items 9-13 and 22
	201010LP	Meter Case Kit	Almond; Includes items 9-13 and 22
	201010QP	Meter Case Kit	Bisque; Includes items 9-13 and 22
9	26354	Meter Case Gasket	
10	02505	Bolt	
11	29786	Nut	
12	35525	Meter Case Lockdown Bracket	
13	35526	Meter Case Bracket Gasket	
14	506114	Coin Slide Extension	
15	511419	Screw	
16	788P3	Long Vault Slide Extension Kit	Includes items 14, 15, 17 and 18
17	501086	Screw	
18	501796	Slide Extension Modifier	
19	500628	Instruction Label	
20	29796	Nut	
21	29651	Bolt	
22	523P3	Coin Funnel Kit	Includes items 20 and 21
23	503688	Screw	Self tapping
24	03203	Screw	
25	789P3	Long Vault Timer Bracket Kit	Includes items 1-3 and 23

* Add Letter To Designate Color. L - Almond Q - Bisque W - White

Control, Meter Case and Service Door - Coin Slide Rear Control Models

Models NDEBXRGS301NW22, SDEBXRGS301NW22, SDESXRGS151CW02, SDESXRGS171CW02, SDESXRGS541NW22, SDLSXRGS541NQ23, SDLSXRGS541NW23, BDG909*F1102, GDE907*F5418, GDE907*G3018, HDE907*F1502, HDE907*F1702, HDE907*G3018, HDE907*G4018, HDG909*F1102, JDE907*F4350, JDE907*G3018, JDG909*F3060, JDG909*M3013, JDG909*M3020, NDE907*F3022, NDE907*F5422, NDG909*F3022, NDG909*F5422, SDE907*F3000, SDE907*F4350, SDE907*F5412, SDE907*G3018, SDE907*G4018, SDG909*F3060, SDG909*F5412 and SDG909*M3013



DRY2270P_506055

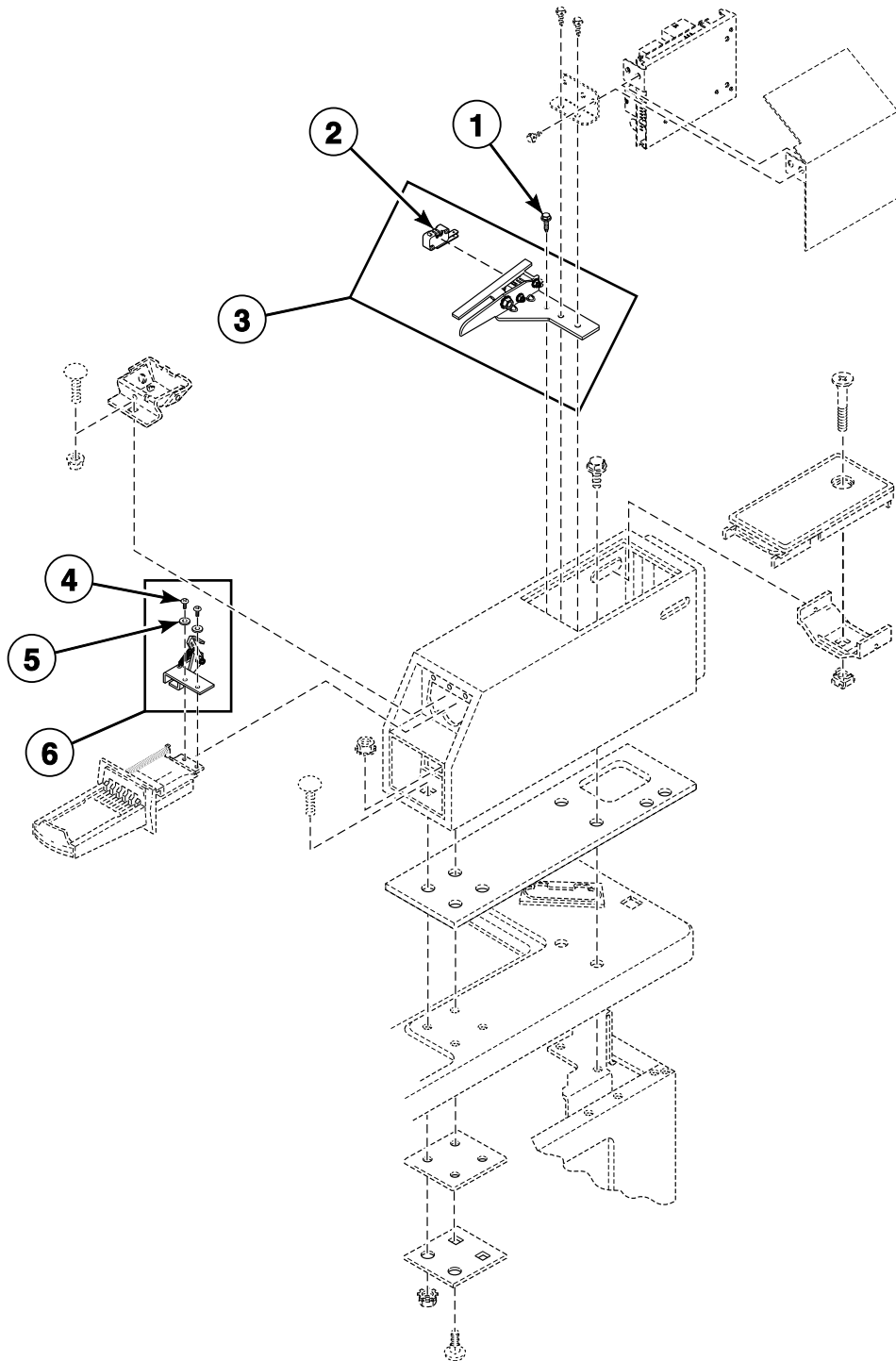
Control, Meter Case and Service Door - Coin Slide Rear Control Models

REF	PART NO.	DESCRIPTION	COMMENTS
1	29796	Nut	
2	29651	Bolt	
3	523P3	Coin Funnel Kit	
4	501524	Screw	
5	201581	Chassis Mounting Bracket	
6	503688	Screw	
7	513139P	Control Assembly	
8	510083	Control Shield	Models NDEBXRGS301NW22 and SDEBXRGS301NW22
	512304	Control Shield	All other models
9	36048	Screw	
10	503673	Screw	
11	39874WP	Service Door Assembly	White
	39874QP	Service Door Assembly	Bisque
12	30642	Meter Case Locking Bracket	
13	30647	Nut	
14	26354	Meter Case Gasket	
15	38724W	Meter Case Assembly	White; Includes items 3, 14 and 16-20; Models NDEBXRGS301NW22 and SDEBXRGS301NW22
	803051W	Meter Case Assembly	White; Includes items 3, 14 and 16-20; Models SDESXRG151CW02 and SDESXRG171CW02
	201010WP	Meter Case Kit	White; Includes items 3, 14 and 16-20; All other models
	201010QP	Meter Case Kit	Bisque; Includes items 3, 14 and 16-20; All other models
16	02505	Bolt	
17	29786	Nut	
18	35525	Meter Case Lockdown Bracket	
19	35526	Meter Case Bracket Gasket	
20	802337	Nut	

* Add Letter To Designate Color. L - Almond Q - Bisque W - White

Coin Slide Extension Through Serial No. 1211 - Coin Slide Rear Control Models

Models SDESXRG541NW22, SDLSXRG541NQ23, SDLSXRG541NW23, BDG909*F1102, GDE907*F5418, GDE907*G3018, HDE907*F1502, HDE907*F1702, HDE907*G3018, HDE907*G4018, HDG909*F1102, JDE907*F4350, JDE907*G3018, JDG909*F3060, JDG909*M3013, JDG909*M3020, NDE907*F3022, NDE907*F5422, NDG909*F3022, NDG909*F5422, SDE907*F3000, SDE907*F4350, SDE907*F5412, SDE907*G3018, SDE907*G4018, SDG909*F3060, SDG909*F5412 and SDG909*M3013



DRY2270PA_506055

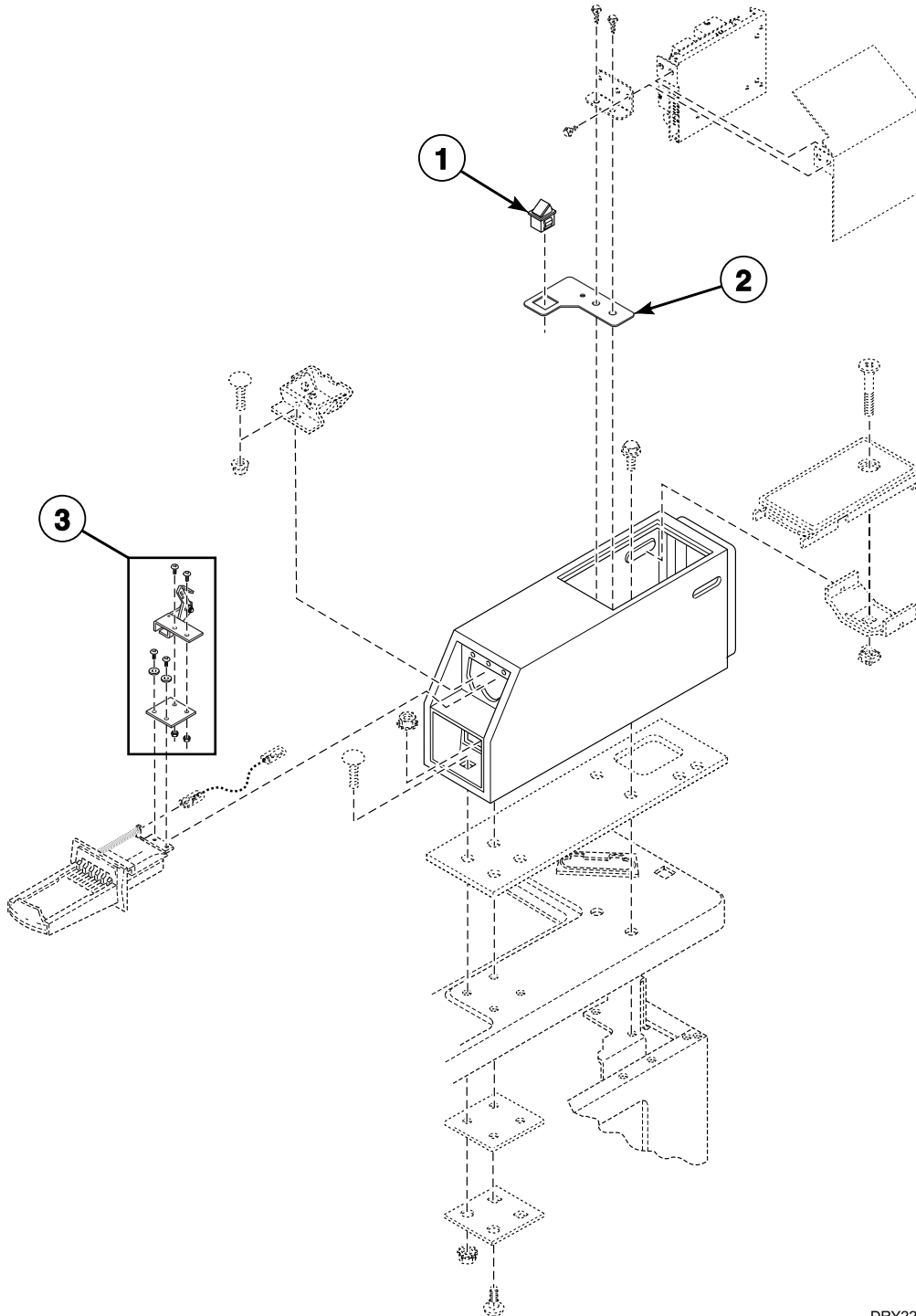
Coin Slide Extension Through Serial No. 1211 - Coin Slide Rear Control Models

REF	PART NO.	DESCRIPTION	COMMENTS
1	51782	Screw	
2	201952	Switch	
3	201917P	Switch Mount Assembly	Includes item 2; Some models may have a 3/16 inch spade terminal on the coin slide switch; When replacing switch mount assembly on these models, the control wire harness must also be replaced
4	27328	Screw	
5	03815	Washer	
6	514228	Coin Slide Extension Kit	

* Add Letter To Designate Color. L - Almond Q - Bisque W - White

Coin Slide Extension Starting Serial No. 1211 - Coin Slide Rear Control Models

Models SDESXRG5151CW02, SDESXRG5171CW02, SDESXRG5541NW22, SDLSXRG5541NQ23, SDLSXRG5541NW23, BDG909*F1102, GDE907*F5418, GDE907*G3018, HDE907*F1502, HDE907*F1702, HDE907*G3018, HDE907*G4018, HDG909*F1102, JDE907*F4350, JDE907*G3018, JDG909*F3060, JDG909*M3013, JDG909*M3020, NDE907*F3022, NDE907*F5422, NDG909*F3022, NDG909*F5422, SDE907*F3000, SDE907*F4350, SDE907*F5412, SDE907*G3018, SDE907*G4018, SDG909*F3060, SDG909*F5412 and SDG909*M3013



DRY2275P_506055

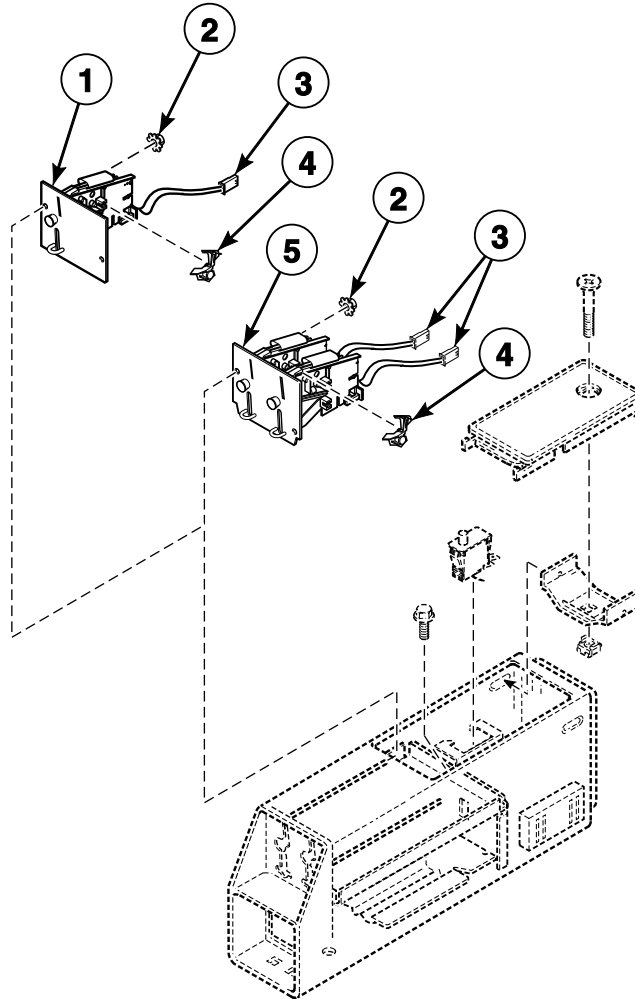
Coin Slide Extension Starting Serial No. 1211 - Coin Slide Rear Control Models

REF	PART NO.	DESCRIPTION	COMMENTS
1	431159	Switch	
2	803662	Bracket	
3	200913	Coin Slide Extension Kit	Includes spring and items 1 and 2
	804794	Spring	

* Add Letter To Designate Color. L - Almond Q - Bisque W - White

Non-Electronic Coin Drop - Rear Control Models

Models BDGBXRG301AW01, HDEBXRG3171FW28, HDE507*F1502, HDE507*F1702, HDEB07*J1502, HDEB07*J1702, HDER07*F1502, HDER07*F1702, HDET07*F1502, HDET07*F1702, HDEX07*F1502, HDEX07*F1702, HDEX07*F3000, HDEX07*G3018, HDEZ07*F1502, HDEZ07*F1702, HDG509*F1102, HDGB09*J1102, HDGR09*F1102, HDGT09*F1102, HDGX09*F1102, HDGX09*F3000, HDGX09*M3013, HDGZ09*F1102, SDE407*F3000, SDE407*F4350, SDEA07*J3000, SDEA07*J4350, SDEX07*F3000, SDEX07*F4350, SDEX07*G3018, SDEX07*G4018, SDG409*F3000, SDG409*F3058, SDGX09*F3000, SDGX09*F3060 and SDGX09*M3013



DRY2094P_506055

Non-Electronic Coin Drop - Rear Control Models

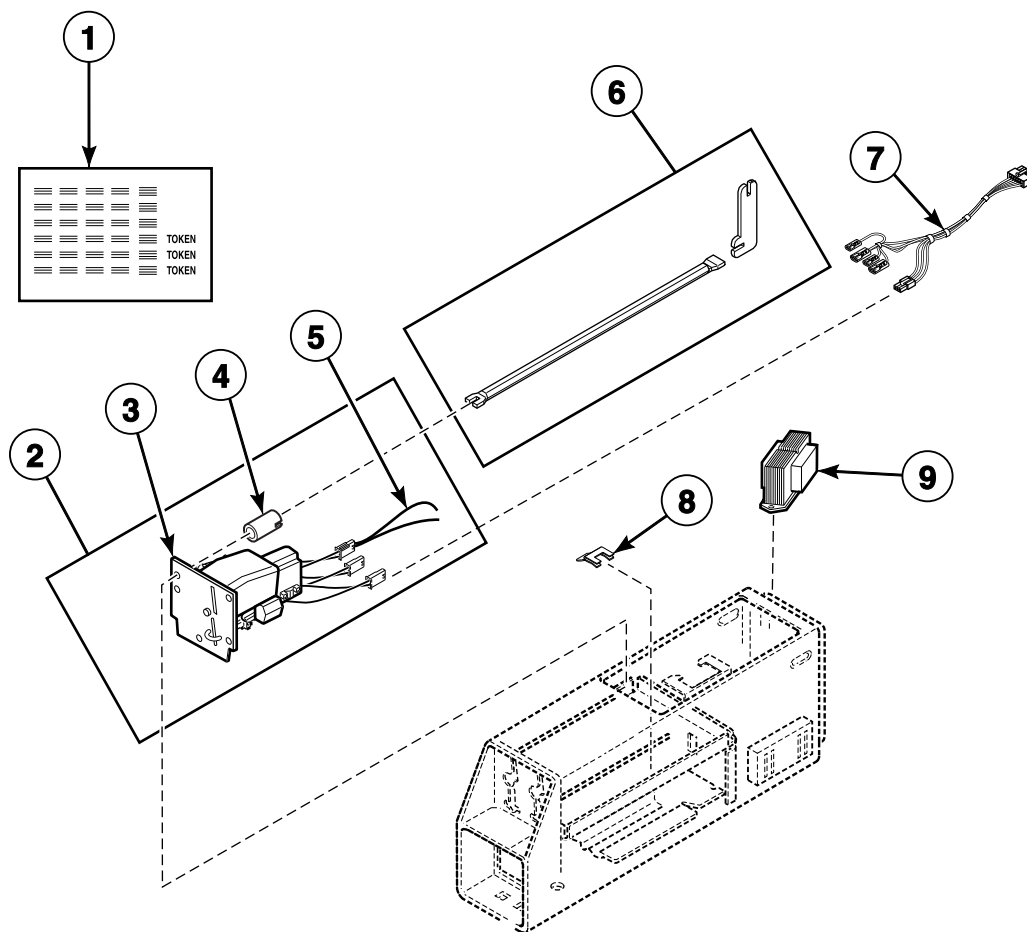
REF	PART NO.	DESCRIPTION	COMMENTS
1	38462P	Coin Drop Assembly	Token; 118-1 mzp; .880 diameter x .079 thick; Brass
	38463	Coin Drop Assembly	Token; 118-5 mzp; .990 diameter x .081 thick; Silver
	38464P	Coin Drop Assembly	Canada; .25
	38475	Coin Drop Assembly	Japan; 100 yen
	CK077	Coin Drop Kit	Taiwan; 10 NT
	70441601P	Coin Drop	U.S.; \$.25
	38963P	Coin Drop	Token 118-16 not available; Replacement for 38963P Coin Drop only
	CK114	Coin Drop Assembly	Singapore; Old 1.00
	CK123	Coin Drop Assembly	Singapore; New 1.00
2	29786	Nut	
3	200674P	Opto Coupler	
4	201595P	Wire Guard	Anti-stringing security device; Add to coin drops beginning January 2005
5	70441602	Coin Drop Assembly	Canada; .25 and 1.00
	38467	Coin Drop Assembly	Australia; .20 and 1.00
	N/A	Coin Drop Assembly	Belgium, Denmark, France, Italy and Taiwan coins
	38472	Coin Drop Assembly	England; 20 pence and 1 pound
	38519	Coin Drop Assembly	Japan; 100 and 500 yen
	38521	Coin Drop Assembly	Korea; 100 and 500 won
	N/A	Coin Drop Assembly	New Zealand; .20 and 1.00
	70482401	Coin Drop Assembly	New Zealand; 1.00 and 2.00
	39157	Coin Drop Assembly	Israel; 1 and 5 shekel

* Add Letter To Designate Color. L - Almond Q - Bisque W - White

N/A = Part no longer available

Electronic Coin Drop - Rear Control Models

Models BDGBXRG301AW01, HDEBXRGS171FW28, HDEB07*J1502, HDEB07*J1702, HDER07*F1502, HDER07*F1702, HDET07*F1502, HDET07*F1702, HDEX07*F1502, HDEX07*F1702, HDEX07*F3000, HDEX07*G3018, HDEZ07*F1502, HDEZ07*F1702, HDGB09*J1102, HDGR09*F1102, HDGT09*F1102, HDGX09*F1102, HDGX09*F3000, HDGX09*M3013, HDGZ09*F1102, SDEA07*J3000, SDEA07*J4350, SDEX07*F3000, SDEX07*F4350, SDEX07*G3018, SDEX07*G4018, SDGX09*F3000, SDGX09*F3060 and SDGX09*M3013



DRY2156P_506055

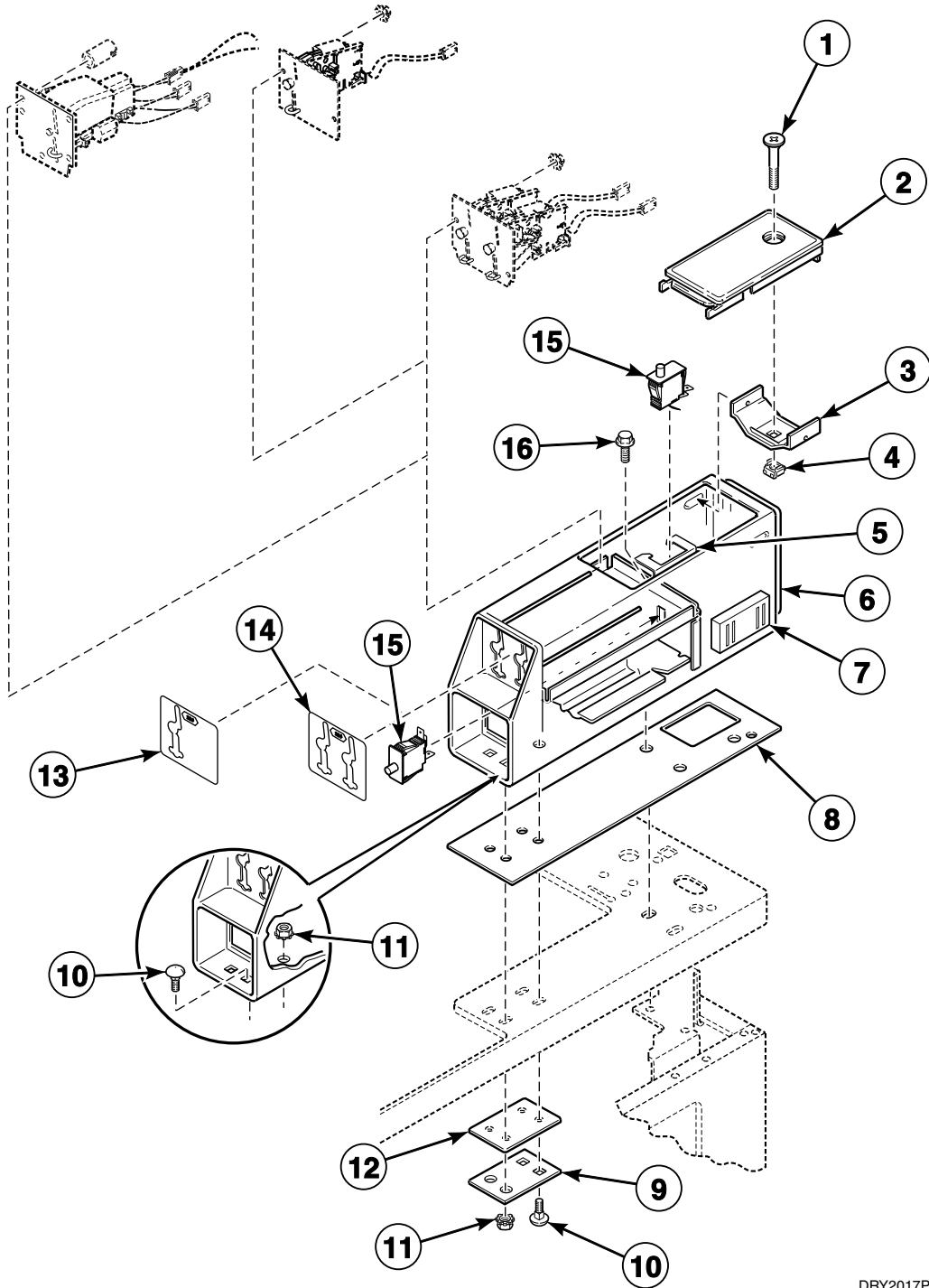
Electronic Coin Drop - Rear Control Models

REF	PART NO.	DESCRIPTION	COMMENTS
1	38725	Coin Identification Paper	For use with items 2 and 3
2	CK099	Electronic Coin Drop Kit	Includes items 3-5; Australia, New Zealand, Hong Kong and South Korea coins
	CK100	Electronic Coin Drop Kit	Includes items 3-5; Euro and Great Britain coins
	CK101	Electronic Coin Drop Kit	Includes items 3-5; Euro, Denmark and Norway coins
	CK103	Electronic Coin Drop Kit	Includes items 3-5; Euro, Lithuania and Latvia coins
	CK106	Electronic Coin Drop Kit	Includes items 3-5; Malaysia, Russia, China and Singapore coins
	CK108	Electronic Coin Drop Kit	Includes items 3-5; South Africa coins
	CK109	Electronic Coin Drop Kit	Includes items 3-5; Euro coins
	CK110	Electronic Coin Drop Kit	Includes items 3-5; Mexico, Ecuador and United States coins
	CK113	Electronic Coin Drop Kit	Includes items 3-5; Japan and Taiwan coins
	CK115	Electronic Coin Drop Kit	Includes items 3-5; United States and Canada coins
	CK120	Electronic Coin Drop Kit	Includes items 3-5; Chile coins
	CK121	Electronic Coin Drop Kit	Includes items 3-5; Singapore coins
3	70294103P	Electronic Coin Drop Assembly	Euro and Great Britain coins
	70294104	Electronic Coin Drop Assembly	Euro, Denmark and Norway coins
	70294105P	Electronic Coin Drop Assembly	Australia, New Zealand, Hong Kong, South Korea and Malaysia coins
	70294106	Electronic Coin Drop Assembly	Mexico, Ecuador and United States coins
	70294107	Electronic Coin Drop Assembly	Euro, Lithuania and Latvia coins
	70294109	Electronic Coin Drop Assembly	Malaysia, Russia, China and Singapore coins
	70294110	Electronic Coin Drop Assembly	South Africa coins
	70294111	Electronic Coin Drop Assembly	Euro coins
	70294120	Electronic Coin Drop Assembly	Chile coins
	70294121	Electronic Coin Drop Assembly	Singapore coins
4	201216	Nut	For use with items 2 and 3
5	201104	Coin Drop Wire Harness	For use with items 2 and 3; All models except BDGBXRG301AW01, HDEBXRGS171FW28, HDER07*F1502, HDER07*F1702, HDEX07*F1502, HDEX07*F1702, HDGR09*F1102, HDGX09*F1102, SDEX07*F3000, SDEX07*F4350 and SDGX09*F3060 starting Serial No. 0904
6	CK096	Mounting Tool Kit	For use with items 2 and 3
7	802905	Harness Assembly	Electronic coin drop requires this harness. If unit is not factory-equipped with this harness, it must be ordered separately.
8	201572	Clip	For use with items 2 and 3
9	201375P	Transformer	Electronic coin drop requires this transformer. If unit is not factory-equipped with this transformer, it must be ordered separately.

* Add Letter To Designate Color. L - Almond Q - Bisque W - White

Meter Case - Rear Control Coin Drop Models

Models BDGBXRG301AW01, HDEBXRG301FW28, HDE507*F1502, HDE507*F1702, HDEB07*J1502, HDEB07*J1702, HDER07*F1502, HDER07*F1702, HDET07*F1502, HDET07*F1702, HDEX07*F1502, HDEX07*F1702, HDEX07*F3000, HDEX07*G3018, HDEZ07*F1502, HDEZ07*F1702, HDG509*F1102, HDGB09*J1102, HDGR09*F1102, HDGT09*F1102, HDGX09*F1102, HDGX09*F3000, HDGX09*M3013, HDGZ09*F1102, SDE407*F3000, SDE407*F4350, SDEA07*J3000, SDEA07*J4350, SDEX07*F3000, SDEX07*F4350, SDEX07*G3018, SDEX07*G4018, SDG409*F3000, SDG409*F3058, SDGX09*F3000, SDGX09*F3060 and SDGX09*M3013



DRY2017PA_506055

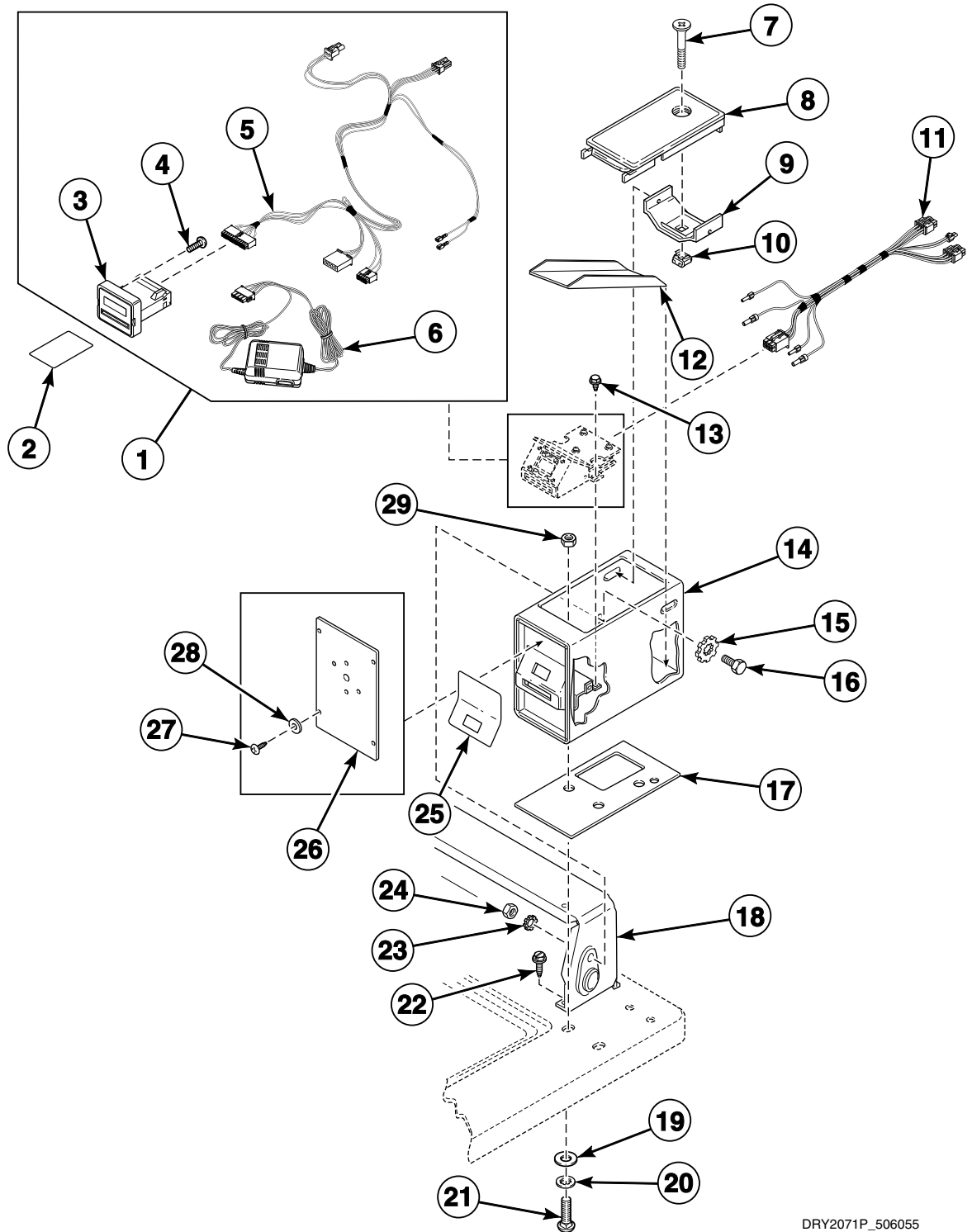
Meter Case - Rear Control Coin Drop Models

REF	PART NO.	DESCRIPTION	COMMENTS
1	503673	Screw	
2	39874WP	Service Door Assembly	White
	39874LP	Service Door Assembly	Almond
	39874QP	Service Door Assembly	Bisque
3	30642	Meter Case Locking Bracket	
4	30647	Nut	
5	38087	Door Switch Bracket	Models BDGBXRG301AW01, HDEX07*G3018, HDGX09*M3013, SDEX07*G3018, SDEX07*G4018, SDGX09*F3060 and SDGX09*M3013
6	802505W	Meter Case Assembly	White; For electronic coin drop; Models HDER07*F1502, HDER07*F1702 and HDGR09*F1102
	802505Q	Meter Case Assembly	Bisque; For electronic coin drop; Models HDER07*F1502, HDER07*F1702 and HDGR09*F1102
	38724W	Meter Case Assembly	White; All other models
	38724L	Meter Case Assembly	Almond; All other models
	38724Q	Meter Case Assembly	Bisque; All other models
7	38571	Multiplier Assembly	Models HDE507*F1502 and HDG509*F1102
8	26354	Meter Case Gasket	
9	35525	Meter Case Lockdown Bracket	
10	02505	Bolt	
11	29786	Nut	
12	35526	Meter Case Bracket Gasket	
13	38717	Single Overlay	For non-electronic coin drops
	201091	Overlay	For electronic coin drops
14	39073	Dual Overlay	
15	512973	Switch	
16	36048	Screw	

* Add Letter To Designate Color. L - Almond Q - Bisque W - White

Card Reader and Security Case - Rear Control Models

Models HDE707*F1502, HDE707*F1702 and HDG709*F1102



DRY2071P_506055

Card Reader and Security Case - Rear Control Models

REF	PART NO.	DESCRIPTION	COMMENTS
1	874P3	Card Reader Kit	Includes items 3-6 and 15
2	512499P	Programming Card	
3	512473	Card Reader	
4	512504	Screw	
5	512501	Harness	
6	512496	Power Supply	
7	503673	Screw	
8	37733W	Timer Case Assembly	Use with item 1
	39874WP	Service Door Assembly	White; Use with 39685 Card Reader
	39874LP	Service Door Assembly	Almond; Use with 39685 Card Reader
	39874QP	Service Door Assembly	Bisque; Use with 39685 Card Reader
9	30642	Meter Case Locking Bracket	
10	30647	Nut	
11	38191	Card Reader Wire Harness Assembly	
12	N/A	Shield	
13	503688	Screw	
14	38145L	Security Case Assembly	Almond
	N/A	Security Case Assembly	White
15	M400017	Washer	
16	02916	Screw	
17	N/A	Security Case Gasket	
18	502567W	Control Hood	White
	502567L	Control Hood	Almond
	502567Q	Control Hood	Bisque
19	23225	Washer	Vinyl
20	30627	Washer	
21	02505	Bolt	
22	23962	Screw	
23	02431	Washer	
24	52566	Nut	
25	38192	Card Reader Instruction Overlay	
26	39481W	Timer Plate	Use with item 1
27	51778	Screw	Use with item 1
28	21734	Washer	Use with item 1
29	29786	Nut	

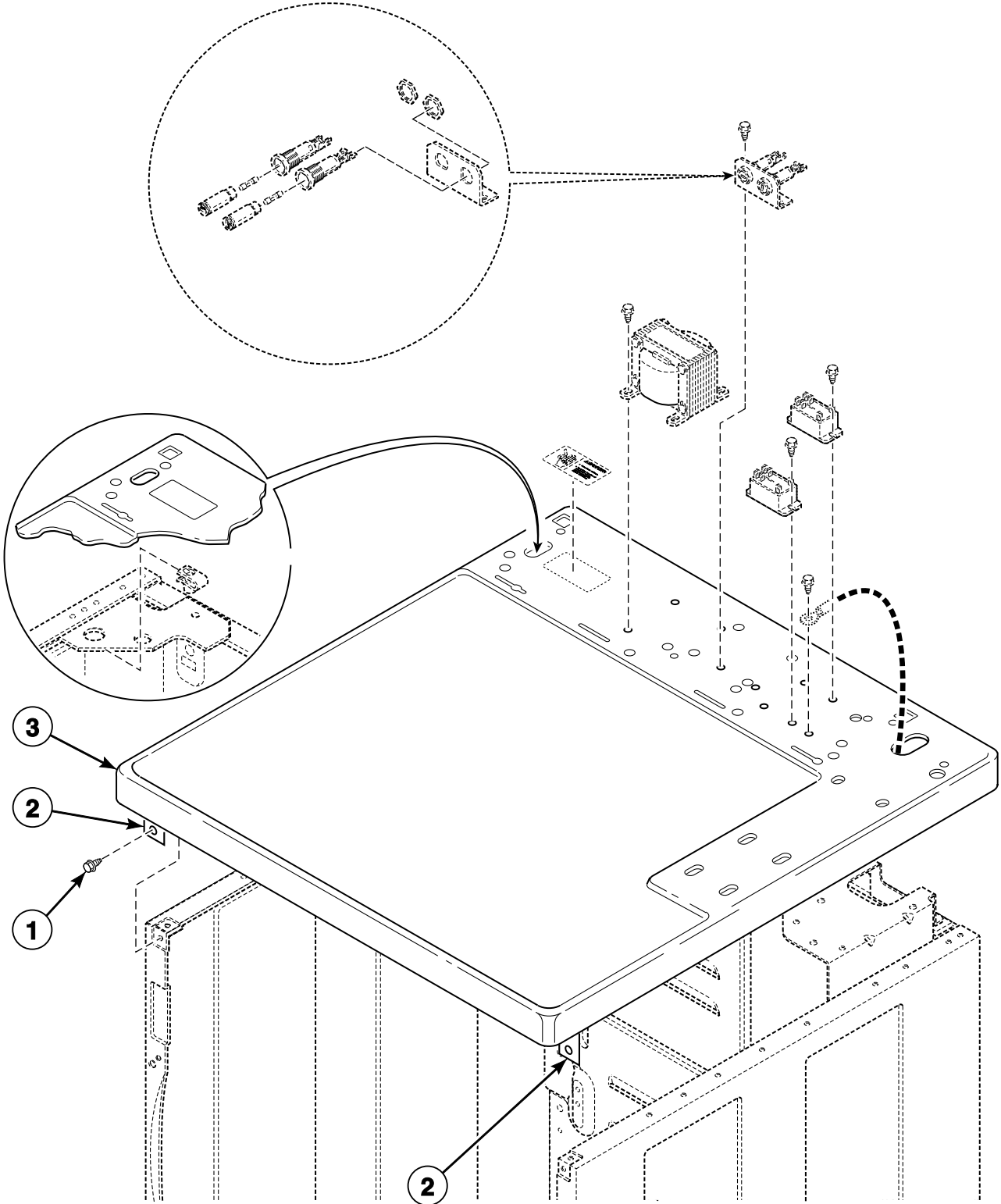
* Add Letter To Designate Color. L - Almond Q - Bisque W - White
 N/A = Part no longer available

Cabinet Top - Rear Control Models (Drawing 1 of 2)

REF	PART NO.	DESCRIPTION	COMMENTS
1	502593	Fuse	Primary 400 mA; Models HDG009*G3008, HDG109*G3013 and SDG109*G3013
2	502591P	Fuse Holder Kit	Includes item 3; Models HDG009*G3008, HDG109*G3013 and SDG109*G3013
3	502811	Fuse Carrier	Models HDG009*G3008, HDG109*G3013 and SDG109*G3013
4	502592	Fuse	Secondary 3.15 Amp; Models HDG009*G3008, HDG109*G3013 and SDG109*G3013
5	502589	Fuse Holder Bracket	Models HDG009*G3008, HDG109*G3013 and SDG109*G3013
6	503688	Screw	
7	503661	Screw	Model NDG809*F5422
8	210100	Resistor	Model NDG809*F5422
9	511658P	Transformer Kit	Models HDG009*F3000, HDG109*F3000, SDG009*F3000, SDG009*F3058, SDG009*F3060, SDG109*F3000, SDG109*F3060, SDG109*F5412, UDG009*F3000 and UDG009*F3025
	M412477P	Transformer	Models HDG009*G3008, HDG109*G3013 and SDG109*G3013
	M413100P	Transformer	Models HDG009*M3008, HDG109*M3013 and SDG109*M3013
	201616P	Transformer	Model NDG809*F5422
	803527P	Transformer	Models NDEBXRGS301NW22 and SDEBXRGS301NW22
	201587P	Transformer	Models SDESXRGS151CW02 and SDESXRGS171CW02
10	502501	Relay	Models HDG009*G3008, HDG109*G3013 and SDG109*G3013
11	500316	Warning Label	Models BDG809*F1102, BDG909*F1102, HDE007*F1702, HDE107*F1502, HDE107*F1702, HDE507*F1502, HDE507*F1702, HDE707*F1502, HDE707*F1702, HDE807*F1702, HDE907*F1502, HDE907*F1702, HDEB07*J1502, HDEB07*J1702, HDEF07*J1502, HDEF07*J1702, HDER07*F1502, HDER07*F1702, HDET07*F1502, HDET07*F1702, HDEX07*F1502, HDEX07*F1702, HDEY07*F1502, HDEY07*F1702, HDEY07*F99N2, HDEZ07*F1502, HDEZ07*F1702, HDG009*F1102, HDG109*F1102, HDG509*F1102, HDG709*F1102, HDG809*F1102, HDG909*F1102, HDGB09*J1102, HDGF09*J1102, HDGR09*F1102, HDGT09*F1102, HDGX09*F1102, HDGY09*F1102, HDGZ09*F1102, UDE807*F1702 and UDG809*F1102
	502511	Electrical Shock Label	Models GDE807*F5418, GDE907*F5418, GDE907*G3018, HDE007*G3003, HDE007*G3008, HDE007*G3010, HDE007*G4008, HDE007*G4010, HDE107*G3003, HDE107*G3018, HDE907*G3018, HDG009*G3008, HDG009*M3008, HDG109*G3013, HDG109*M3013, JDE807*F5418, JDE907*G3018, JDG809*M3013, JDG809*M3020, JDG909*M3013, JDG909*M3020, NDE807*F5422, PDG809*M3013, SDE007*G3018, SDE107*G3018, SDE907*G3018, SDG109*G3013, SDG109*M3013 and SDG909*M3013
	505281	Disconnect Power Warning Label	All other models
12	27222	Nut	

* Add Letter To Designate Color. G - Gray L - Almond Q - Bisque W - White

Cabinet Top - Rear Control Models (Drawing 2 of 2)



DRY2003PA_506055

Cabinet Top - Rear Control Models (Drawing 2 of 2)

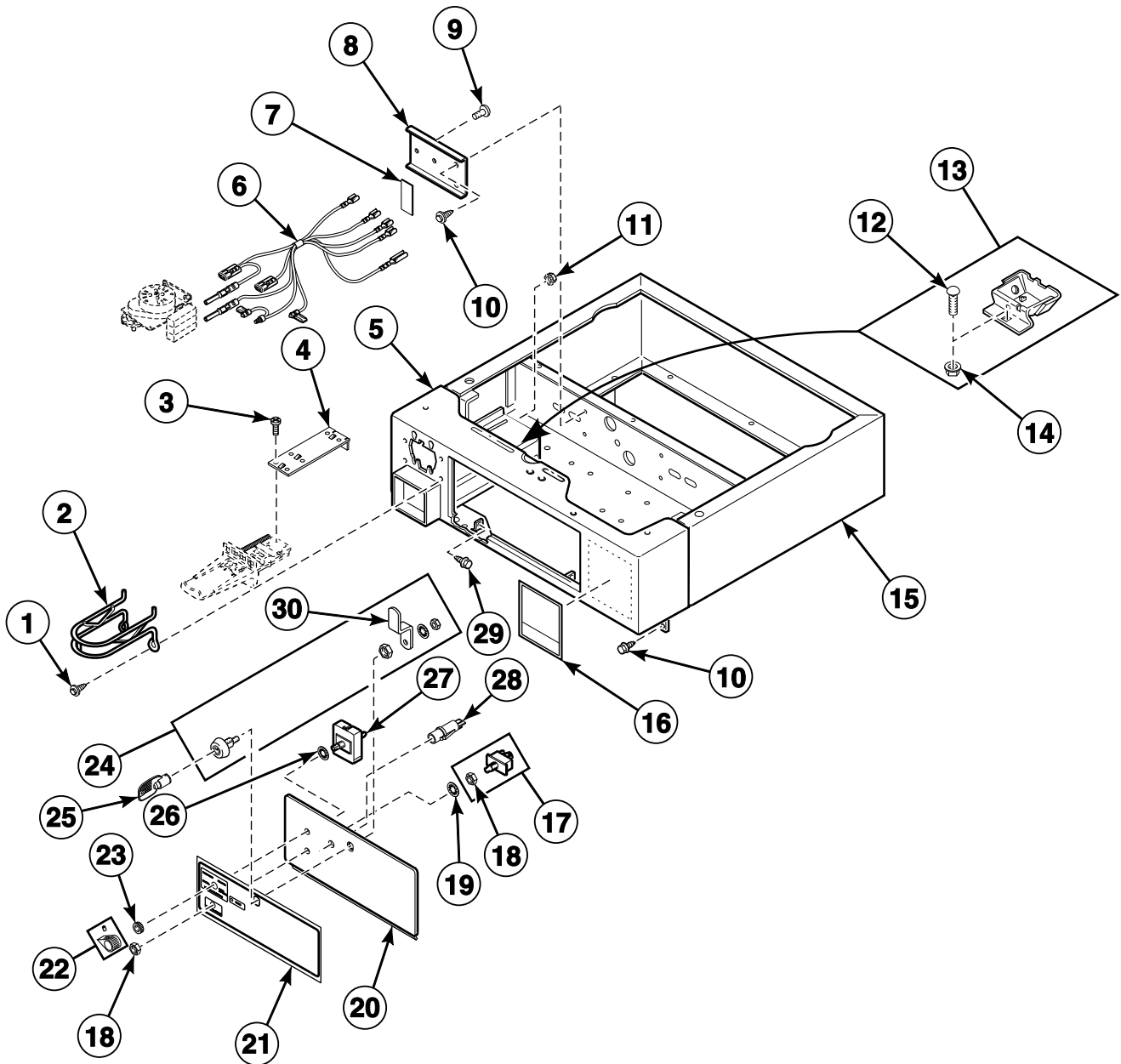
REF	PART NO.	DESCRIPTION	COMMENTS
1	503688	Screw	
2	510146	Bracket	
3	N/A	Top Panel	White; Model HDG009*G3008
	502670Q	Top Panel	Bisque; Models HDG109*G3013 and SDG109*G3013
	511530WP	Top Panel Kit	White; Models BDEMNRGS431AW01, BDGMNRGS301AW01, BDG809*F1102, FDE807*G3018, FDE807*G4018, GDE807*F5418, GDE807*G3018, HDE807*F1702, HDEF07*J1502, HDEF07*J1702, HDEY07*F1502, HDEY07*F1702, HDEY07*F99N2, HDG809*F1102, HDGF09*J1102, HDGY09*F1102, JDE807*F4350, JDE807*F5418, JDE807*G3018, JDG809*F3060, JDG809*M3013, JDG809*M3020, NDE807*F3022, NDE807*F5422, NDE807*G3018, NDE807*G4018, NDG809*F3022, NDG809*F5422, PDE807*G3018, PDE807*G4018, PDG809*F3060, PDG809*M3013, SDE807*F3000, SDE807*F4350, SDEF07*J4350, SDG809*F3060, SDGF09*J3060, UDE807*F1702 and UDG809*F1102
	511530LP	Top Panel Kit	Almond; Models BDEMNRGS431AW01, BDGMNRGS301AW01, BDG809*F1102, FDE807*G3018, FDE807*G4018, GDE807*F5418, GDE807*G3018, HDE807*F1702, HDEF07*J1502, HDEF07*J1702, HDEY07*F1502, HDEY07*F1702, HDEY07*F99N2, HDG809*F1102, HDGF09*J1102, HDGY09*F1102, JDE807*F4350, JDE807*F5418, JDE807*G3018, JDG809*F3060, JDG809*M3013, JDG809*M3020, NDE807*F3022, NDE807*F5422, NDE807*G3018, NDE807*G4018, NDG809*F3022, NDG809*F5422, PDE807*G3018, PDE807*G4018, PDG809*F3060, PDG809*M3013, SDE807*F3000, SDE807*F4350, SDEF07*J4350, SDG809*F3060, SDGF09*J3060, UDE807*F1702 and UDG809*F1102
	511528WP	Top Kit	White; Models HDE007*F1702, HDE007*F3000, HDE007*G3003, HDE007*G3008, HDE007*G3010, HDE007*G4008, HDE007*G4010, HDE707*F1502, HDE707*F1702, HDG009*F1102, HDG009*F3000, HDG009*M3008, HDG709*F1102, NDE007*G3018, NDE007*G4018, SDE007*F3000, SDE007*F4350, SDE007*G3018, SDG009*F3000, SDG009*F3058, SDG009*F3060, UDE007*F3000, UDE007*F3025, UDG009*F3000 and UDG009*F3025
	511528LP	Top Kit	Almond; Models HDE007*F1702, HDE007*F3000, HDE007*G3003, HDE007*G3008, HDE007*G3010, HDE007*G4008, HDE007*G4010, HDE707*F1502, HDE707*F1702, HDG009*F1102, HDG009*F3000, HDG009*M3008, HDG709*F1102, NDE007*G3018, NDE007*G4018, SDE007*F3000, SDE007*F4350, SDE007*G3018, SDG009*F3000, SDG009*F3058, SDG009*F3060, UDE007*F3000, UDE007*F3025, UDG009*F3000 and UDG009*F3025
	511528QP	Top Kit	Bisque; Models HDE007*F1702, HDE007*F3000, HDE007*G3003, HDE007*G3008, HDE007*G3010, HDE007*G4008, HDE007*G4010, HDE707*F1502, HDE707*F1702, HDG009*F1102, HDG009*F3000, HDG009*M3008, HDG709*F1102, NDE007*G3018, NDE007*G4018, SDE007*F3000, SDE007*F4350, SDE007*G3018, SDG009*F3000, SDG009*F3058, SDG009*F3060, UDE007*F3000, UDE007*F3025, UDG009*F3000 and UDG009*F3025
	511527WP	Top Kit	White; All other models
	511527LP	Top Kit	Almond; All other models
	511527QP	Top Kit	Bisque; All other models

* Add Letter To Designate Color. G - Gray L - Almond Q - Bisque W - White

N/A = Part no longer available

Control Panel and Controls - Coin Slide Ready Front Control Models

Model HFE167*G4018



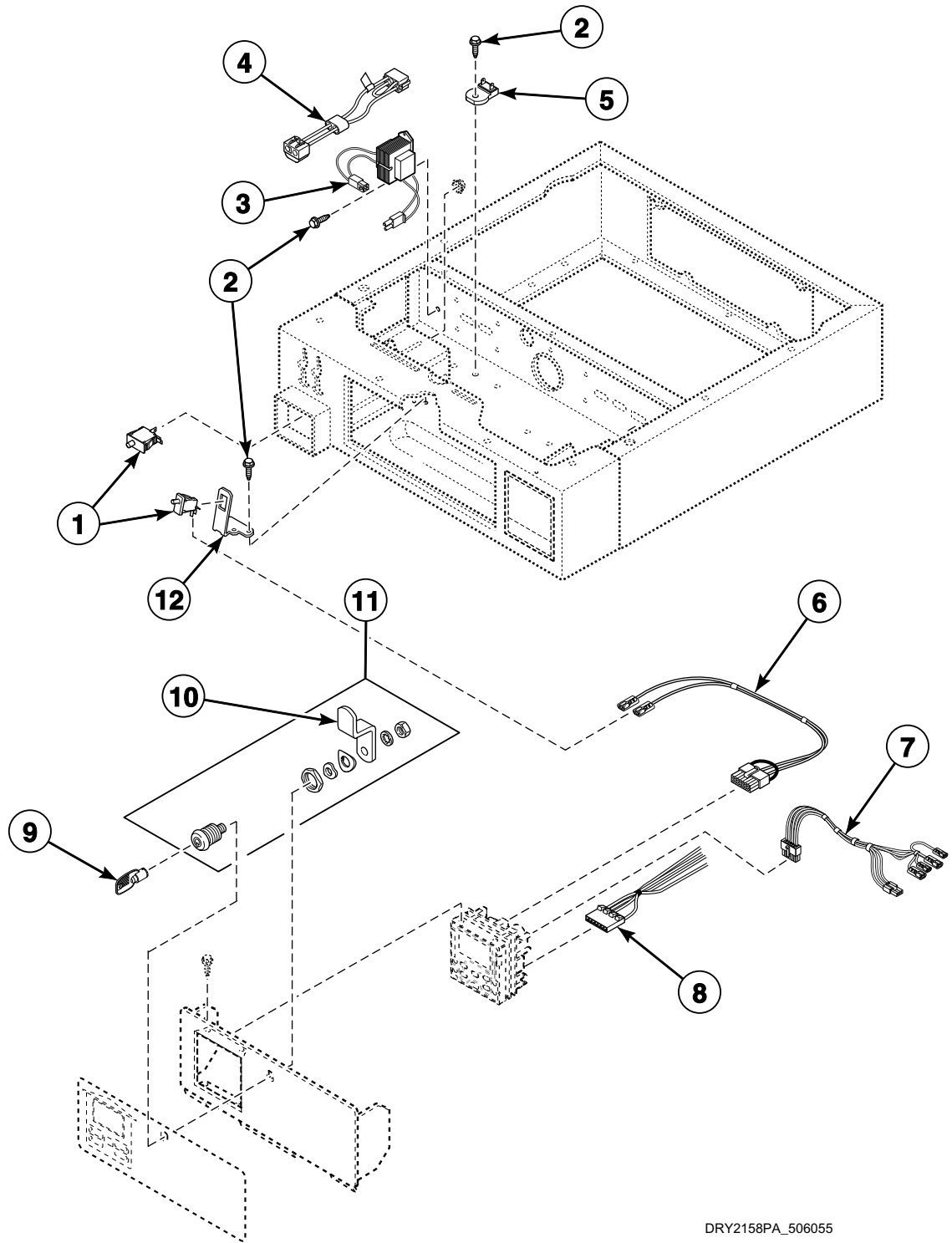
DRY2093P_506055

Control Panel and Controls - Coin Slide Ready Front Control Models

REF	PART NO.	DESCRIPTION	COMMENTS
1	33562	Screw	
2	58181	Coin Slide Guard	
3	N/A	Screw	
4	503455	Coin Slide Extension	
5	511523W	Security Cabinet Front Assembly	White
	511523L	Security Cabinet Front Assembly	Almond
	511523Q	Security Cabinet Front Assembly	Bisque
6	510534P	Harness Replacement Kit	
7	56751	Shield	
8	503017	Timer Bracket	
9	03203	Screw	
10	503688	Screw	
11	80077	Nut	
12	29651	Bolt	
13	523P3	Coin Funnel Kit	Includes items 12 and 14
14	29796	Nut	
15	505753WP	Wrapper and Channel Assembly	White
	N/A	Wrapper and Channel Assembly	Almond
	505753QP	Wrapper and Channel Assembly	Bisque
16	504585	Instruction Overlay	
17	55882	Switch Assembly	Includes item 18
18	52947	Nut	
19	25820	Washer	
20	504447W	Control Panel and Bracket Assembly	White
	504447L	Control Panel and Bracket Assembly	Almond
	504447Q	Control Panel and Bracket Assembly	Bisque
21	N/A	Graphic Overlay	
22	39897	Switch Knob	
23	24205	Nut	
24	27260P	Lock Kit	Includes item 30
25	54612	Key	800
26	91176	Washer	
27	61512	Fabric Selector Switch	
28	32464	Light	
29	502431	Screw	
30	27261	Lock Cam	

* Add Letter To Designate Color. L - Almond Q - Bisque W - White
N/A = Part no longer available

Control Panel and Controls - Front Control Coin Drop and Card Models (Drawing 1 of 2)



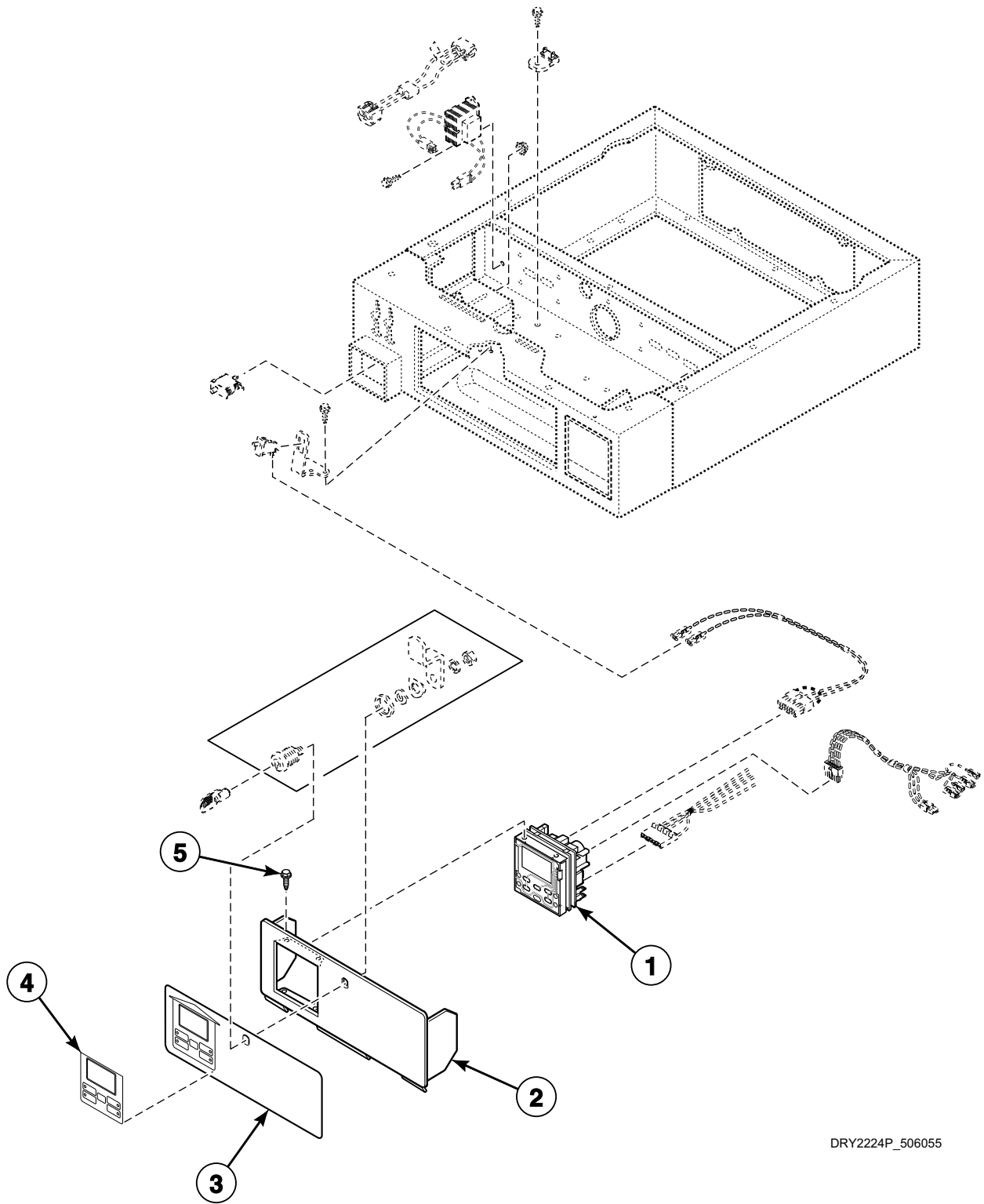
DRY2158PA_506055

Control Panel and Controls - Front Control Coin Drop and Card Models (Drawing 1 of 2)

REF	PART NO.	DESCRIPTION	COMMENTS
1	512973	Switch	
2	503688	Screw	
3	201375P	Transformer	Some models may have jumper wire attached to transformer. Discard jumper wire when replacing transformer; Models BDEBEFGS171CN01, BDEBEFGS171CW01, BDGBEFGS111CN01, BDGBEFGS111CW01, HDEBXFGS131DW01, HDGBXFGS121DW01, SDEBXFGS131DW01, SDGBXFGS121DW01, HFEX07*F1702, HFEY07*F1502, HFEY07*F1702, HFGX09*F1102, HFGY09*F1102, KFEG17NF1702, KFEY17NF1702, KFGG19NF1102 and KFGY19NF1102
	210018P	Transformer	Models HFEB07*J1702, KFET17NF1702 and KFGT19NF1102
	803527P	Transformer	All other models
4	M413507	Jumper Configuration Assembly	Models HDEBXFGS541DW01, HDGBXFGS541DW01, JDEBEFGW301EW01, JDGBEFGW301EW01, SDEBXFGS541DW01, SDGBXFGS541DW01, BFEX07*F4350, BFEX07*G4018, BFGX09*F3060, BFGX09*M3013, GFEG17NG3018, GFEG17NG4018, GFEX17NG3018, GFEX17NG4018, GFEY17NG3018, GFEY17NG4018, GFGG19NM3020, GFGX19NM3020, GFGY19NM3020, HFGX09*M3013, KFEG17NG3018, KFEG17NG4018, KFEX17NG3018, KFEX17NG4018, KFEY17NG3018, KFEY17NG4018, KFGG19NM3020, KFGX19NM3020, KFGY19NM3020, NFEX07*G3018, NFEX07*G4018, NFGX09*M3013, SFEA07*G3018, SFEX07*F3300, SFEX07*F4350, SFEX07*G3018, SFEX07*G4018, SFEX67*G4018, SFEY07*G4018 and SFGX09*M3013
5	210100	Resistor	
6	800374	Diagnostic Wire Harness Assembly	Models GFEG17NG3018, GFEG17NG4018, GFGG19NM3020, GFGY19NM3020, HFEY07*F1502, HFEY07*F1702, HFGY09*F1102, KFEG17NF1702, KFEG17NG3018, KFEG17NG4018, KFGG19NF1102, KFGG19NM3020, KFGY19NF1102, KFGY19NM3020 and SFEY07*G4018
7	802905	Harness Assembly	Coin drop; Models HDEBXFGS541DW01, HDGBXFGS541DW01, JDEBEFGW301EW01, JDGBEFGW301EW01, SDEBXFGS541DW01, SDGBXFGS541DW01, BFEX07*F4350, BFEX07*G4018, BFGX09*F3060, BFGX09*M3013, GFEX17NG3018, GFEX17NG4018, GFGX19NM3020, HFGX09*M3013, KFEX17NG3018, KFEX17NG4018, KFGX19NM3020, NFEX07*G3018, NFEX07*G4018, NFGX09*M3013, SFEA07*G3018, SFEX07*F3300, SFEX07*F4350, SFEX07*G3018, SFEX07*G4018, SFEX67*G4018 and SFGX09*M3013
8	511478	Central Pay Harness	From control to customer supplied pay unit; Models GFEG17NG3018, GFEG17NG4018, GFEY17NG3018, GFEY17NG4018, GFGG19NM3020, GFGY19NM3020, KFEG17NF1702, KFEG17NG3018, KFEG17NG4018, KFEY17NF1702, KFEY17NG3018, KFEY17NG4018, KFGG19NF1102, KFGG19NM3020, KFGY19NF1102 and KFGY19NM3020
9	54612	Key	800
10	27261	Lock Cam	
11	27260P	Lock Kit	Includes item 10
12	800379	Audit Switch Bracket	

* Add Letter To Designate Color. L - Almond Q - Bisque W - White N - Stainless Steel

Control Panel and Controls - Front Control Coin Drop and Card Models (Drawing 2 of 2)



DRY2224P_506055

Control Panel and Controls - Front Control Coin Drop and Card Models (Drawing 2 of 2)

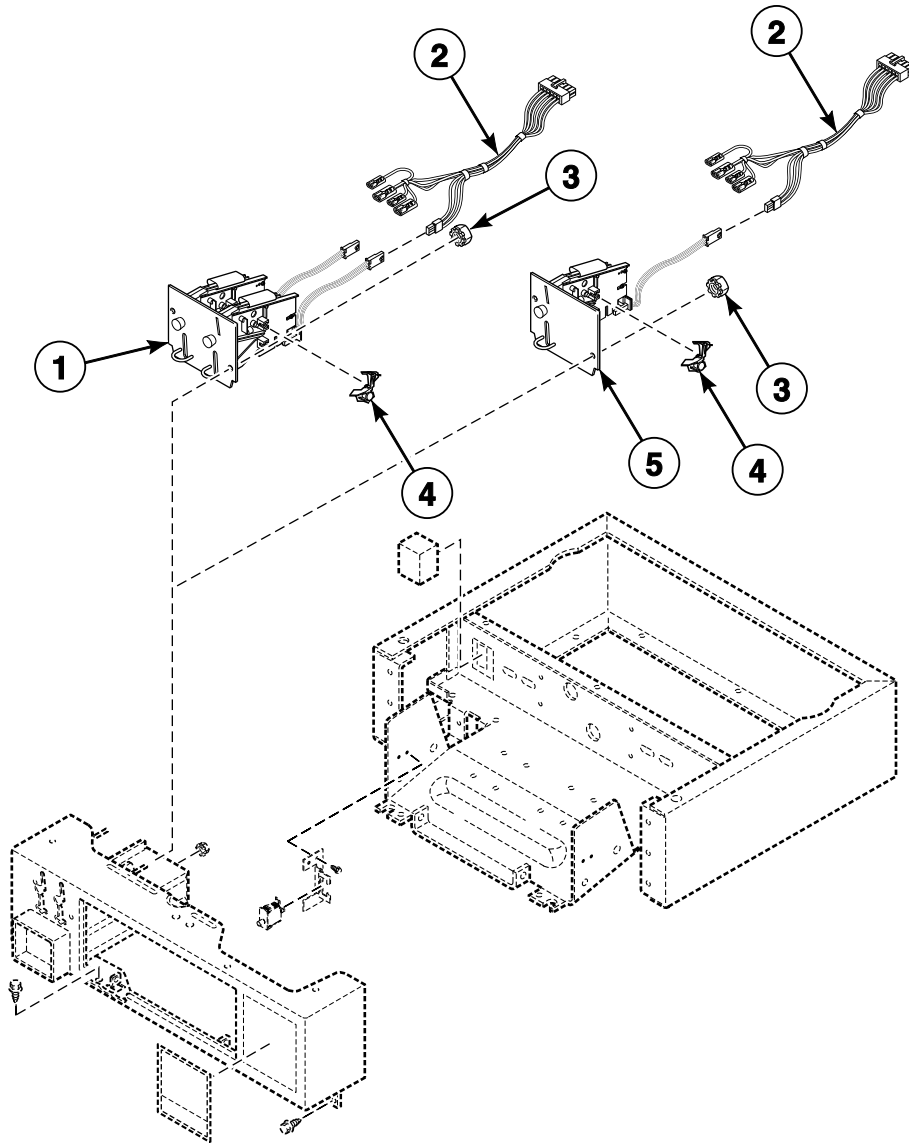
REF	PART NO.	DESCRIPTION	COMMENTS
1	505905P	Control Kit	Models HFEB07*J1702 and SFEA07*G3018
	M414050P	Control Kit	120 Volt; Models HFE507*F1702, HFE707*F1702, HFG509*F1102 and HFG709*F1102; Model and serial number of machine required - part no longer available for units built prior to 1/1/04 per field bulletin FB15-164
	511867P	Control Assembly	All other models
2	505510W	Control Panel and Bracket Assembly	White; Models HFE507*F1702, HFE707*F1702, HFG509*F1102 and HFG709*F1102
	505510L	Control Panel and Bracket Assembly	Almond; Models HFE507*F1702, HFE707*F1702, HFG509*F1102 and HFG709*F1102
	512705	Control Panel Assembly	Models GFEG17NG3018, GFEG17NG4018, GFEX17NG3018, GFEX17NG4018, GFEY17NG3018, GFEY17NG4018, GFGG19NM3020, GFGX19NM3020, KFGY19NM3020, KFEG17NF1702, KFEG17NG3018, KFEG17NG4018, KFET17NF1702, KFEX17NG3018, KFEX17NG4018, KFEY17NF1702, KFEY17NG3018, KFEY17NG4018, KFGG19NF1102, KFGG19NM3020, KFGT19NF1102, KFGX19NM3020, KFGY19NF1102 and KFGY19NM3020
	510077W	Control Panel and Bracket Assembly	White; All other models
	510077B	Control Panel and Bracket Assembly	Black; All other models
3	511899	Graphic Overlay	Models SFEX07*G3018, SFEX07*G4018, SFEX67*G4018, SFEY07*G4018 and SFGX09*M3013
	513248	Graphic Overlay	Models JDEBEFGW301EW01 and JDGBEFGW301EW01
	512008	Graphic Overlay	Models BFEX07*G4018 and BFGX09*M3013
	512029	Graphic Overlay	Model HFGX09*M3013
	511573	Graphic Overlay	Models SDEBXFGS131DW01, SDEBXFGS541DW01, SDGBXFGS121DW01, SDGBXFGS541DW01, SFEX07*F3300 and SFEX07*F4350
	N/A	Graphic Overlay	Model HFEB07*J1702
	512102	Graphic Overlay	Models HDEBXFGS131DW01, HDEBXFGS541DW01, HDGBXFGS121DW01, HDGBXFGS541DW01, HFEX07*F1702, HFEY07*F1502, HFEY07*F1702, HFGX09*F1102 and HFGY09*F1102
	512534	Graphic Overlay	Models NFEX07*G3018, NFEX07*G4018 and NFGX09*M3013
	505695	Graphic Overlay	Models HFE507*F1702, HFE707*F1702, HFG509*F1102 and HFG709*F1102
	510075	Graphic Overlay	Model SFEA07*G3018
	513392	Graphic Overlay	Models BDEBEFGS171CN01, BDEBEFGS171CW01, BDGBEFGS111CN01, BDGBEFGS111CW01, BFEX07*F4350 and BFGX09*F3060
	512726	Graphic Overlay	All other models
4	513546	Overlay	French/English; Models HFEX07*F1702, HFEY07*F1502, HFEY07*F1702, HFGX09*F1102 and HFGY09*F1102
5	501524	Screw	

* Add Letter To Designate Color. L - Almond Q - Bisque W - White N - Stainless Steel

N/A = Part no longer available

Non-Electronic Coin Drop - Front Control Models

Models BDEBEFGS171CN01, BDEBEFGS171CW01, BDGBEFGS111CN01, BDGBEFGS111CW01, HDEBXFGS131DW01, HDEBXFGS541DW01, HDGBXFGS121DW01, HDGBXFGS541DW01, JDEBEFGW301EW01, JDGBEFGW301EW01, SDEBXFGS131DW01, SDEBXFGS541DW01, SDGBXFGS121DW01, SDGBXFGS541DW01, BFEX07*F4350, BFEX07*G4018, BFGX09*F3060, BFGX09*M3013, GFEX17NG3018, GFEX17NG4018, GFGX19NM3020, HFE507*F1702, HFEB07*J1702, HFEX07*F1702, HFG509*F1102, HFGX09*F1102, HFGX09*M3013, KFET17NF1702, KFEX17NG3018, KFEX17NG4018, KFGT19NF1102, KFGX19NM3020, NFEX07*G3018, NFEX07*G4018, NFGX09*M3013, SFEA07*G3018, SFEX07*F3300, SFEX07*F4350, SFEX07*G3018, SFEX07*G4018, SFEX67*G4018 and SFGX09*M3013



DRY2096P_506055

Non-Electronic Coin Drop - Front Control Models

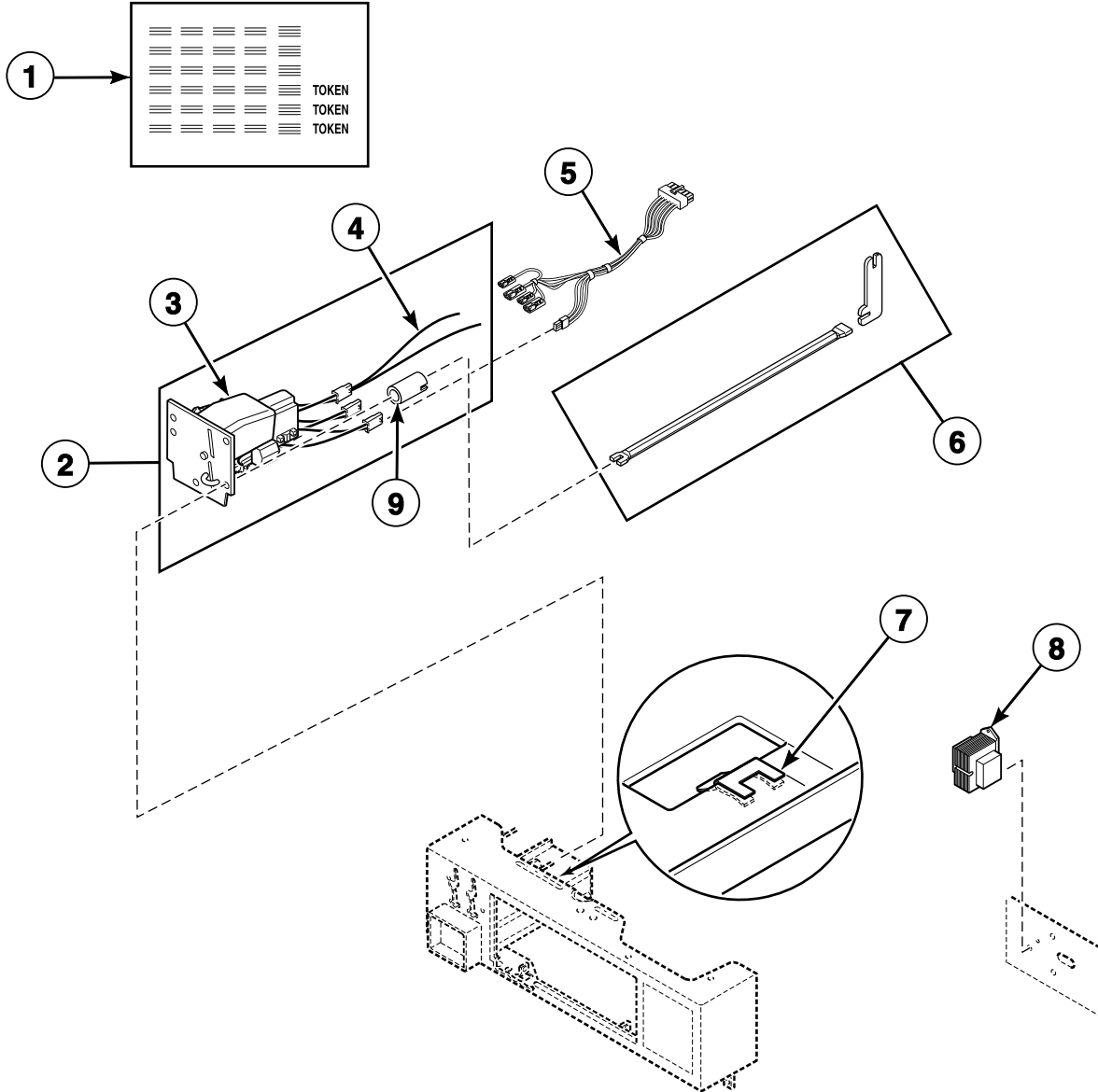
REF	PART NO.	DESCRIPTION	COMMENTS
1	N/A	Coin Drop Assembly	Belgium, Denmark, France, Italy and Taiwan coins
	70441602	Coin Drop Assembly	Canada; .25 and 1.00
	38467	Coin Drop Assembly	Australia; .20 and 1.00
	38472	Coin Drop Assembly	England; 20 pence and 1 pound
	38519	Coin Drop Assembly	Japan; 100 and 500 yen
	38521	Coin Drop Assembly	Korea; 100 and 500 won
	N/A	Coin Drop Assembly	New Zealand; .20 and 1.00
	70482401	Coin Drop Assembly	New Zealand; 1.00 and 2.00
	39157	Coin Drop Assembly	Israel; 1 and 5 shekel
2	802905	Harness Assembly	Coin drop; Models HDEBXFGS131DW01, HDEBXFGS541DW01, HDGBXFGS121DW01, HDGBXFGS541DW01, JDEBEFGW301EW01, JDGBEFGW301EW01, SDEBXFGS131DW01, SDEBXFGS541DW01, SDGBXFGS121DW01, SDGBXFGS541DW01, BFEX07*F4350, BFEX07*G4018, BFGX09*F3060, BFGX09*M3013, GFEX17NG3018, GFEX17NG4018, GFGX19NM3020, HFGX09*M3013, KFEX17NG3018, KFEX17NG4018, KFGX19NM3020, NFEX07*G3018, NFEX07*G4018, NFGX09*M3013, SFEA07*G3018, SFEX07*F3300, SFEX07*F4350, SFEX07*G3018, SFEX07*G4018, SFEX67*G4018 and SFGX09*M3013
	802904P	Harness Assembly	Models KFET17NF1702 and KFGT19NF1102
3	29786	Nut	
4	201595P	Wire Guard	Anti-stringing security device; Add to coin drops beginning January 2005
5	38462P	Coin Drop Assembly	Token; 118-1 mzp
	38463	Coin Drop Assembly	Token; 118-5 mzp
	38464P	Coin Drop Assembly	Canada; .25
	38475	Coin Drop Assembly	Japan; 100 yen
	CK077	Coin Drop Kit	Taiwan; 10 NT
	70441601P	Coin Drop	U.S.; \$.25
	38963P	Coin Drop	Token 118-16 not available; Replacement for 38963P Coin Drop only
	CK114	Coin Drop Assembly	Singapore; Old 1.00
CK123	Coin Drop Assembly	Singapore; New 1.00	

* Add Letter To Designate Color. L - Almond Q - Bisque W - White N - Stainless Steel

N/A = Part no longer available

Electronic Coin Drop - Front Control Models

Models BDEBEFGS171CN01, BDEBEFGS171CW01, BDGBEFGS111CN01, BDGBEFGS111CW01, HDEBXFGS131DW01, HDEBXFGS541DW01, HDGBXFGS121DW01, HDGBXFGS541DW01, JDEBEFGW301EW01, JDGBEFGW301EW01, SDEBXFGS131DW01, SDEBXFGS541DW01, SDGBXFGS121DW01, SDGBXFGS541DW01, BFEX07*F4350, BFEX07*G4018, BFGX09*F3060, BFGX09*M3013, GFEX17NG3018, GFEX17NG4018, GFGX19NM3020, HFEB07*J1702, HFEX07*F1702, HFGX09*F1102, HFGX09*M3013, KFET17NF1702, KFEX17NG3018, KFEX17NG4018, KFGT19NF1102, KFGX19NM3020, NFEX07*G3018, NFEX07*G4018, NFGX09*M3013, SFEA07*G3018, SFEX07*F3300, SFEX07*F4350, SFEX07*G3018, SFEX07*G4018, SFEX67*G4018 and SFGX09*M3013



DRY2159P_506055

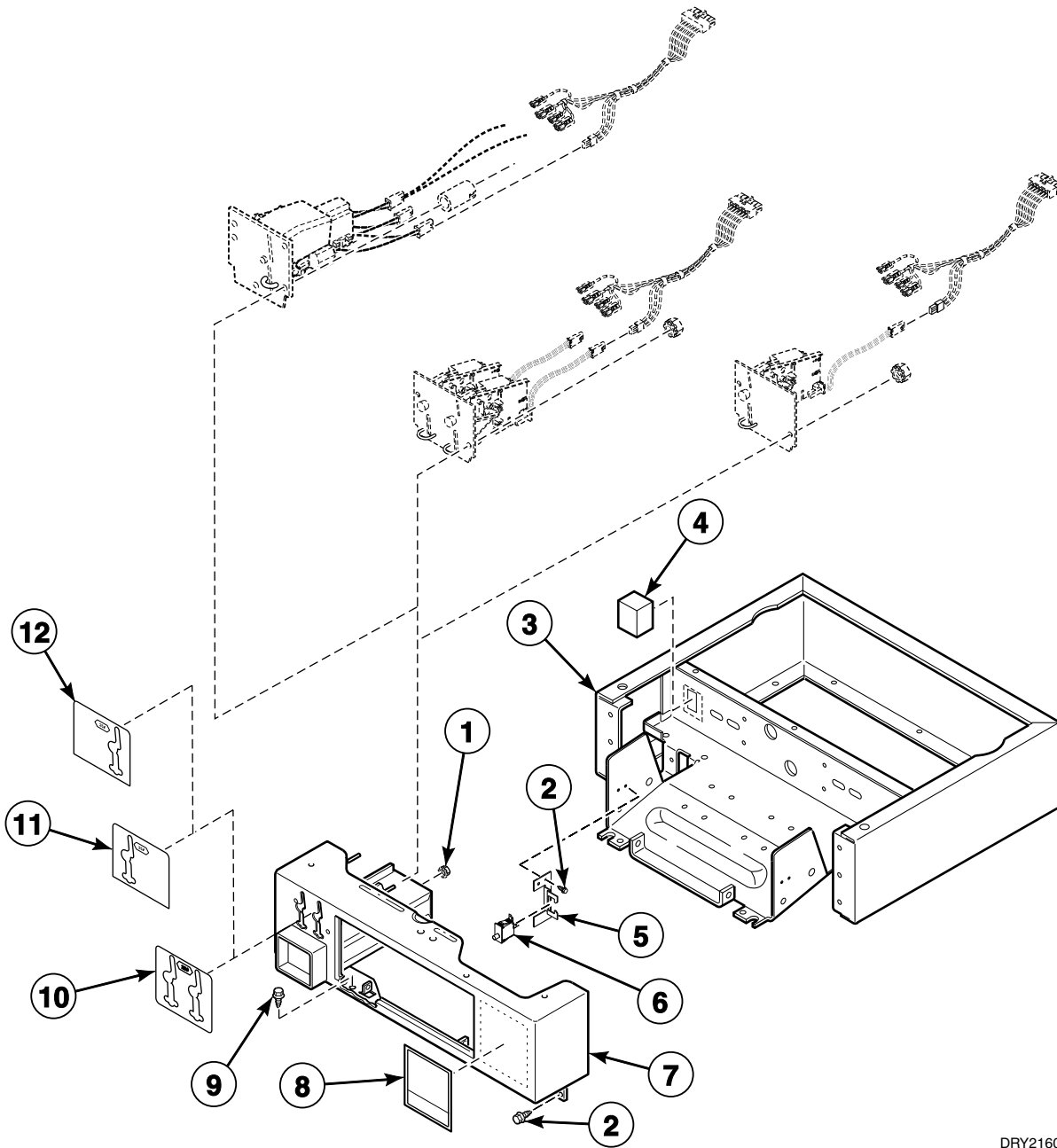
Electronic Coin Drop - Front Control Models

REF	PART NO.	DESCRIPTION	COMMENTS
1	38725	Coin Identification Paper	For use with items 2 and 3
2	CK099	Electronic Coin Drop Kit	Includes items 3-5; Australia, New Zealand, Hong Kong and South Korea coins
	CK100	Electronic Coin Drop Kit	Includes items 3-5; Euro and Great Britain coins
	CK101	Electronic Coin Drop Kit	Includes items 3-5; Euro, Denmark and Norway coins
	CK103	Electronic Coin Drop Kit	Includes items 3-5; Euro, Lithuania and Latvia coins
	CK106	Electronic Coin Drop Kit	Includes items 3-5; Malaysia, Russia, China and Singapore coins
	CK108	Electronic Coin Drop Kit	Includes items 3-5; South Africa coins
	CK109	Electronic Coin Drop Kit	Includes items 3-5; Euro coins
	CK113	Electronic Coin Drop Kit	Includes items 3-5; Japan and Taiwan coins
	CK115	Electronic Coin Drop Kit	Includes items 3-5; United States and Canada coins
	CK120	Electronic Coin Drop Kit	Includes items 3-5; Chile coins
	CK121	Electronic Coin Drop Kit	Includes items 3-5; Singapore coins
3	70294105P	Electronic Coin Drop Assembly	Australia, New Zealand, Hong Kong, South Korea and Malaysia coins
	70294103P	Electronic Coin Drop Assembly	Euro and Great Britain coins
	70294104	Electronic Coin Drop Assembly	Euro, Denmark and Norway coins
	70294107	Electronic Coin Drop Assembly	Euro, Lithuania and Latvia coins
	70294109	Electronic Coin Drop Assembly	Malaysia, Russia, China and Singapore coins
	70294110	Electronic Coin Drop Assembly	South Africa coins
	70294111	Electronic Coin Drop Assembly	Euro coins
	70294120	Electronic Coin Drop Assembly	Chile coins
	70294121	Electronic Coin Drop Assembly	Singapore coins
4	201104	Coin Drop Wire Harness	For use with items 2 and 3; All models except BDEBEFGS171CN01, BDEBEFGS171CW01, BDGBEFGS111CN01, BDGBEFGS111CW01, BFEX07*F4350, BFEX07*G4018, BFGX09*F3060, HDEBXFGS131DW01, HDEBXFGS541DW01, HDGBXFGS121DW01, HDGBXFGS541DW01, SDEBXFGS131DW01, SDEBXFGS541DW01, SDGBXFGS121DW1, SDGBXFGS541DW01, HFEX07*F1702, HFGX09*F1102, JDEBEFGW301EW01, NFEX07*G3018, NFEX07*G4018, SFEX07*F3300, SFEX07*F4350, SFEX07*G3018 and SFEX07*G4018 starting Serial No. 0904
5	802905	Harness Assembly	Electronic coin drop requires this harness. If unit is not factory-equipped with this harness, it must be ordered separately.
6	CK096	Mounting Tool Kit	For use with items 2 and 3
7	201572	Clip	For use with items 2 and 3
8	201375P	Transformer	Electronic coin drop requires this transformer. If unit is not factory-equipped with this transformer, it must be ordered separately.
9	201216	Nut	Slotted nut; Use with front assemblies with guide rods; Models through Serial No. 1007022688
	29786	Nut	Hex nut; Use with front assemblies without guide rods; Models starting Serial No. 1007022689

* Add Letter To Designate Color. L - Almond Q - Bisque W - White N - Stainless Steel

Control Cabinet Controls - Front Control Coin Drop Models

Models BDEBEFGS171CN01, BDEBEFGS171CW01, BDGBEFGS111CN01, BDGBEFGS111CW01, HDEBXFGS131DW01, HDEBXFGS541DW01, HDGBXFGS121DW01, HDGBXFGS541DW01, JDEBEFGW301EW01, JDGBEFGW301EW01, SDEBXFGS131DW01, SDEBXFGS541DW01, SDGBXFGS121DW01, SDGBXFGS541DW01, BFEX07*F4350, BFEX07*G4018, BFGX09*F3060, BFGX09*M3013, GFEX17NG3018, GFEX17NG4018, GFGX19NM3020, HFE507*F1702, HFEB07*J1702, HFEX07*F1702, HFG509*F1102, HFGX09*F1102, HFGX09*M3013, KFET17NF1702, KFEX17NG3018, KFEX17NG4018, KFGT19NF1102, KFGX19NM3020, NFEX07*G3018, NFEX07*G4018, NFGX09*M3013, SFEA07*G3018, SFEX07*F3300, SFEX07*F4350, SFEX07*G3018, SFEX07*G4018, SFEX67*G4018 and SFGX09*M3013



DRY2160P_506055

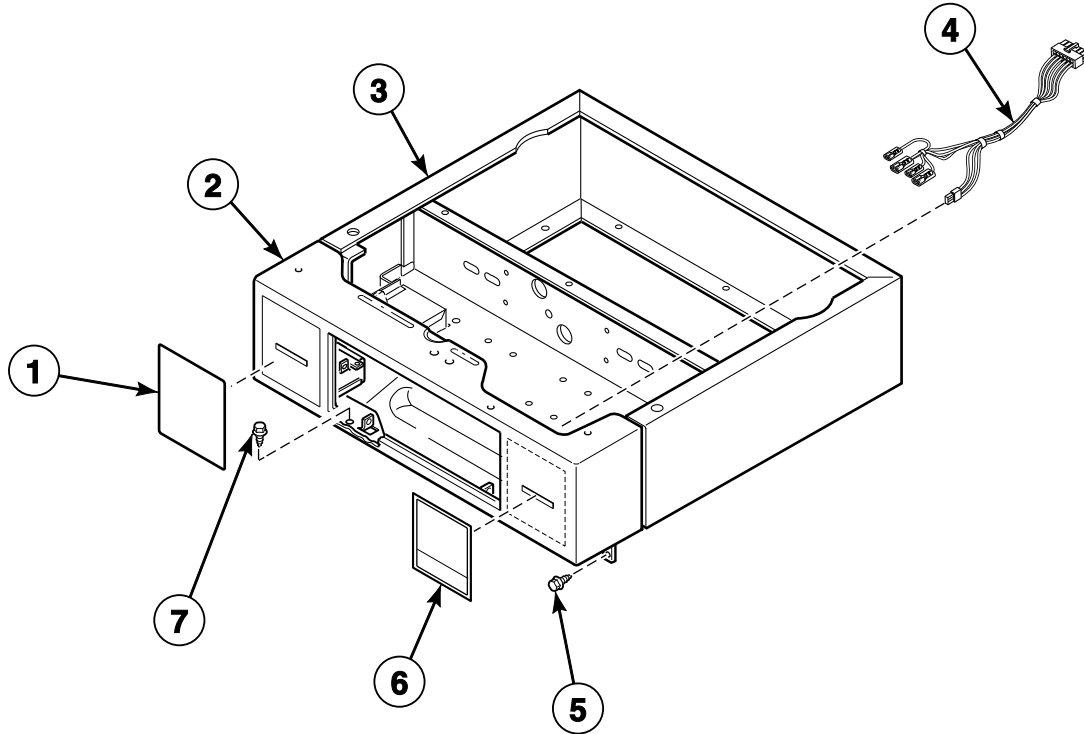
Control Cabinet Controls - Front Control Coin Drop Models

REF	PART NO.	DESCRIPTION	COMMENTS
1	80077	Nut	
2	M405188	Screw	Models BDEBEFGS171CN01, BDGBEFGS111CN01, GFEX17NG3018, GFEX17NG4018, GFGX19NM3020, KFET17NF1702, KFEX17NG3018, KFEX17NG4018, KFGT19NF1102 and KFGX19NM3020
	503688	Screw	All other models
3	512706	Security Cabinet Wrapper Assembly	Models GFEX17NG3018, GFEX17NG4018, GFGX19NM3020, KFET17NF1702, KFEX17NG3018, KFEX17NG4018, KFGT19NF1102 and KFGX19NM3020
	505753WP	Wrapper and Channel Assembly	White; All other models
	505753QP	Wrapper and Channel Assembly	Bisque; All other models
	505753BP	Wrapper and Channel Assembly	Black; All other models
4	38571	Multiplier Assembly	Models HFE507*F1702 and HFG509*F1102
5	38087	Door Switch Bracket	Models HFE507*F1702 and HFG509*F1102
6	512973	Switch	Models HFE507*F1702 and HFG509*F1102
7	512708	Security Cabinet Front Assembly	Models GFEX17NG3018, GFEX17NG4018, GFGX19NM3020, KFET17NF1702, KFEX17NG3018, KFEX17NG4018, KFGT19NF1102 and KFGX19NM3020
	511633WP	Security Cabinet Front Assembly	White; All other models
	511633LP	Security Cabinet Front Assembly	Almond; All other models
	511633QP	Security Cabinet Front Assembly	Bisque; All other models
	511633B	Security Cabinet Front Assembly	Black; All other models
8	504585	Instruction Overlay	Models BDEBEFGS171CN01, BDEBEFGS171CW01, BDGBEFGS111CN01, BDGBEFGS111CW01, BFEX07*F4350, BFGX09*F3060, HFE507*F1702, HFEB07*J1702, HFEX07*F1702, HFGX09*F1102, SFEX07*F3300 and SFEX07*F4350
	803322	Nameplate Overlay	Models JDEBEFGW301EW01 and JDGBEFGW301EW01
	511903	Instruction Label	Models HDEBXFGS131DW01, HDEBXFGS541DW01, HDGBXFGS121DW01, HDGBXFGS541DW01, SDEBXFGS131DW01, SDEBXFGS541DW01, SDGBXFGS121DW01, SDGBXFGS541DW01, BFEX07*G4018, BFGX09*M3013, NFEX07*G3018, NFEX07*G4018, NFGX09*M3013, SFEA07*G3018, SFEX07*G3018, SFEX07*G4018 and SFGX09*M3013
	513544	Instruction Label	French/English; Models HFEX07*F1702 and HFGX09*F1102
9	502431	Screw	
10	39073	Dual Overlay	Model HFEB07*J1702
11	512821	Single Overlay	Models GFEX17NG3018, GFEX17NG4018, GFGX19NM3020, KFET17NF1702, KFEX17NG3018, KFEX17NG4018, KFGT19NF1102 and KFGX19NM3020
12	803476	Single Drop Overlay	Models JDEBEFGW301EW01 and JDGBEFGW301EW01
	201091	Overlay	Models BDEBEFGS171CN01, BDEBEFGS171CW01, BDGBEFGS111CN01 and BDGBEFGS111CW01

* Add Letter To Designate Color. L - Almond Q - Bisque W - White N - Stainless Steel

Control Cabinet Controls - Front Control Card Reader Ready Models

Models GFEG17NG3018, GFEG17NG4018, GFEY17NG3018, GFEY17NG4018, GFGG19NM3020, GFGY19NM3020, HFEY07*F1502, HFEY07*F1702, HFGY09*F1102, KFEG17NF1702, KFEG17NG3018, KFEG17NG4018, KFEY17NF1702, KFEY17NG3018, KFEY17NG4018, KFGG19NF1102, KFGG19NM3020, KFGY19NF1102, KFGY19NM3020 and SFEY07*G4018



DRY2058P_506055

Control Cabinet Controls - Front Control Card Reader Ready Models

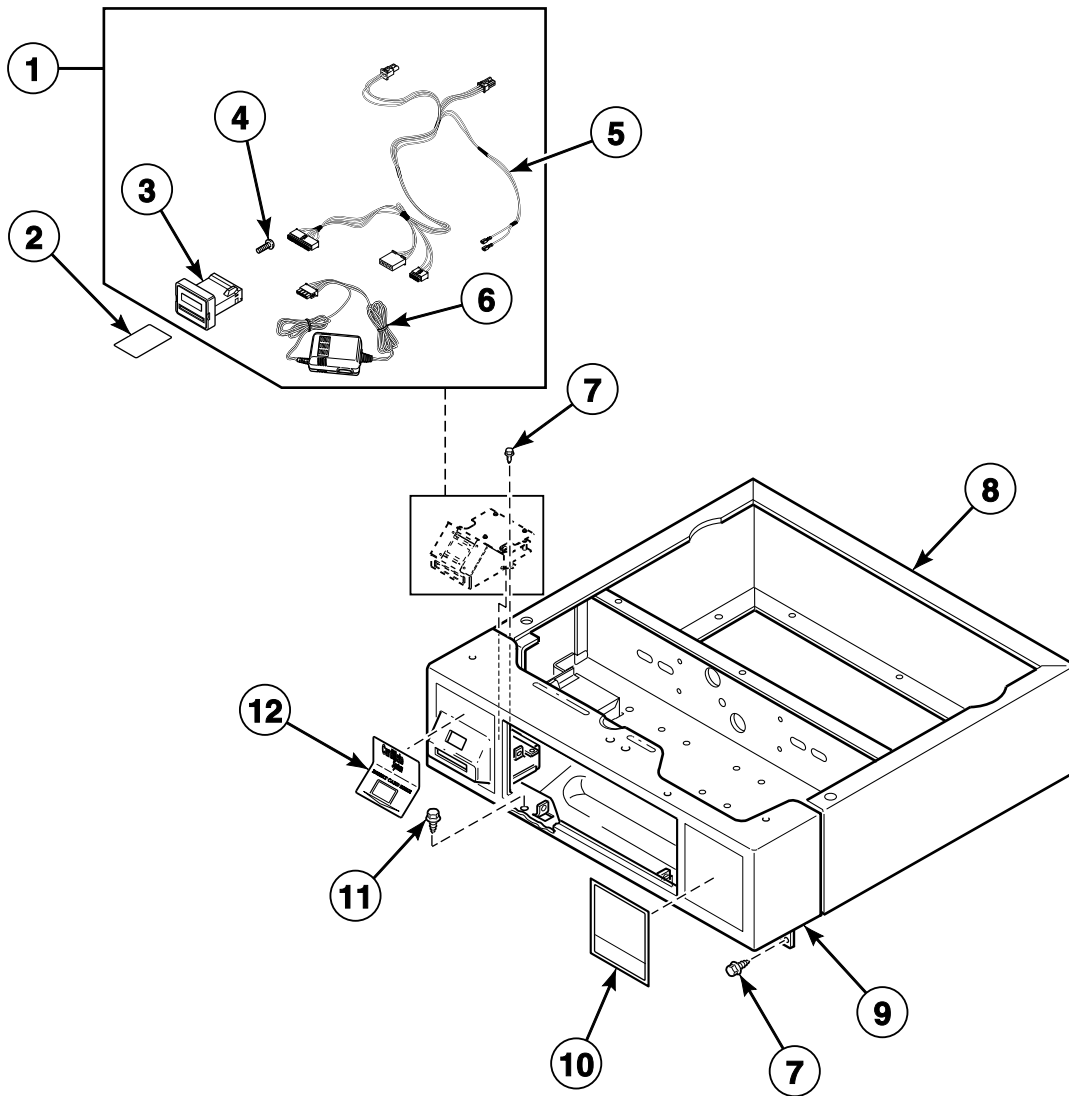
REF	PART NO.	DESCRIPTION	COMMENTS
1	511561	Card Insert Overlay	Black; Model SFEY07*G4018
	511548	Card Insert Overlay	Gray; Models HFEY07*F1502, HFEY07*F1702 and HFGY09*F1102
	512824	Blank Black Label	All other models
2	511209WP	Security Cabinet Front Assembly	White; Models HFEY07*F1502, HFEY07*F1702, HFGY09*F1102 and SFEY07*G4018
	511209L	Security Cabinet Front Assembly	Almond; Models HFEY07*F1502, HFEY07*F1702, HFGY09*F1102 and SFEY07*G4018
	511209Q	Security Cabinet Front Assembly	Bisque; Models HFEY07*F1502, HFEY07*F1702, HFGY09*F1102 and SFEY07*G4018
	512718	Security Cabinet Front Assembly	All other models
3	505753WP	Wrapper and Channel Assembly	White; Models HFEY07*F1502, HFEY07*F1702, HFGY09*F1102 and SFEY07*G4018
	N/A	Wrapper and Channel Assembly	Almond; Models HFEY07*F1502, HFEY07*F1702, HFGY09*F1102 and SFEY07*G4018
	505753QP	Wrapper and Channel Assembly	Bisque; Models HFEY07*F1502, HFEY07*F1702, HFGY09*F1102 and SFEY07*G4018
	512706	Security Cabinet Wrapper Assembly	All other models
4	802905	Harness Assembly	Models GFEG17NG3018, GFEG17NG4018, GFEY17NG3018, GFEY17NG4018, KFEG17NG3018, KFEG17NG4018, KFEY17NG3018 and KFEY17NG4018
5	503688	Screw	Models HFEY07*F1502, HFEY07*F1702, HFGY09*F1102 and SFEY07*G4018
	M405188	Screw	All other models
6	511903	Instruction Label	Model SFEY07*G4018
	513544	Instruction Label	French/English; Models HFEY07*F1502, HFEY07*F1702 and HFGY09*F1102
	504585	Instruction Overlay	All other models
7	502431	Screw	

* Add Letter To Designate Color. Q - Bisque W - White

N/A = Part no longer available

Card Reader - Front Control Card Reader Ready and Installed Models

Models HFE707*F1702 and HFG709*F1102



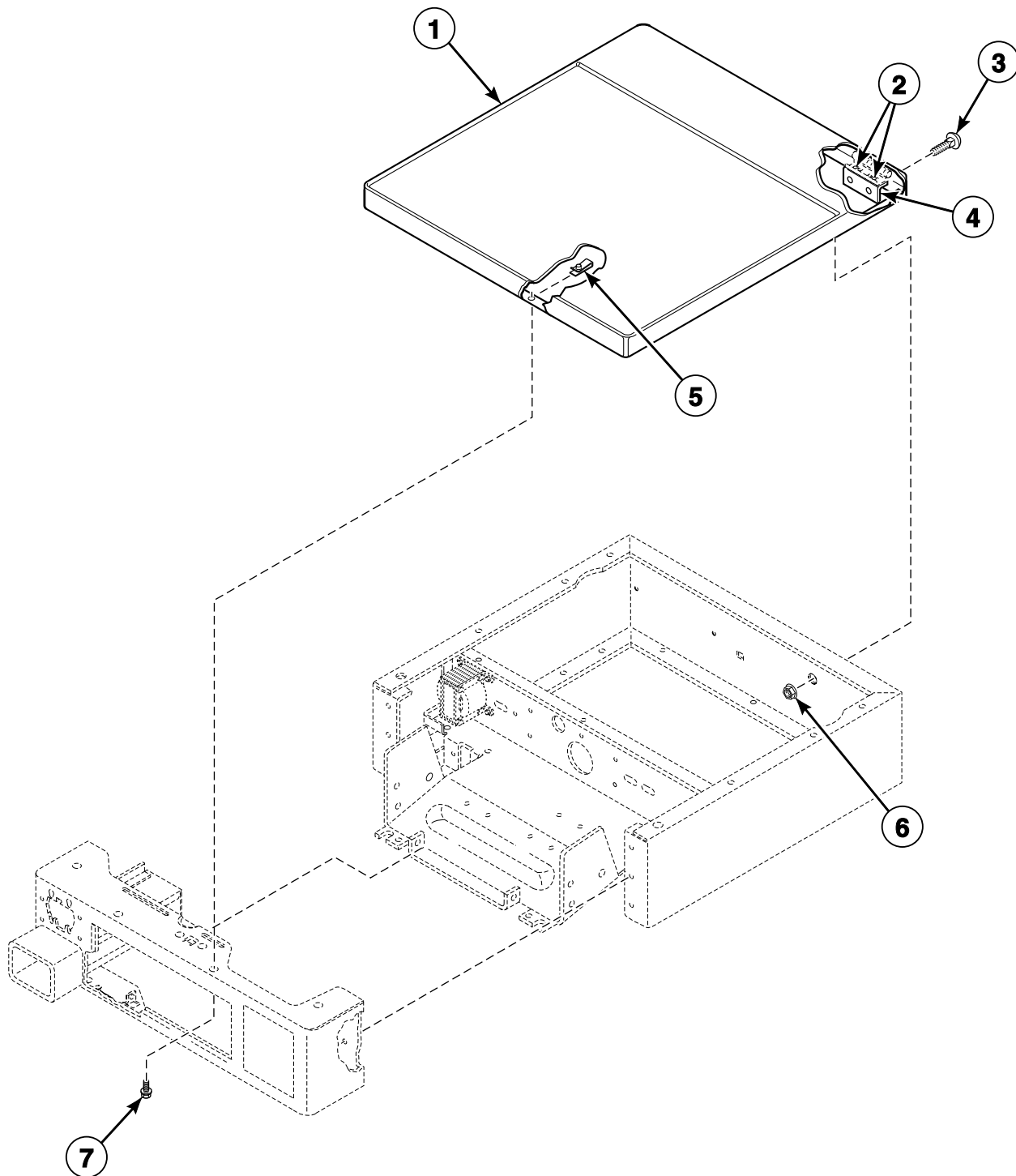
DRY2034P_506055

Card Reader - Front Control Card Reader Ready and Installed Models

REF	PART NO.	DESCRIPTION	COMMENTS
1	876P3	Card Reader Kit	Includes items 3-6
2	512499P	Programming Card	
3	512473	Card Reader	
4	512505	Bolt	
5	512501	Harness	
6	512496	Power Supply	
7	503688	Screw	
8	505753WP	Wrapper and Channel Assembly	White
	N/A	Wrapper and Channel Assembly	Almond
	505753QP	Wrapper and Channel Assembly	Bisque
9	505699WP	Security Cabinet Front Assembly	Use with item 1
	505542W	Security Cabinet Front Assembly	White; Use with 39685 Card Reader
10	504585	Instruction Overlay	
11	502431	Screw	
12	38192	Card Reader Instruction Overlay	

* Add Letter To Designate Color. L - Almond Q - Bisque W - White
N/A = Part no longer available

Cabinet Top - Front Control Coin Slide Ready, Coin Drop Ready, Coin Drop Installed and Card Reader Ready Models



DRY1805P_506055

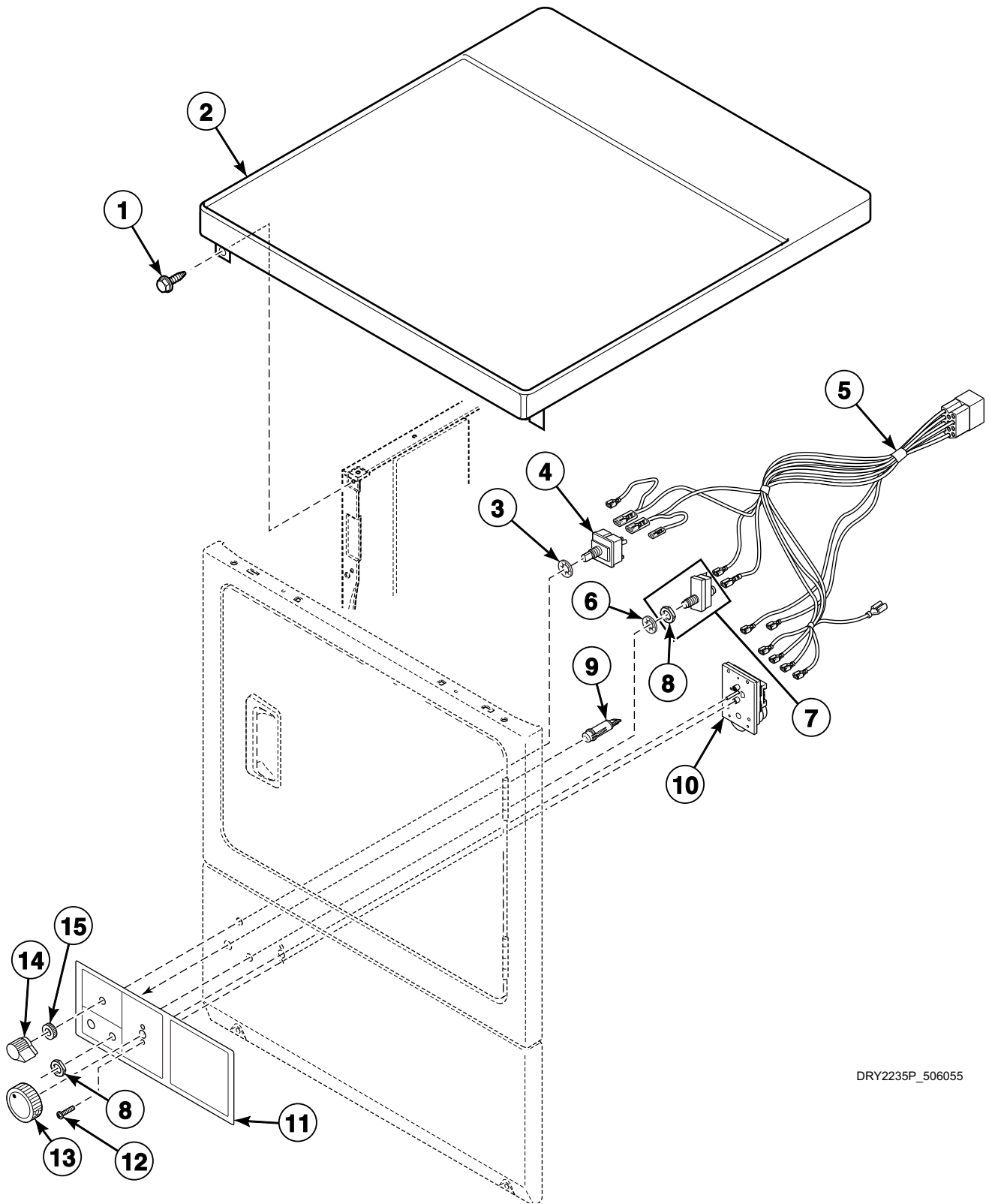
Cabinet Top - Front Control Coin Slide Ready, Coin Drop Ready, Coin Drop Installed and Card Reader Ready Models

REF	PART NO.	DESCRIPTION	COMMENTS
1	511631P	Stainless Steel Top	Models GFEG17NG3018, GFEG17NG4018, GFEX17NG3018, GFEX17NG4018, GFEY17NG3018, GFEY17NG4018, GFGG19NM3020, GFGX19NM3020, KFGY19NM3020, KFEG17NF1702, KFEG17NG3018, KFEG17NG4018, KFET17NF1702, KFEX17NG3018, KFEX17NG4018, KFEY17NF1702, KFEY17NG3018, KFEY17NG4018, KFGG19NF1102, KFGG19NM3020, KFGT19NF1102, KFGX19NM3020, KFGY19NF1102, KFGY19NM3020 and SFEX67*G4018
	803144P	Top Kit	Stainless steel; Models BDEBEFGS171CN01 and BDGEBEFGS111CN01 starting Serial No. 1005018720; Includes items 3-6 and 4 each 22649 Screw, 51236 Nut
	512967	Stainless Steel Top	Stainless steel; Models BDEBEFGS171CN01 and BDGEBEFGS111CN01 through Serial No. 1005018719; All other models
	802247WP	Top and Gusset Assembly	White; All other models
	510032LP	Top Kit	Almond; All other models
	802247QP	Top and Gusset Assembly	Bisque; All other models
2	685847	Pop Rivet	
3	29651	Bolt	
4	504228	Top Mounting Bracket	
5	36020	Nut	
6	44087201	Nut	
7	23008	Screw	

* Add Letter To Designate Color. Q - Bisque W - White N - Stainless Steel

Controls and Cabinet Top

Model KU3MNFCS401NN01



DRY2235P_506055

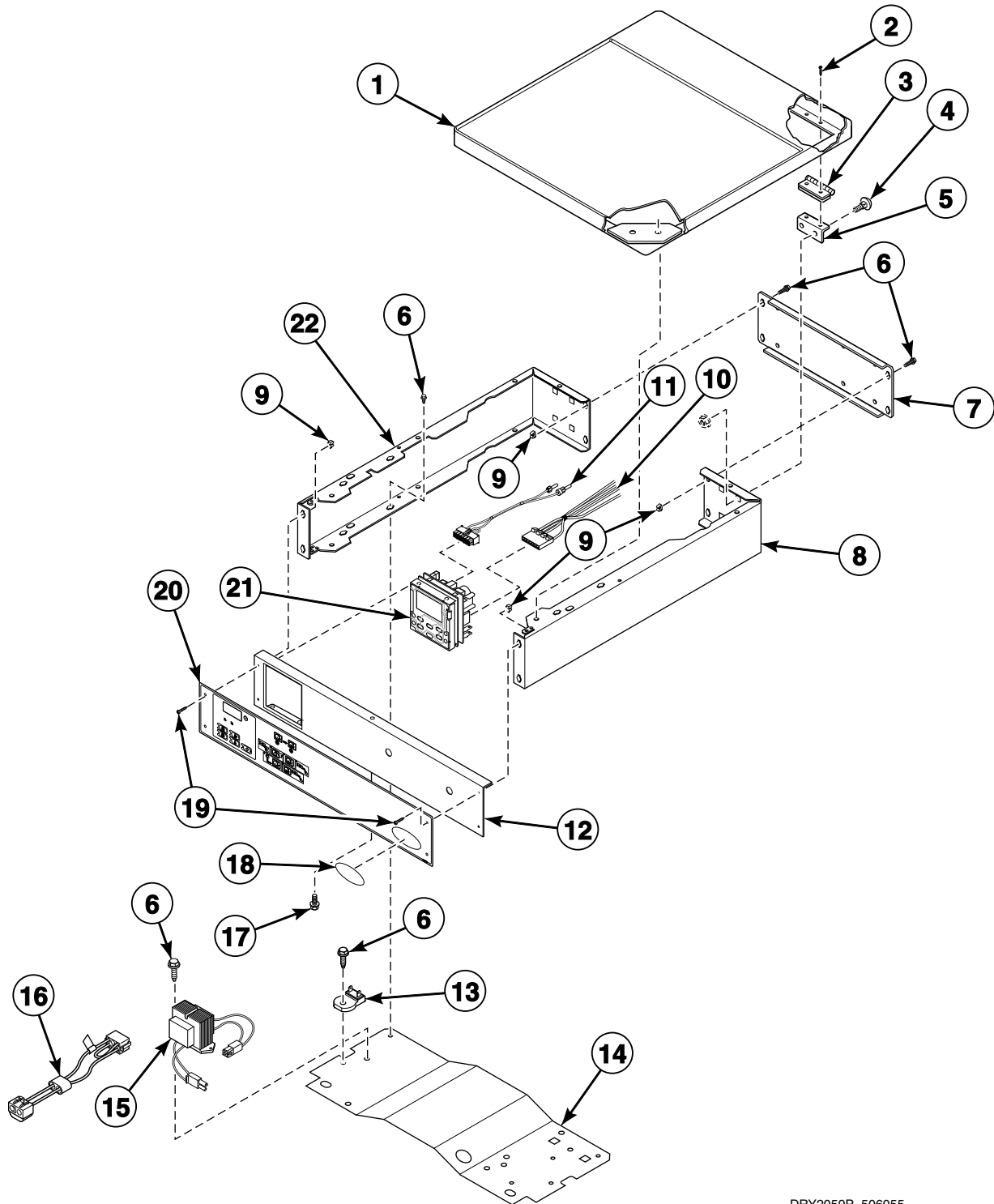
Controls and Cabinet Top

REF	PART NO.	DESCRIPTION	COMMENTS
1	M405188	Screw	Use with stainless steel side panels
	503688	Screw	Use with painted side panels
2	513224	Top and Bracket Assembly	
3	91176	Washer	
4	61512	Fabric Selector Switch	
5	513442	Hood Harness	
6	25820	Washer	
7	55882	Switch Assembly	
8	52947	Nut	
9	38280	Indicator Light	
10	510525P	Timer	
11	513526	Graphic Overlay	
12	27328	Screw	
13	54678	Timer Knob	
14	39897	Switch Knob	
15	24205	Nut	

* Add Letter To Designate Color. L - Almond Q - Bisque W - White

Control Cabinet - Front Control Non-Vend Models

Models BDEBLFGS431AW01, BDGBLFGS301AW01, BDGBLFGW541NW01, JDEBGF301EW01, JDEBGF301EN01, JDGBGF301EW01, JDGBGF301EN01, BFEL07*G4018, BFGL09*M3013, HFEL47*G4018, HFEL67*G4018, NFEL47*G4018, NFEL67*G4018, NFGL49*M3013, SFEL07*G4018, SFEL67*G4018 and SFGL09*M3013



DRY2059P_506055

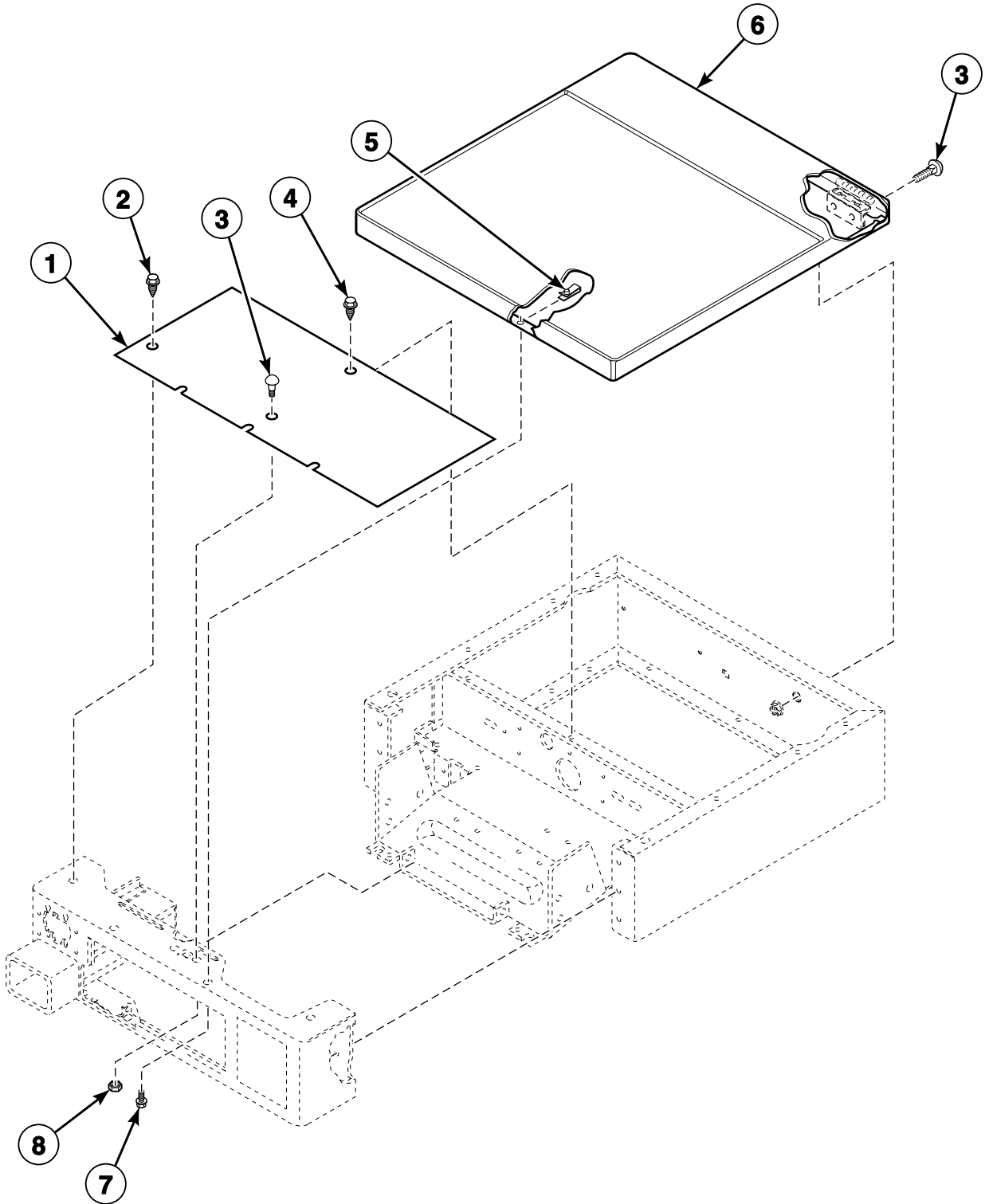
Control Cabinet - Front Control Non-Vend Models

REF	PART NO.	DESCRIPTION	COMMENTS
1	511631P	Stainless Steel Top	Models HFEL47*G4018, HFEL67*G4018, NFEL67*G4018 and SFEL67*G4018
	512967	Stainless Steel Top	Stainless steel; All other models
	802247WP	Top and Gusset Assembly	White; All other models
	510032LP	Top Kit	Almond; All other models
	802247QP	Top and Gusset Assembly	Bisque; All other models
2	685847	Pop Rivet	
3	511036	Hinge	
4	29651	Bolt	
5	504228	Top Mounting Bracket	
6	503688	Screw	
7	801058	Rear Control Cabinet	
8	800915W	Right Control Cabinet Side	White
	800915L	Right Control Cabinet Side	Almond
	800915Q	Right Control Cabinet Side	Bisque
	800915B	Right Control Cabinet Side	Black
9	70030501	Expansion Clip	
10	511478	Central Pay Harness	
11	800680	Diagnostic Wire Harness Assembly	Models BDEBLFGS431AW01, BDGBLFGS301AW01, BDGBLFGW541NW01, JDEBGF301EW01, JDEBGF301EN01, JDGBGF301EW01, JDGBGF301EN01, BFEL07*G4018, BFGL09*M3013, NFEL47*G4018, NFGL49*M3013, SFEL07*G4018 and SFGL09*M3013
12	511648W	Control Panel	White
	511648B	Control Panel	Black
13	210100	Resistor	
14	801777	Control Cabinet Bottom	
15	803527P	Transformer	
16	M413507	Jumper Configuration Assembly	Attaches to 210019P Transformer
17	23008	Screw	
18	800922	Domed Label	Models HFEL47*G4018 and HFEL67*G4018
	800921	Domed Label	Model SFEL67*G4018
19	800930	Screw	
20	512054	Graphic Overlay	Models BFEL07*G4018 and BFGL09*M3013
	513247	Graphic Overlay	Models JDEBGF301EW01, JDEBGF301EN01, JDGBGF301EW01 and JDGBGF301EN01
	512760	Graphic Overlay	Models SFEL07*G4018 and SFGL09*M3013
	513481	Graphic Overlay	Models BDEBLFGS431AW01, BDGBLFGS301AW01 and BDGBLFGW541NW01
	511654	Graphic Overlay	All other models
21	511867P	Control Assembly	
22	800900WP	Left Control Cabinet Side	White
	800900LP	Left Control Cabinet Side	Almond
	800900QP	Left Control Cabinet Side	Bisque
	800900B	Left Control Cabinet Side	Black

* Add Letter To Designate Color. Q - Bisque W - White N - Stainless Steel

Cabinet Top - Front Control Coin Drop and Card Reader Installed Models

Models HFE507*F1702, HFE707*F1702, HFG509*F1102 and HFG709*F1102



DRY1809P_506055

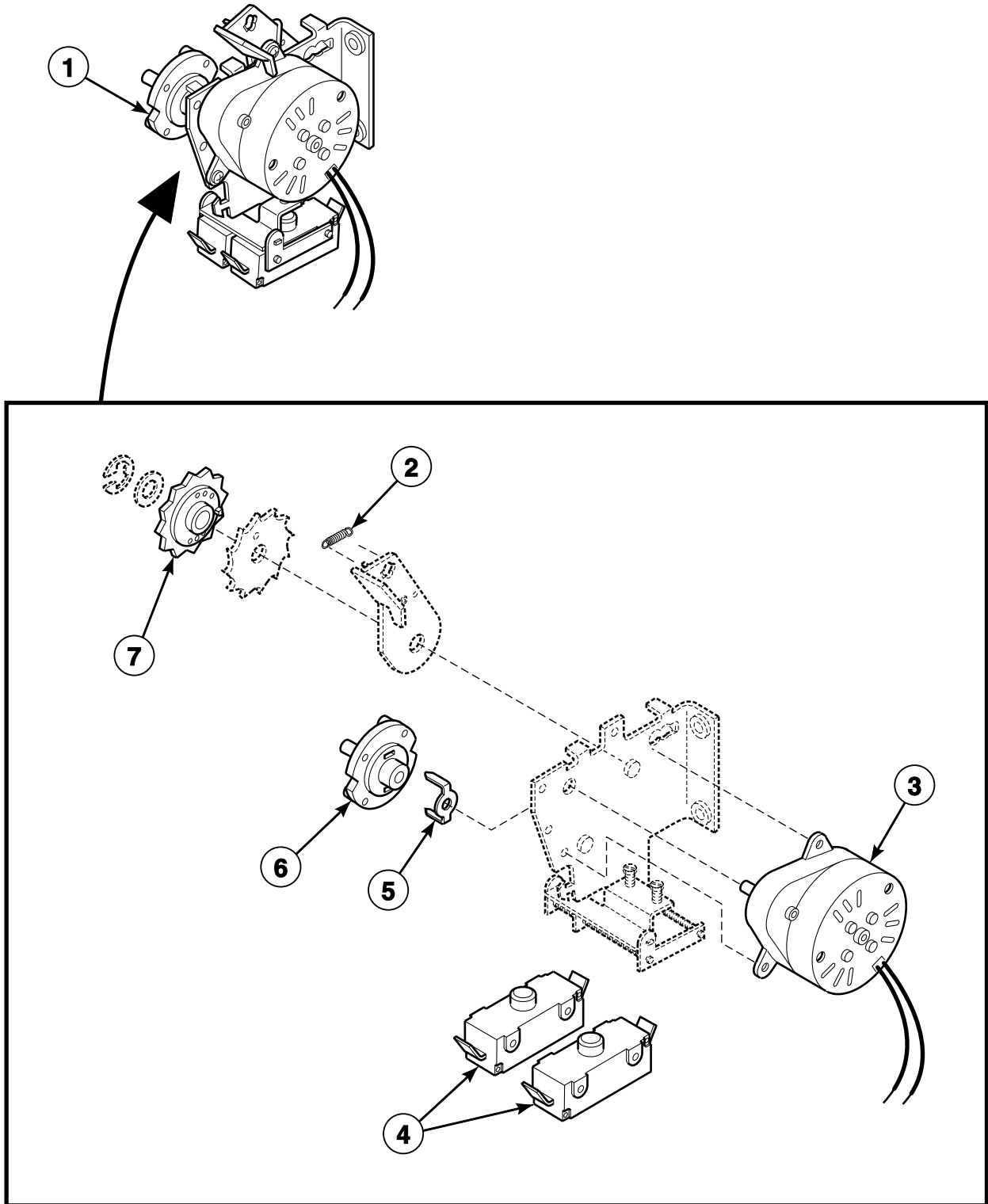
Cabinet Top - Front Control Coin Drop and Card Reader Installed Models

REF	PART NO.	DESCRIPTION	COMMENTS
1	N/A	Security Top Panel	
2	36048	Screw	
3	29651	Bolt	
4	503688	Screw	
5	36020	Nut	
6	802247WP	Top and Gusset Assembly	White
	510032LP	Top Kit	Almond
	802247QP	Top and Gusset Assembly	Bisque
7	23008	Screw	
8	29796	Nut	

* Add Letter To Designate Color. L - Almond Q - Bisque W - White
N/A = Part no longer available

Accumulator - Coin Slide Models

Models HDE107*F1502, HDE107*F1702, HDE107*F3000, HDE107*G3003, HDE107*G3018, HDE107*G4018, HDG109*F1102, HDG109*F3000, HDG109*G3013, HDG109*M3013, HFE167*G4018, SDE107*F3000, SDE107*F4350, SDE107*F5412, SDE107*F5417, SDE107*G3018, SDE107*G4018, SDG109*F3000, SDG109*F3058, SDG109*F3060, SDG109*F5412, SDG109*G3013 and SDG109*M3013



DRY1852P_506055

Accumulator - Coin Slide Models

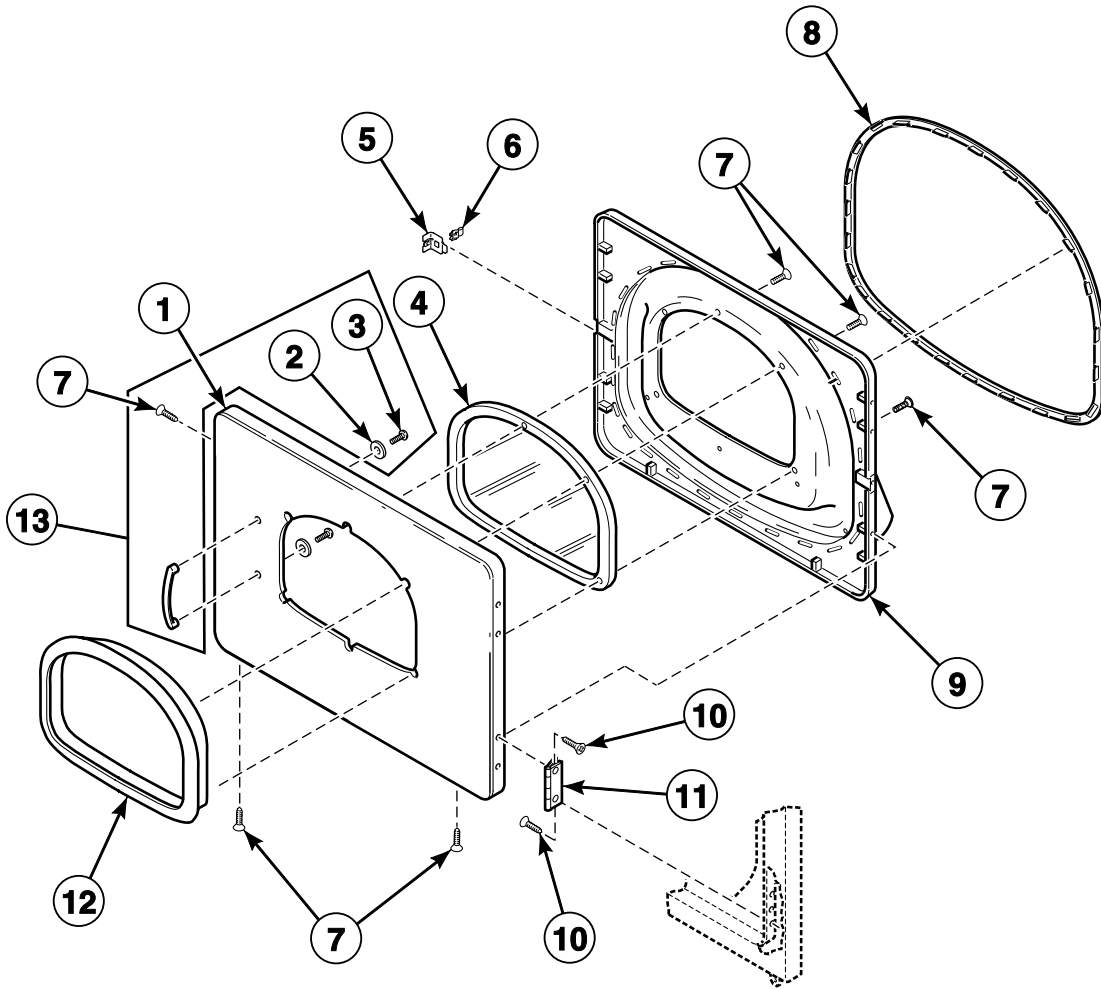
REF	PART NO.	DESCRIPTION	COMMENTS
1	510629P	Accumulator Replacement Kit	240 Volt/50 Hertz; 2 switch; Model HFE167*G4018
	501627P	Timer	230 Volt/60 Hertz; 2 switch; Models SDE107*F5412, SDE107*F5417 and SDG109*F5412
	501754P	Timer Assembly	Rear control; 240 Volt/50 Hertz; 2 switch; Models HDE107*F3000, HDE107*G3003, HDE107*G3018, HDE107*G4018, HDG109*F3000, HDG109*M3013, SDE107*F3000, SDE107*F4350, SDE107*G3018, SDE107*G4018, SDG109*F3000, SDG109*F3058, SDG109*F3060 and SDG109*M3013
	501757P	Timer	Rear control; 120 Volt/60 Hertz; 2 switch; Models HDE107*F1502, HDE107*F1702 and HDG109*F1102
	510632P	Accumulator Kit	Rear control; 240 Volt/50 Hertz; 2 switch; Models HDG109*G3013 and SDG109*G3013
2	N/A	Pawl Spring	
3	512017P	Timer Motor	120 Volt/60 Hertz; Models HDE107*F1502, HDE107*F1702 and HDG109*F1102
4	N/A	Switch	
5	M400754	Coin Meter Drive	
6	53240	Timing Cam	60 minute; 3 pin
	53241	Timing Cam	45 minute; 4 pin
	53242	Timing Cam	30 minute; 6 pin
	53243	Timing Cam	20 minute; 9 pin
7	53239	Ratchet Wheel	

* Add Letter To Designate Color. L - Almond Q - Bisque W - White

N/A = Part no longer available

Loading Door with Window (Drawing 1 of 3)

Models GFEG17NG3018, GFEG17NG4018, GFEX17NG3018, GFEX17NG4018, GFEY17NG3018, GFEY17NG4018, GFGG19NM3020, GFGX19NM3020, GFGY19NM3020, KFEG17NG3018, KFEG17NG4018, KFEX17NG3018, KFEX17NG4018, KFEY17NF1702, KFEY17NG3018, KFEY17NG4018, KFGG19NF1102, KFGG19NM3020, KFGT19NF1102, KFGX19NM3020, KFGY19NF1102 and KFGY19NM3020



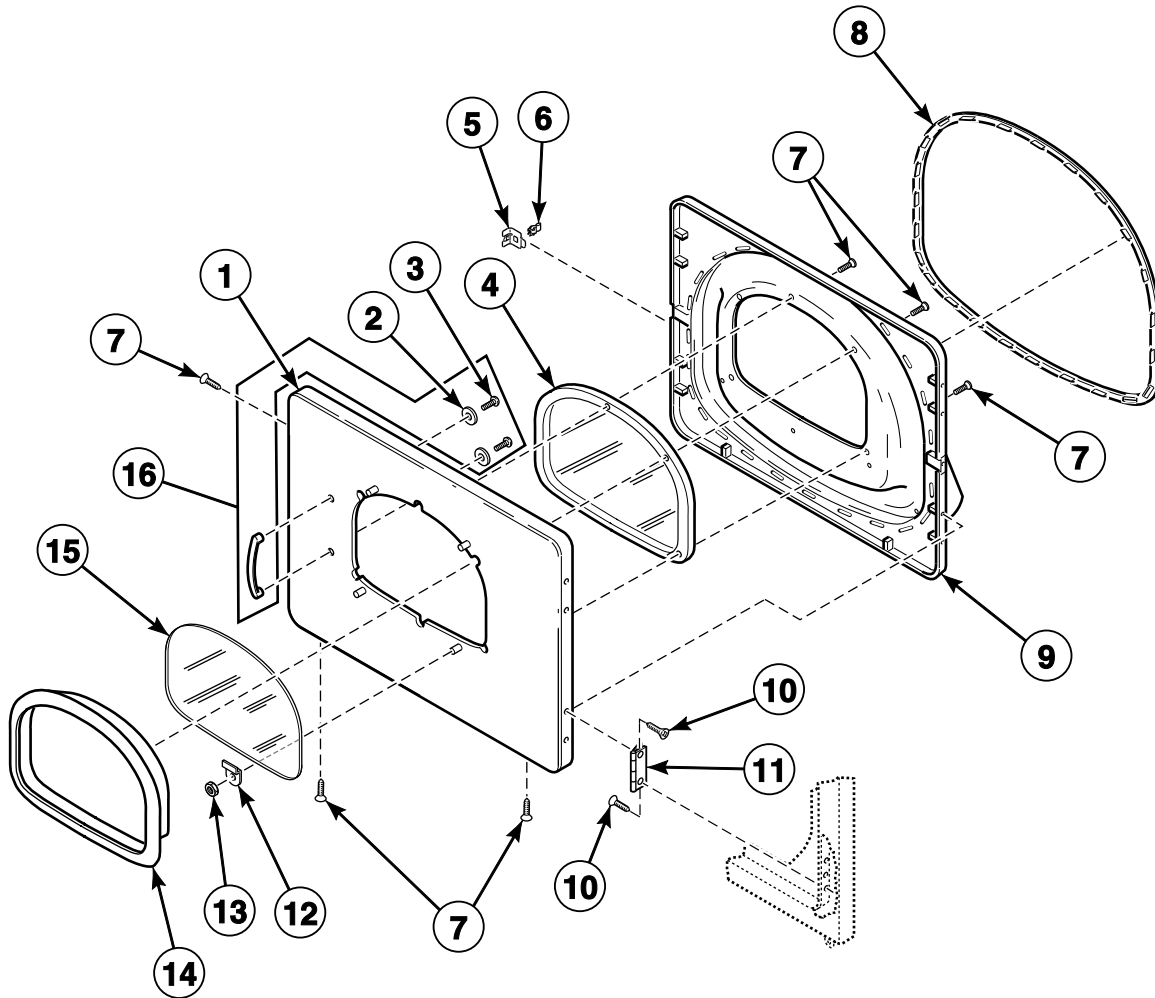
DRY2041P_506055

Loading Door with Window (Drawing 1 of 3)

REF	PART NO.	DESCRIPTION	COMMENTS
1	512699	Dryer Door	
2	29260	Washer	
3	512631	Screw	
4	503982P	Dryer Door Window	
5	510127	Door Strike Mount	
6	510181	Door Strike	
7	500226	Screw	
8	510147P	Liner Door Seal	
9	512914	Liner Assembly	
10	514461	Screw	
11	511036	Hinge	
12	512632	Window Trim	Gray
13	512620P	Door Pull Kit	Includes items 2 and 3

Loading Door with Window (Drawing 2 of 3)

Models KFEG17NF1702 and KFET17NF1702



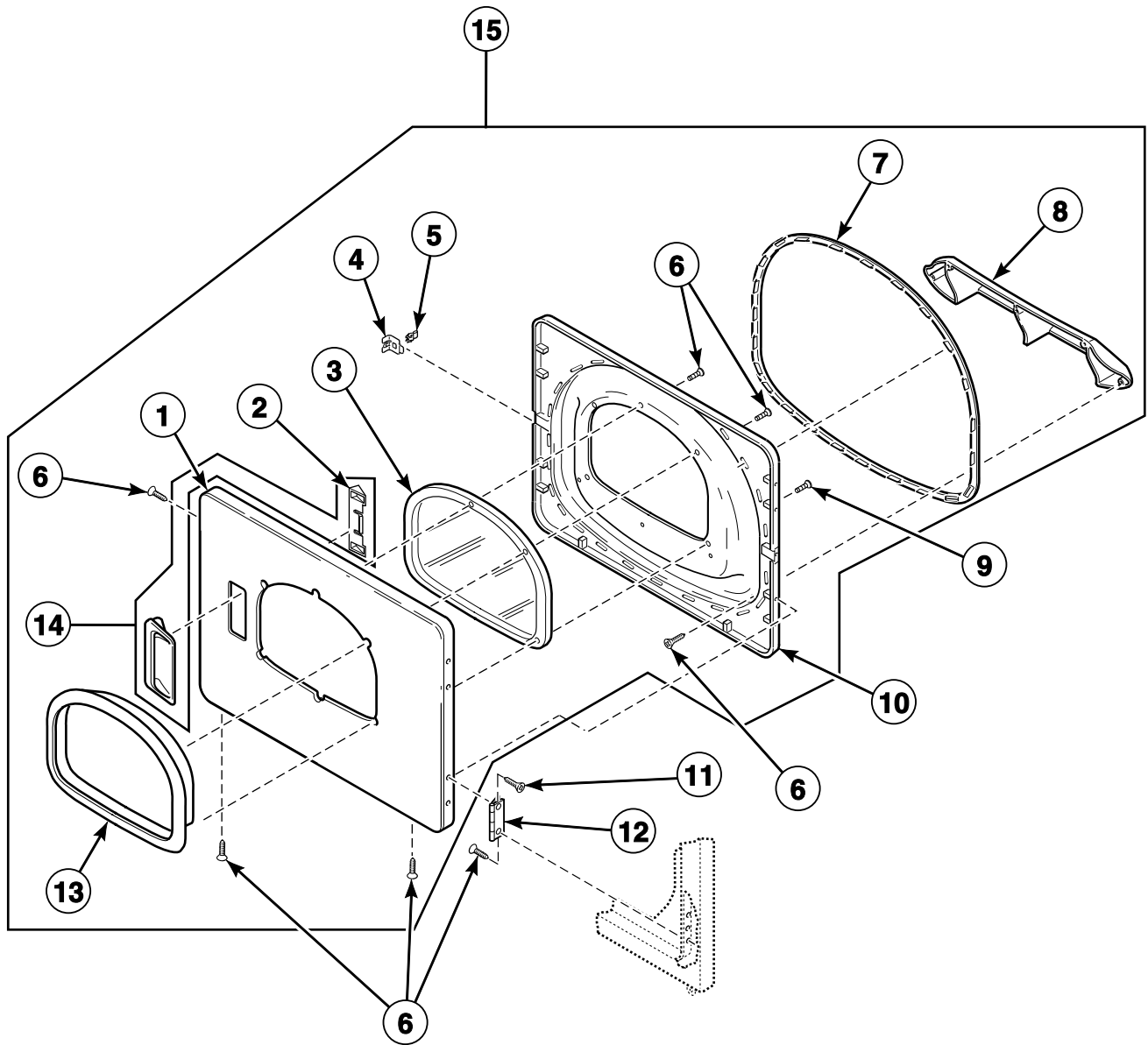
DRY2291P_506055

Loading Door with Window (Drawing 2 of 3)

REF	PART NO.	DESCRIPTION	COMMENTS
1	512699	Dryer Door	Models through Serial No. 1303025314
	514167	Dryer Door Assembly	Models starting Serial No. 1303025315
2	29260	Washer	
3	512631	Screw	
4	503982P	Dryer Door Window	
5	510127	Door Strike Mount	
6	510181	Door Strike	
7	500226	Screw	
8	510147P	Liner Door Seal	
9	512914DG	Liner, Seal and Grill Assembly	
10	514461	Screw	
11	511036	Hinge	
12	513958	Window Clip	Models starting Serial No. 1303025315
13	44071201	Nut	Models starting Serial No. 1303025315
14	512632	Window Trim	Models through Serial No. 1303025314
	514258	Window Trim	Models starting Serial No. 1303025315
15	513910	Glass Door Window	Models starting Serial No. 1303025315
16	512620P	Door Pull Kit	Includes items 2 and 3

Loading Door with Window (Drawing 3 of 3)

Models BDGBLFGW541NW01, JDEBEFGW301EW01, JDEBFGW301EW01, JDEBGFWSW301EN01, JDGBEFGW301EW01, JDGBFGW301EW01 and JDGBGFWSW301EN01



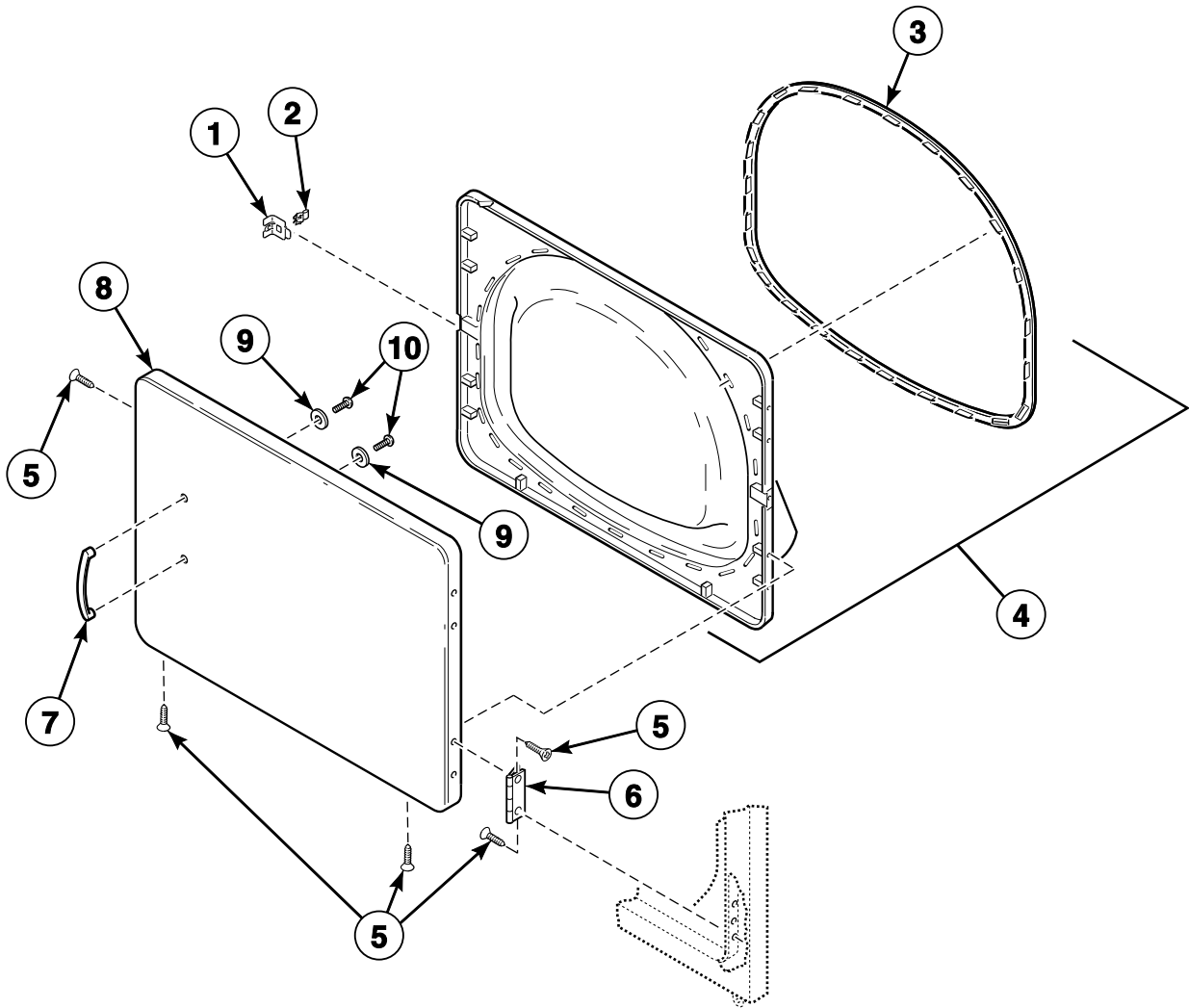
D427P_506055

Loading Door with Window (Drawing 3 of 3)

REF	PART NO.	DESCRIPTION	COMMENTS
1	513225	Dryer Door	Light gray; Models JDEBGFSW301EN01 and JDGBGFSW301EN01
	510082WP	Dryer Door	White; All other models
2	510129	Door Handle Wedge	
3	503982P	Dryer Door Window	
4	510127	Door Strike Mount	
5	510181	Door Strike	
6	500226	Screw	
7	510147P	Liner Door Seal	
8	503870W	Door Liner Grill	
9	505870	Screw	
10	513109P	Liner, Seal and Grill Assembly	Gray; Models JDEBGFSW301EN01 and JDGBGFSW301EN01
	510098W	Liner and Seal Assembly	Includes item 7; All other models
11	514461	Screw	
12	511036	Hinge	
13	512633	Window Trim	Gray; Models JDEBGFSW301EN01 and JDGBGFSW301EN01
	503981W	Window Trim	White; All other models
14	512947	Door Pull	Light Gray; Models JDEBGFSW301EN01 and JDGBGFSW301EN01
	510103WP	Door Pull and Wedge Kit	White; Includes item 2; All other models
15	511636WP	Door and Liner Assembly	White; Includes items 1-10, 13 and 14; Models JDEBEFGW301EW01, JDEBFGW301EW01, JDGBEFGW301EW01 and JDGBFGW301EW01

Loading Door without Window (Drawing 1 of 2)

Model KU3MNFCS401NN01



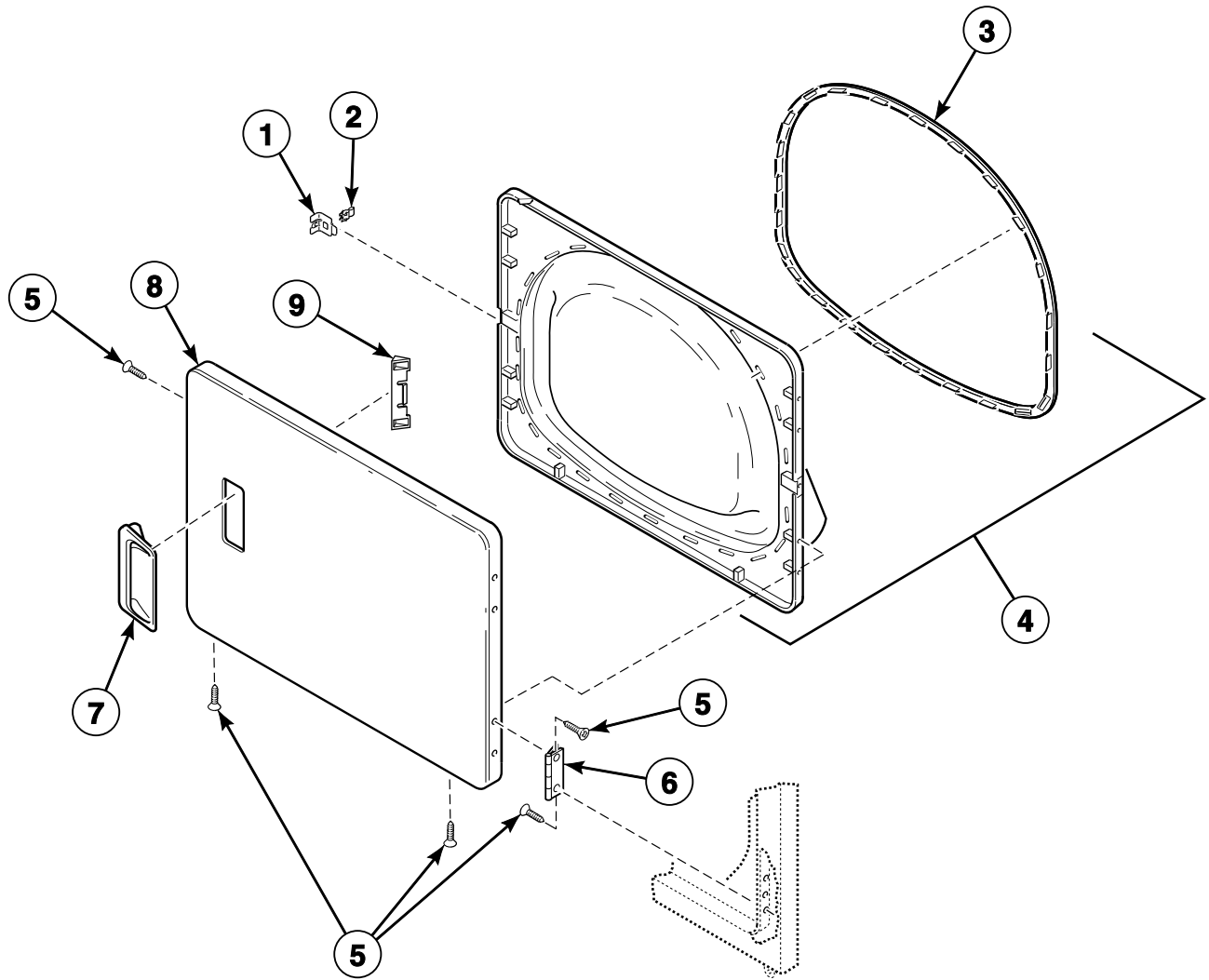
DRY2236P_506055

Loading Door without Window (Drawing 1 of 2)

REF	PART NO.	DESCRIPTION	COMMENTS
1	510127	Door Strike Mount	
2	510181	Door Strike	
3	510147P	Liner Door Seal	
4	513531	Door Liner and Seal Assembly	
5	514461	Screw	
6	511036	Hinge	
7	512620P	Door Pull Kit	Includes items 9 and 10
8	512704	Dryer Door	
9	29260	Washer	
10	512631	Screw	

Loading Door without Window (Drawing 2 of 2)

All Models Except BDGBLFGW541NW01, JDEBEFGW301EW01, JDEBFGGW301EW01, JDEBGFWSW301EN01, JDGBEFGW301EW01, JDGBFGGW301EW01, JDGBGFWSW301EN01, KU3MNFCS401NN01, GFEG17NG3018, GFEG17NG4018, GFEX17NG3018, GFEX17NG4018, GFEY17NG3018, GFEY17NG4018, GFGG19NM3020, GFGX19NM3020, GFGY19NM3020, KFEG17NF1702, KFEG17NG3018, KFEG17NG4018, KFET17NF1702, KFEX17NG3018, KFEX17NG4018, KFEY17NF1702, KFEY17NG3018, KFEY17NG4018, KFGG19NF1102, KFGG19NM3020, KFGT19NF1102, KFGX19NM3020, KFGY19NF1102 and KFGY19NM3020



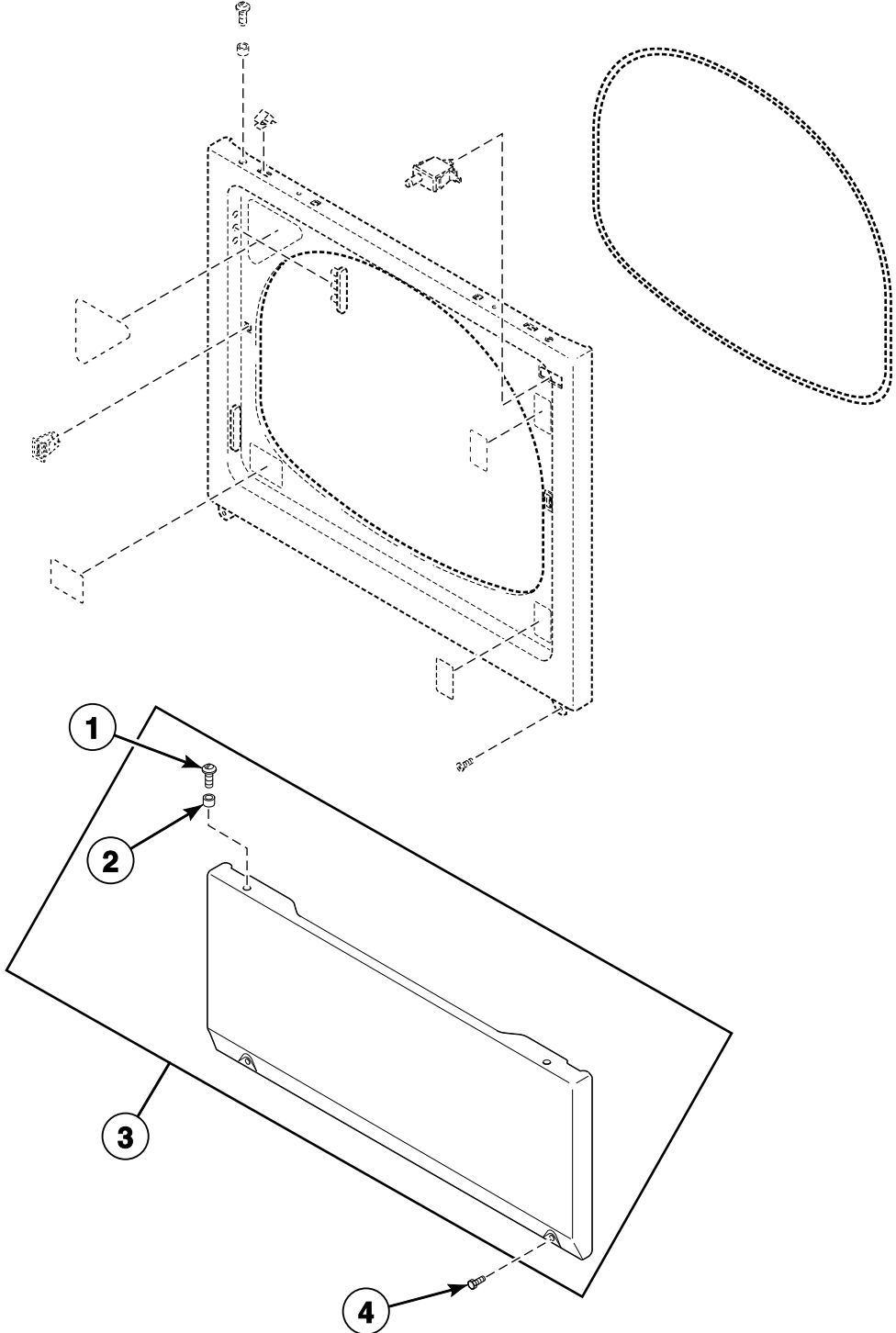
DRY1857P_506055

Loading Door without Window (Drawing 2 of 2)

REF	PART NO.	DESCRIPTION	COMMENTS
1	510127	Door Strike Mount	
2	510181	Door Strike	
3	510147P	Liner Door Seal	
4	510289LG	Door Liner and Seal Assembly	Gray; Models SDESXRGS151CW02 and SDESXRGS171CW02
	513109P	Liner, Seal and Grill Assembly	Gray; Model BDGBEFGS111CN01; Models BDEBEFGS171CN01, BDEBEFGS171CW01, HDE807*F1702, HDE907*F1502, HDE907*F1702, HDER07*F1502, HDER07*F1702, HDEX07*F1502, HDEX07*F1702, HDEY07*F1502, HDEY07*F1702, HFEX07*F1702, HFEY07*F1502 and UDE807*F1702 starting Serial No. 1303025315
	510163WP	Liner, Seal and Grill Assembly	White; Includes item 3; Models BDEBEFGS171CN01, BDEBEFGS171CW01, HDE807*F1702, HDE907*F1502, HDE907*F1702, HDER07*F1502, HDER07*F1702, HDEX07*F1502, HDEX07*F1702, HDEY07*F1502, HDEY07*F1702, HFEX07*F1702, HFEY07*F1502 and UDE807*F1702 through Serial No. 1303025314; All other models
5	514461	Screw	
6	511036	Hinge	
7	510103WP	Door Pull and Wedge Kit	White; Includes item 9
	510103LP	Door Pull and Wedge Kit	Almond; Includes item 9
	510103QP	Door Pull and Wedge Kit	Bisque; Includes item 9
	512947	Door Pull	Light gray
8	510013WP	Dryer Door	White
	510013GP	Dryer Door	Gray
	510013LP	Dryer Door	Almond
	510013QP	Dryer Door	Bisque
	512969	Dryer Door	Stainless steel; Includes item 9
9	510129	Door Handle Wedge	

* Add Letter To Designate Color. G - Gray L - Almond Q - Bisque W - White

Access Panel



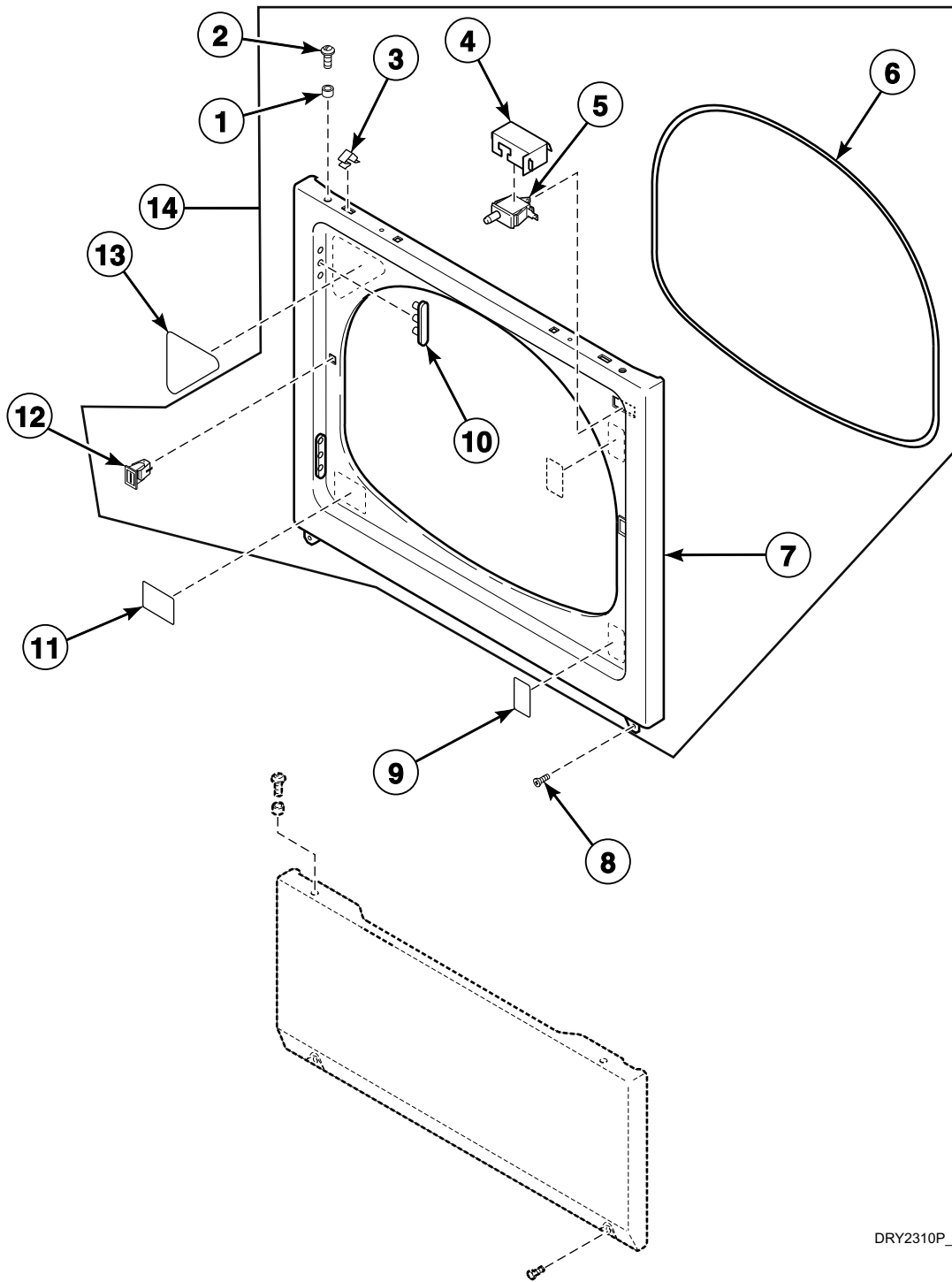
DRY1776PA_506055

Access Panel

REF	PART NO.	DESCRIPTION	COMMENTS
1	39733	Screw	
2	56079	Panel Locator	
3	514251	Access Panel Assembly	Stainless steel; Models BDEBEFGS171CN01, KFEG17NF1702 and KFET17NF1702 through Serial No. 1303025314; Models BDGBEFGS111CN01, JDEBGF3W301EN01, JDGBGF3W301EN01, BFEX07*G4018, BFGL09*M3013, GFEG17NG3018, GFEG17NG4018, GFEX17NG3018, GFEX17NG4018, GFEY17NG3018, GFEY17NG4018, GFGG19NM3020, GFGX19NM3020, GFGY19NM3020, KFEG17NF1702, KFEG17NG3018, KFEG17NG4018, KFET17NF1702, KFEX17NG3018, KFEX17NG4018, KFEY17NF1702, KFEY17NG3018, KFEY17NG4018, KFGG19NF1102, KFGG19NM3020, KFGT19NF1102, KFGX19NM3020, KFGY19NF1102, KFGY19NM3020, SFEL07*G4018, SFEX07*G4018, SFGL09*M3013 and SFGX09*M3013
	514253	Access Panel and Guard Assembly	Stainless steel; Models BDEBEFGS171CN01, KFEG17NF1702 and KFET17NF1702 starting Serial No. 1303025315
	513521	Access Panel	Model KU3MNFCS401NN01
	514252W	Access Panel and Guard Assembly	White; Models BDEBEFGS171CN01, BDEBEFGS171CW01, HDE807*F1702, HDE907*F1502, HDE907*F1702, HDER07*F1502, HDER07*F1702, HDEX07*F1502, HDEX07*F1702, HDEY07*F1502, HDEY07*F1702, HFEX07*F1702, HFEY07*F1502 and UDE807*F1702 starting Serial No. 1303025315; Models HDEBXFGS131DW01, SDEBXFGS131DW01, SDESXRG151CW02 and SDESXRG171CW02
	514252Q	Access Panel and Guard Assembly	Bisque; Models BDEBEFGS171CN01, BDEBEFGS171CW01, HDE807*F1702, HDE907*F1502, HDE907*F1702, HDER07*F1502, HDER07*F1702, HDEX07*F1502, HDEX07*F1702, HDEY07*F1502, HDEY07*F1702, HFEX07*F1702, HFEY07*F1502 and UDE807*F1702 starting Serial No. 1303025315
	514252G	Access Panel with Guard Assembly	Gray; Models BDEBEFGS171CN01, BDEBEFGS171CW01, HDE807*F1702, HDE907*F1502, HDE907*F1702, HDER07*F1502, HDER07*F1702, HDEX07*F1502, HDEX07*F1702, HDEY07*F1502, HDEY07*F1702, HFEX07*F1702, HFEY07*F1502 and UDE807*F1702 starting Serial No. 1303025315
	514250WP	Access Panel Assembly	White; Models BDEBEFGS171CN01, BDEBEFGS171CW01, HDE807*F1702, HDE907*F1502, HDE907*F1702, HDER07*F1502, HDER07*F1702, HDEX07*F1502, HDEX07*F1702, HDEY07*F1502, HDEY07*F1702, HFEX07*F1702, HFEY07*F1502 and UDE807*F1702 through Serial No. 1303025314; All other models
	514250G	Access Panel Assembly	Gray; Models BDEBEFGS171CN01, BDEBEFGS171CW01, HDE807*F1702, HDE907*F1502, HDE907*F1702, HDER07*F1502, HDER07*F1702, HDEX07*F1502, HDEX07*F1702, HDEY07*F1502, HDEY07*F1702, HFEX07*F1702, HFEY07*F1502 and UDE807*F1702 through Serial No. 1303025314; All other models
	510069LP	Access Panel	Almond; Models BDEBEFGS171CN01, BDEBEFGS171CW01, HDE807*F1702, HDE907*F1502, HDE907*F1702, HDER07*F1502, HDER07*F1702, HDEX07*F1502, HDEX07*F1702, HDEY07*F1502, HDEY07*F1702, HFEX07*F1702, HFEY07*F1502 and UDE807*F1702 through Serial No. 1303025314; All other models
	514250Q	Access Panel Assembly	Bisque; Models BDEBEFGS171CN01, BDEBEFGS171CW01, HDE807*F1702, HDE907*F1502, HDE907*F1702, HDER07*F1502, HDER07*F1702, HDEX07*F1502, HDEX07*F1702, HDEY07*F1502, HDEY07*F1702, HFEX07*F1702, HFEY07*F1502 and UDE807*F1702 through Serial No. 1303025314; All other models
4	33562	Screw	
	62853	Screw	Optional for added security

* Add Letter To Designate Color. G - Gray L - Almond Q - Bisque W - White N - Stainless Steel

Front Panel and Seal



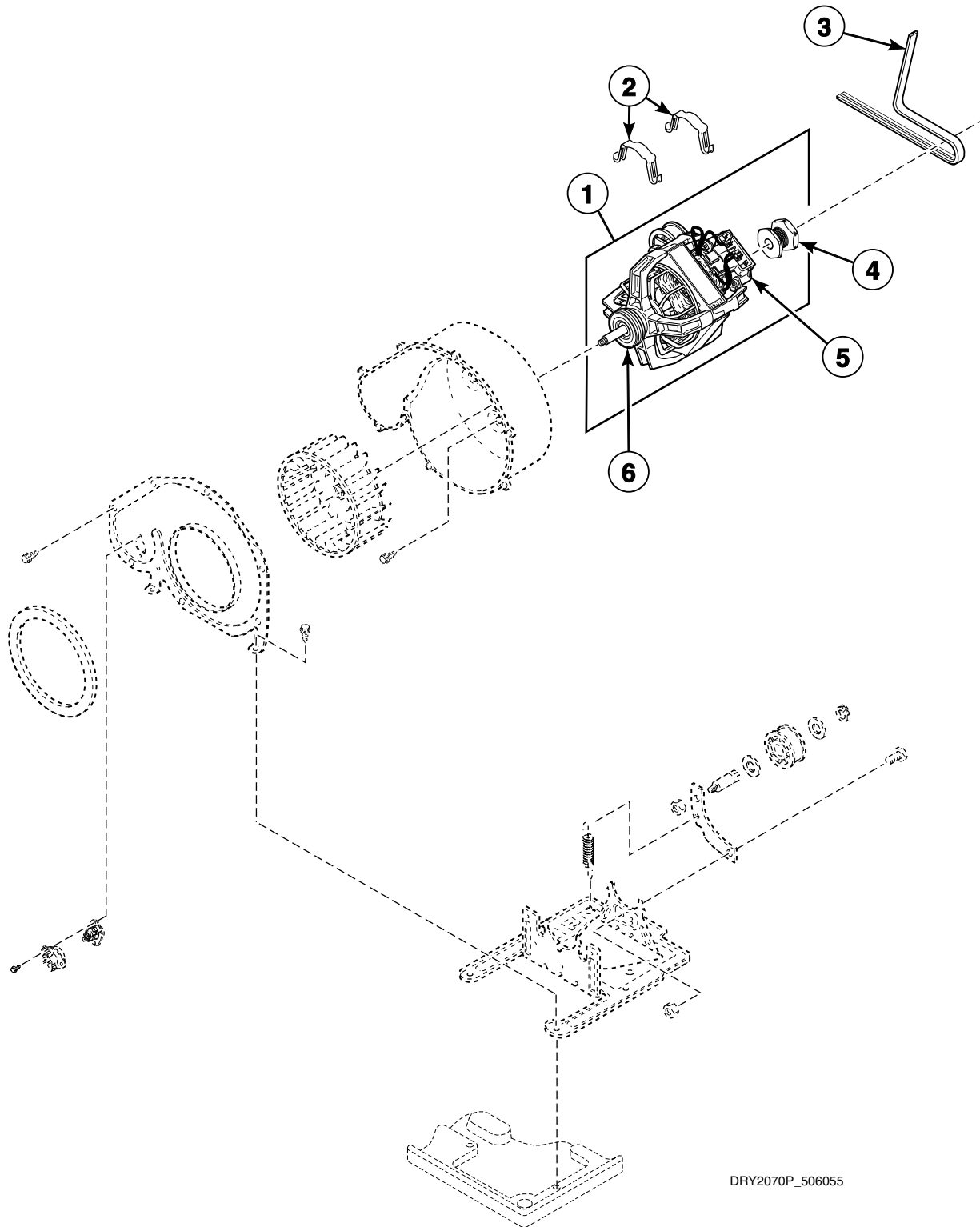
DRY2310P_506055

Front Panel and Seal

REF	PART NO.	DESCRIPTION	COMMENTS
1	56079	Panel Locator	
2	39733	Screw	Use with painted front panel
	512921	Screw	Use with stainless steel front panel
3	28835	Speed Clip	
4	514327	Drip Shield	Models BDGBXRG301AW01 and PDG809*F3060
5	512973	Switch	
6	511056	Front Panel Seal	
7	512542	Front Panel	Stainless steel
	510066WP	Front Panel	White
	510066GP	Front Panel	Gray
	510066LP	Front Panel	Almond
	510066QP	Front Panel	Bisque
8	M405188	Screw	Use with stainless steel side panels
	503688	Screw	Use with painted side panels
9	512263	Warning Label	Models BDEBLFGS431AW01, BDEMNRRGS431AW01, BDGBLFGS301AW01, BDGBXRG301AW01, BDGMNRRGS301AW01, BFEX07*F4350, BFGX09*F3060, JDE807*F4350, JDE907*F4350, JDG809*F3060, JDG909*F3060, PDG809*F3060, SDE007*F4350, SDE107*F4350, SDE407*F4350, SDE807*F4350, SDE907*F4350, SDEA07*J4350, SDEF07*J4350, SDEX07*F4350, SDG009*F3058, SDG009*F3060, SDG109*F3058, SDG109*F3060, SDG409*F3058, SDG809*F3060, SDG909*F3060, SDGF09*J3060, SDGX09*F3060 and SFEX07*F4350
10	510186	Hinge Hole Plug	
11	502804	Clean Lint Label	Models BDEBLFGS431AW01, BDEMNRRGS431AW01, BDGBLFGS301AW01, BDGBXRG301AW01, BDGMNRRGS301AW01, BFEX07*F4350, BFGX09*F3060, JDE807*F4350, JDE907*F4350, JDG809*F3060, JDG909*F3060, PDG809*F3060, SDE007*F4350, SDE107*F4350, SDE407*F4350, SDE807*F4350, SDE907*F4350, SDEA07*J4350, SDEF07*J4350, SDEX07*F4350, SDG009*F3058, SDG009*F3060, SDG109*F3058, SDG109*F3060, SDG409*F3058, SDG809*F3060, SDG909*F3060, SDGF09*J3060, SDGX09*F3060 and SFEX07*F4350
12	510177	Door Catch Assembly	
13	500253	Caution Label	Models with 99N2, 1102, 1502 or 1702 suffixes of 12 digit model numbers or C in 12th position of 15 digit model numbers
	514226	Warning Label	Models HDEBXFGS131DW01, HDEBXFGS541DW01, HDGBXFGS121DW01, HDGBXFGS541DW01, SDEBXFGS131DW01, SDEBXFGS541DW01, SDGBXFGS121DW01 and SDGBXFGS541DW01
	500281	Warning/Caution Label	All other models
14	513781WP	Front Panel Assembly	Includes items 1-3, 5-7, 10, 11 and 511636WP Door Assembly, (2) 511036 Door Hinge and (8) 500226 Screw; Models BDGBLFGW541NW01, JDEBEFGW301EW01, JDEBGF301EW01, JDEBGF301EN01, JDGBEFGW301EW01, JDGBGF301EW01 and JDGBGF301EN01

* Add Letter To Designate Color. G - Gray L - Almond Q - Bisque W - White

Motor and Belt



DRY2070P_506055

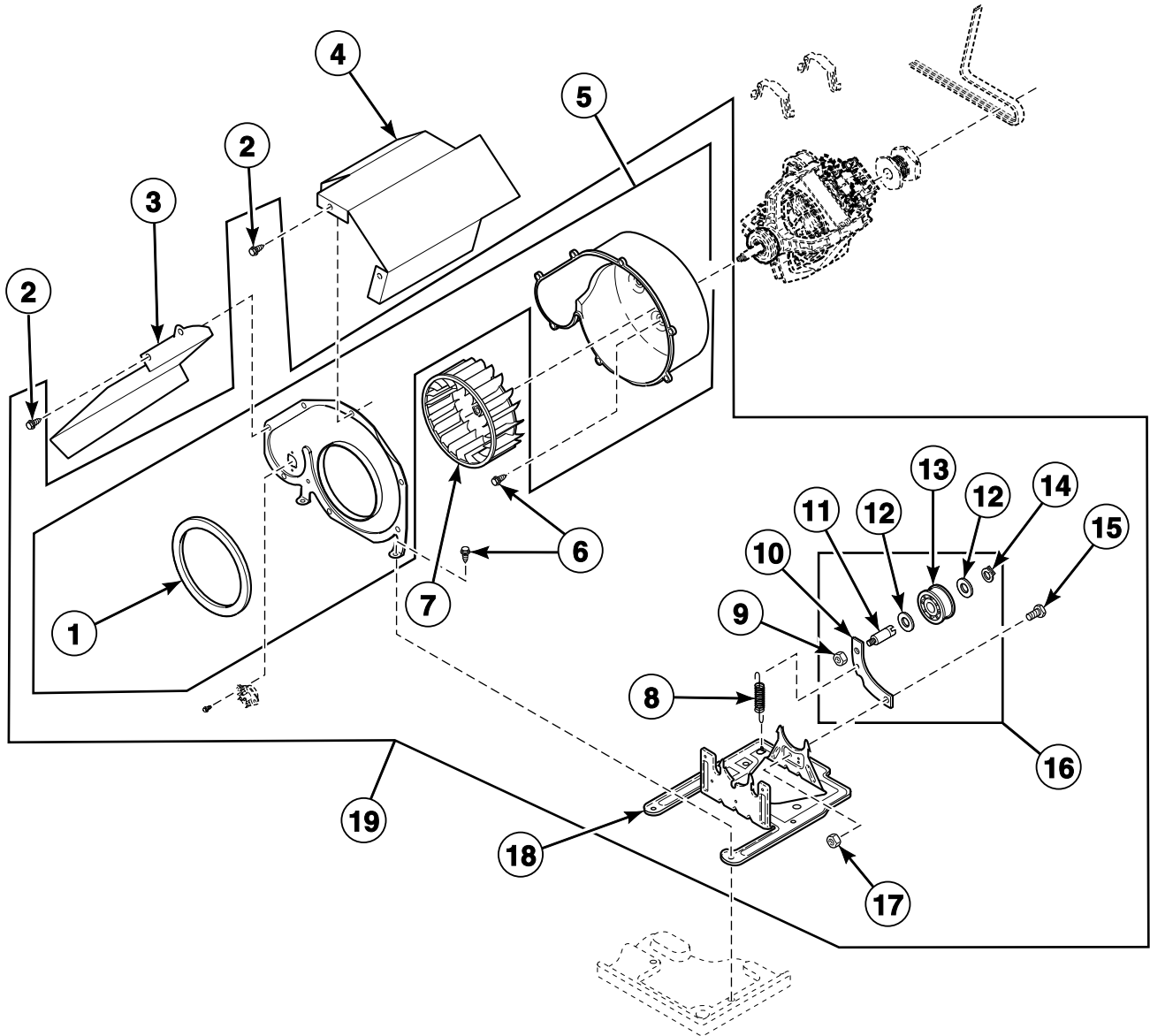
Motor and Belt

REF	PART NO.	DESCRIPTION	COMMENTS
	27604P	Anti-Seize Compound	Apply to motor shaft when installing blower fan assembly
1	511629P	Motor and Pulley Assembly	120 Volt/60 Hertz; Includes items 5 and 6; Apply anti-seize compound to motor shaft when installing blower fan assembly; Models with 99N2, 1102, 1502 and 1702 suffixes of 12 digit model numbers or C in 12th position of 15 digit model numbers; Models HDEBFXFGS131DW01, HDGBXFGS121DW01, HDEBXRGS171FW28, SDEBFXFGS131DW01, SDESXRGS151CW02, SDESXRGS171CW02 and SDGBXFGS121DW01
	505869P	Motor and Pulley Assembly	240 Volt/60 Hertz; Includes items 5 and 6; Apply anti-seize compound to motor shaft when installing blower fan assembly; Models BDGBLFGW541NW01, HDEBFXFGS541DW01, HDGBXFGS541DW01, SDEBFXFGS541DW01, SDESXRGS541NW22, SDGBXFGS541DW01, SDLSXRGS541NQ23, SDLSXRGS541NW23, GDE807*F5418, GDE907*F5418, JDE807*F5418, NDE807*F5422, NDE907*F5422, NDG809*F5422, NDG909*F5422, SDE107*F5412, SDE107*F5417, SDE907*F5412, SDG109*F5412, SDG909*F5412 and SFEX07*F3300
	505843P	Motor and Pulley Assembly	240 Volt/50 Hertz; Includes items 5 and 6; Apply anti-seize compound to motor shaft when installing blower fan assembly; All other models
2	510180	Motor Mount Clamp	
3	511255P	Cylinder Belt	
4	500011	Motor Pulley	Use with 511629P and 505869P Motor and Pulley Assemblies; 60 Hertz; Models BDEBEFGS171CN01, BDEBEFGS171CW01, BDGBEFGS111CN01, BDGBEFGS111CW01, BDGBLFGW541NW01, HDEBFXFGS131DW01, HDEBFXFGS541DW01, HDEBXRGS171FW28, HDGBXFGS121DW01, HDGBXFGS541DW01, SDEBFXFGS131DW01, SDEBFXFGS541DW01, SDESXRGS151CW02, SDESXRGS171CW02, SDESXRGS541NW22, SDGBXFGS121DW01, SDGBXFGS541DW01, SDLSXRGS541NQ23, SDLSXRGS541NW23, BDG809*F1102, BDG909*F1102, HDE007*F1702, HDE107*F1502, HDE107*F1702, HDE507*F1502, HDE507*F1702, HDE707*F1502, HDE707*F1702, HDE807*F1702, HDE907*F1502, HDE907*F1702, HDEB07*J1502, HDEB07*J1702, HDEF07*J1502, HDEF07*J1702, HDER07*F1502, HDER07*F1702, HDET07*F1502, HDET07*F1702, HDEX07*F1502, HDEX07*F1702, HDEY07*F1502, HDEY07*F1702, HDEY07*F99N2, HDEZ07*F1502, HDEZ07*F1702, HDG009*F1102, HDG109*F1102, HDG509*F1102, HDG709*F1102, HDG809*F1102, HDG909*F1102, HDGB09*J1102, HDGF09*J1102, HDGR09*F1102, HDGT09*F1102, HDGX09*F1102, HDGY09*F1102, HDGZ09*F1102, HFE507*F1702, HFE707*F1702, HFEB07*J1702, HFEX07*F1702, HFEY07*F1502, HFEY07*F1702, HFG509*F1102, HFG709*F1102, HFGX09*F1102, HFGY09*F1102, KFEG17NF1702, KFET17NF1702, KFEY17NF1702, KFGG19NF1102, KFGT19NF1102, KFGY19NF1102, NDE807*F5422, NDE907*F5422, NDG809*F5422, NDG909*F5422, SDE107*F5412, SDE107*F5417, SDE907*F5412, SDG109*F5412, SDG909*F5412, SFEX07*F3300, UDE807*F1702 and UDG809*F1102
	500222	Motor Pulley	Use with 505843P Motor and Pulley Assembly; 50 Hertz; All other models
5	N/A	Motor Switch Kit	Does not include thermal protector
6	590P3	Motor Hub Ring Kit	

* Add Letter To Designate Color. G - Gray L - Almond Q - Bisque W - White N - Stainless Steel

N/A = Part no longer available

Exhaust Fan and Idler Assembly



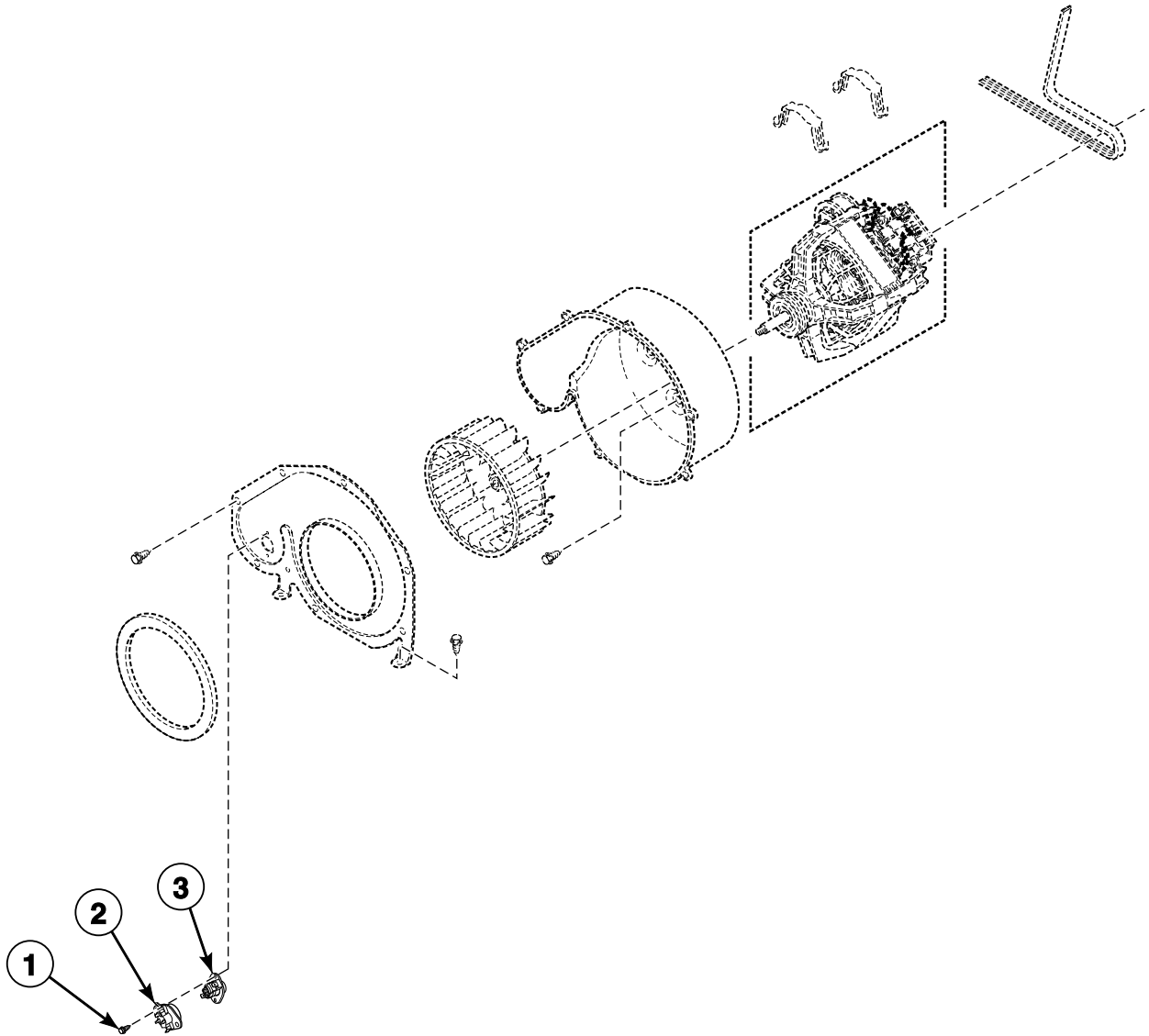
DRY2312P_506055

Exhaust Fan and Idler Assembly

REF	PART NO.	DESCRIPTION	COMMENTS
	27604P	Anti-Seize Compound	Apply to motor shaft when installing blower fan assembly
1	510238P	Blower Housing Seal	
2	31260	Screw	
3	514325	Thermostat Shield	Model PDG809*F3060
4	514602	Motor Shield	Model PDG809*F3060
5	511969WP	Blower Housing	White; Includes items 1 and 2
	511969LG	Blower Housing	Gray; Includes items 1 and 2
6	503688	Screw	
7	510139P	Blower Fan Assembly	Apply anti-seize compound to motor shaft when installing blower fan assembly
8	510185	Idler Spring	
9	56156	Nut	
10	510133	Idler Lever	
11	56461P	Shaft	
12	52549	Washer	
13	510142P	Idler Wheel and Bearing Assembly	
14	23748	Retaining Ring	
15	500824	Screw	
16	510158	Idler Lever and Wheel Assembly	Includes items 9-14
17	52566	Nut	
18	510060	Motor Mount	
19	510717P	Blower and Fan Kit	Includes items 1, 2, 5-18, motor mount clamp, motor hub rings and motor and pulley assembly; Models BDEBEFGS171CN01, BDEBEFGS171CW01, BDGBEFGS111CN01, BDGBEFGS111CW01, HDEBXFGS131DW01, HDEBXRGS171FW28, HDGBXFGS121DW01, SDEBXFGS131DW01, SDGBXFGS121DW01, BDG809*F1102, BDG909*F1102, HDE007*F1702, HDE107*F1502, HDE107*F1702, HDE507*F1502, HDE507*F1702, HDE707*F1502, HDE707*F1702, HDE807*F1702, HDE907*F1502, HDE907*F1702, HDEB07*J1502, HDEB07*J1702, HDEF07*J1502, HDEF07*J1702, HDER07*F1502, HDER07*F1702, HDET07*F1502, HDET07*F1702, HDEX07*F1502, HDEX07*F1702, HDEY07*F1502, HDEY07*F1702, HDEY07*F99N2, HDEZ07*F1502, HDEZ07*F1702, HDG009*F1102, HDG109*F1102, HDG509*F1102, HDG709*F1102, HDG809*F1102, HDG909*F1102, HDGB09*J1102, HDGF09*J1102, HDGR09*F1102, HDGT09*F1102, HDGX09*F1102, HDGY09*F1102, HDGZ09*F1102, HFE507*F1702, HFE707*F1702, HFEB07*J1702, HFEX07*F1702, HFEY07*F1502, HFEY07*F1702, HFG509*F1102, HFG709*F1102, HFGX09*F1102, HFGY09*F1102, KFEG17NF1702, KFET17NF1702, KFEY17NF1702, KFGG19NF1102, KFGT19NF1102, KFGY19NF1102, UDE807*F1702 and UDG809*F1102

* Add Letter To Designate Color. G - Gray L - Almond Q - Bisque W - White N - Stainless Steel

Thermistor and Thermostat (Drawing 1 of 2)



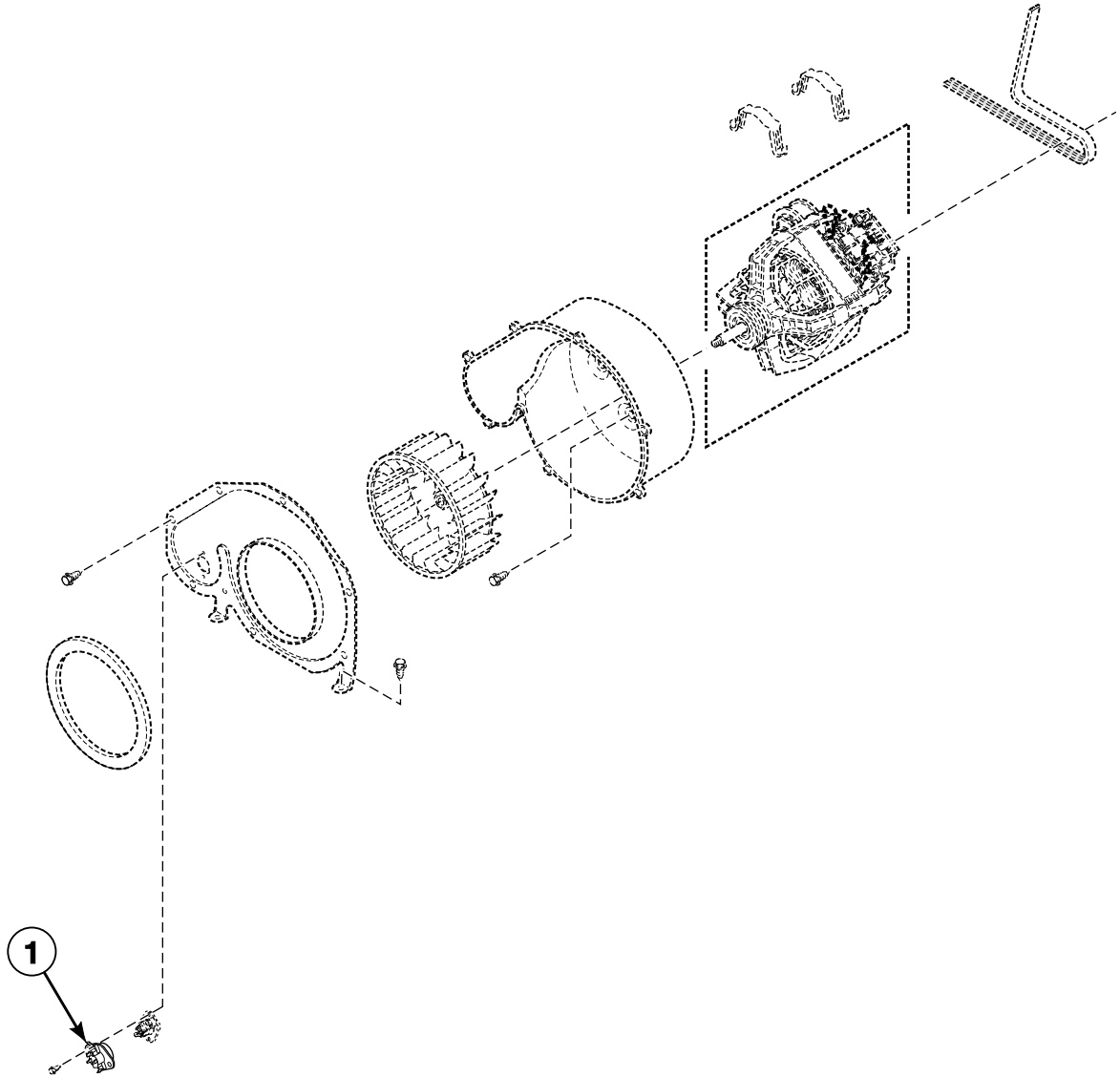
DRY1850P_506055

Thermistor and Thermostat (Drawing 1 of 2)

REF	PART NO.	DESCRIPTION	COMMENTS
1	502535	Screw	
2	511887	Thermostat	Tan/white; Models BDEMNRGS431AW01, BDGMNRGS301AW01, KU3MNFCS401NN01, FDE807*G3018, FDE807*G4018, GDE807*F5418, GDE807*G3018, HDE007*F3000, HDE007*G3003, HDE007*G3008, HDE007*G3010, HDE007*G4008, HDE007*G4010, HDE107*F3000, HDE107*G3003, HDE107*G3018, HDE107*G4018, HDG009*F3000, HDG009*M3008, HDG109*F3000, HDG109*M3013, HFE167*G4018, JDE807*F4350, JDE807*F5418, JDE807*G3018, JDG809*F3060, JDG809*M3013, JDG809*M3020, NDE007*G3018, NDE007*G4018, NDE807*F3022, NDE807*F5422, NDE807*G3018, NDE807*G4018, NDG809*F3022, NDG809*F5422, PDE807*G3018, PDE807*G4018, PDG809*F3060, PDG809*M3013, SDE007*F3000, SDE007*F4350, SDE007*G3018, SDE107*F3000, SDE107*F4350, SDE107*F5412, SDE107*F5417, SDE107*G3018, SDE107*G4018, SDE807*F3000, SDE807*F4350, SDG009*F3000, SDG009*F3058, SDG009*F3060, SDG109*F3000, SDG109*F3058, SDG109*F3060, SDG109*F5412, SDG109*M3013, SDG809*F3060, UDE007*F3000, UDE007*F3025, UDG009*F3000 and UDG009*F3025
	504515	Thermostat	Green; Models HDE007*F1702, HDE107*F1502, HDE107*F1702, HDG009*F1102 and HDG109*F1102 through Serial No. 0404
	512005	Thermostat	Green/white; Models UDE807*F1702 and UDG809*F1102; Models BDG809*F1102, HDE007*F1702, HDE107*F1502, HDE107*F1702, HDE807*F1702, HDG009*F1102, HDG109*F1102 and HDG809*F1102 starting Serial No. 0404
	504517	Thermostat	Red; Models HDG009*G3008, HDG109*G3013 and SDG109*G3013
3	M411941	Manual Reset Thermostat	Models BDGBLFGS301AW01, BDGBLFGW541NW01, BDGBXRGs301AW01, BFGX09*F3060, JDG809*F3060, JDG909*F3060, PDG809*F3060, SDG009*F3060, SDG109*F3060, SDG809*F3060, SDG909*F3060, SDGF09*J3060 and SDGX09*F3060

* Add Letter To Designate Color. G - Gray L - Almond Q - Bisque W - White N - Stainless Steel

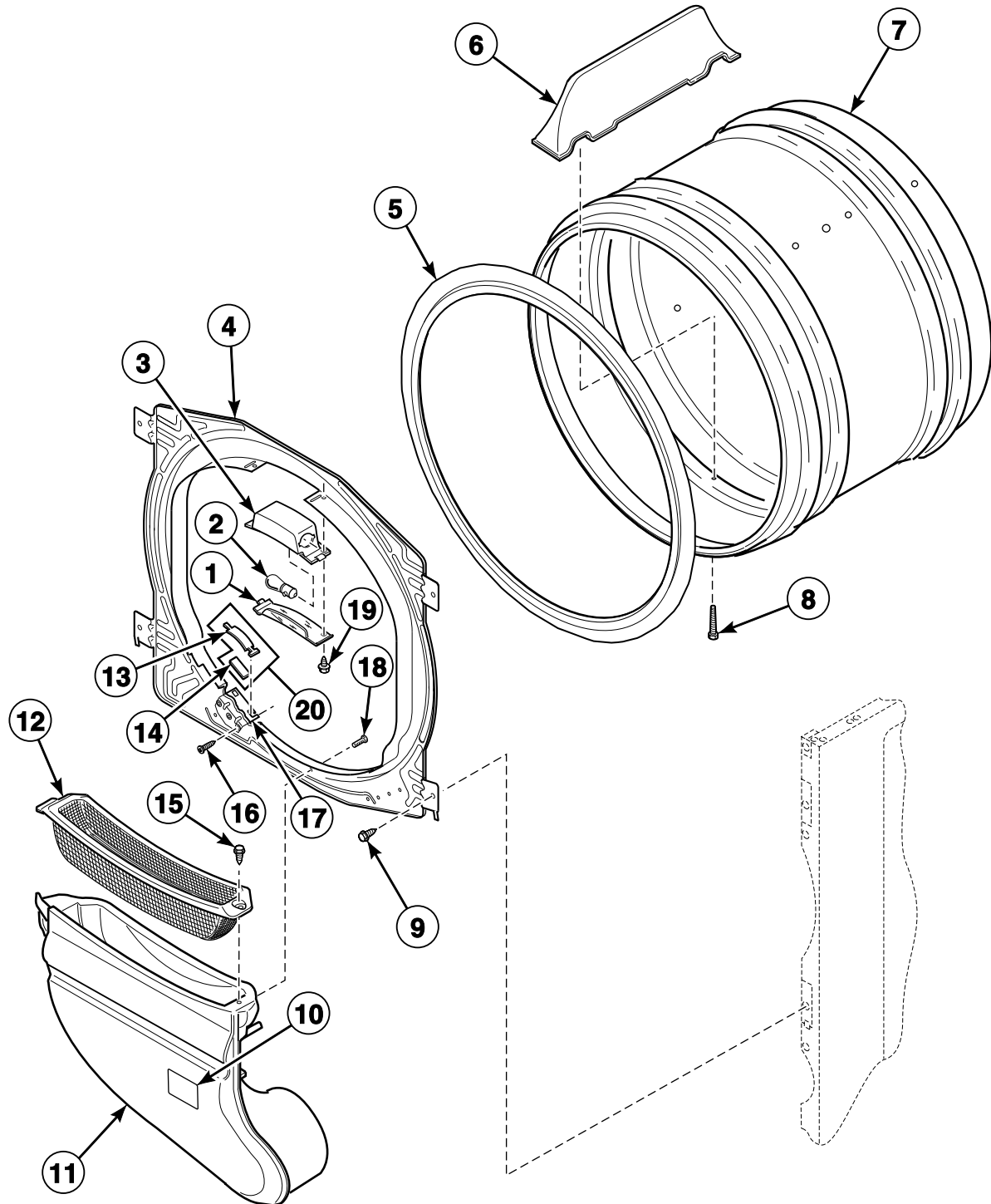
Thermistor and Thermostat (Drawing 2 of 2)



DRY1850PA_506055

Front Bulkhead, Air Duct, Felt Seal and Cylinder with Light

Models KU3MNFCS401NN01, GFEG17NG3018, GFEG17NG4018, GFEX17NG3018, GFEX17NG4018, GFEY17NG3018, GFEY17NG4018, GFGG19NM3020, GFGX19NM3020, GFGY19NM3020, HFEL47*G4018, KFEG17NF1702, KFEG17NG3018, KFEG17NG4018, KFET17NF1702, KFEX17NG3018, KFEX17NG4018, KFEY17NF1702, KFEY17NG3018, KFEY17NG4018, KFGG19NF1102, KFGG19NM3020, KFGT19NF1102, KFGX19NM3020, KFGY19NF1102, KFGY19NM3020, NFEL47*G4018 and NFGL49*M3013



DRY2136P_506055

Front Bulkhead, Air Duct, Felt Seal and Cylinder with Light

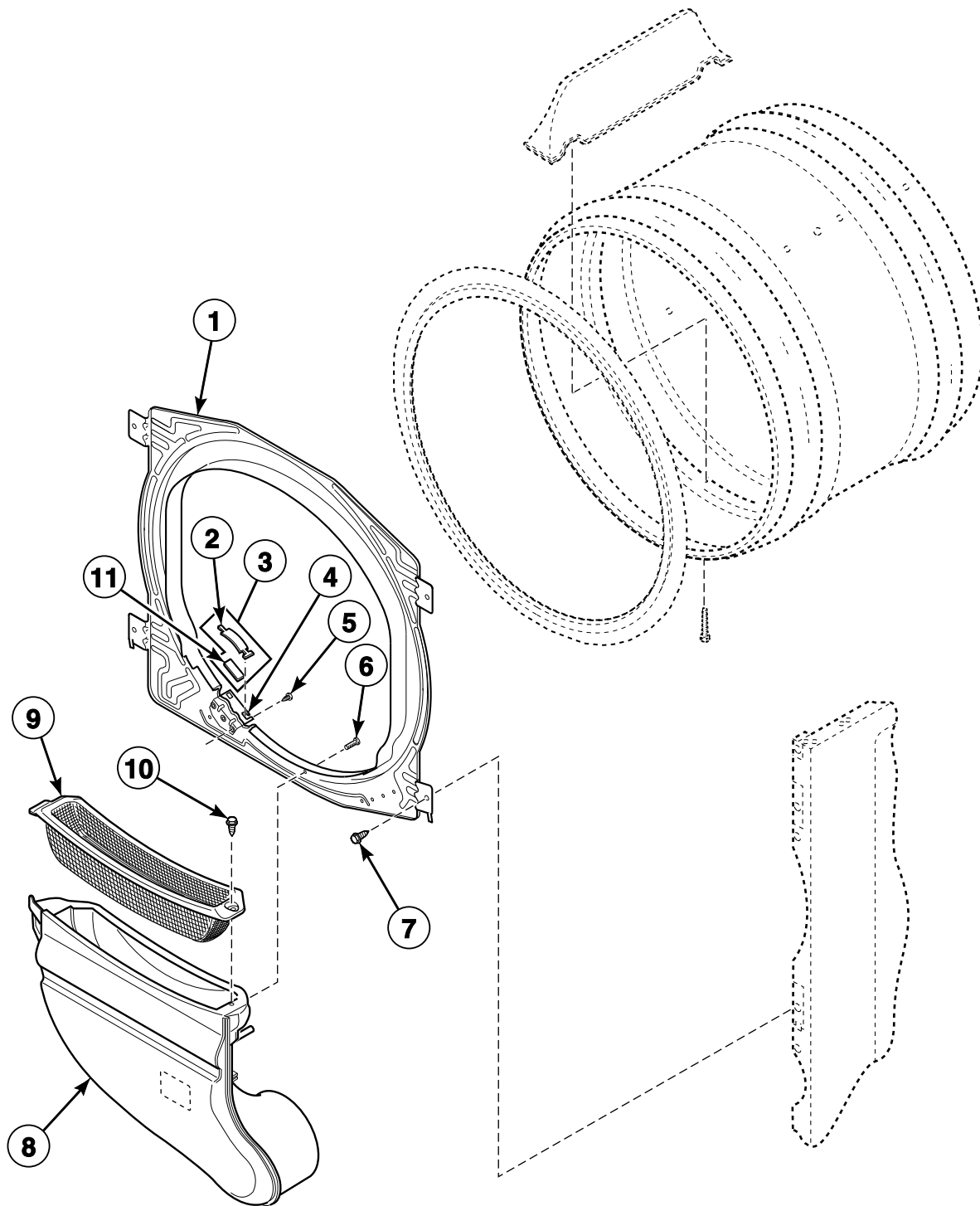
REF	PART NO.	DESCRIPTION	COMMENTS
1	512106	Cylinder Light Lens	
2	N/A	Drum Light Lamp	24 Volt; Models GFGG19NM3020, GFGX19NM3020, GFGY19NM3020, KFGG19NM3020, KFGX19NM3020, KFGY19NM3020 and NFGL49*M3013
	60954	Drum Light Lamp	120 Volt; Models KFEG17NF1702, KFET17NF1702, KFEY17NF1702, KFGG19NF1102, KFGT19NF1102 and KFGY19NF1102
	503579	Drum Light Lamp	240 Volt; All other models
3	512564	Cylinder Light Assembly	24 Volt; Models GFGG19NM3020, GFGX19NM3020, GFGY19NM3020, KFGG19NM3020, KFGX19NM3020, KFGY19NM3020 and NFGL49*M3013
	512108	Light Housing Assembly	120 Volt; Includes lamp; Models KFEG17NF1702, KFET17NF1702, KFEY17NF1702, KFGG19NF1102, KFGT19NF1102 and KFGY19NF1102
	512109	Cylinder Light Assembly	240 Volt; All other models
4	512476	Front Bulkhead Assembly	Galvanized; Includes items 3, 5, 13, 14 and 16; 24 Volt and 240 Volt Cylinder Light Assemblies and Lamps must be ordered seperately. Drum Light lens must be ordered seperately for models HFEL47*G4018, NFEL47*G4018 and NFGL49*M3013
5	510207P	Cylinder Seal Assembly	Apply adhesive when installing
	511637P	Adhesive	Apply to cylinder seal
	RB170001	Seal Kit	Includes 2 cylinder seals, 510238P Blower Housing Seal and 511637P Adhesive
6	510102W	Cylinder Baffle	White; Models HFEL47*G4018, NFEL47*G4018 and NFGL49*M3013
	510102DG	Cylinder Baffle	Gray; All other models
7	510265WP	Cylinder Assembly	Galvanized; Includes item 6; Models HFEL47*G4018, NFEL47*G4018 and NFGL49*M3013
	512999DG	Cylinder Assembly	Stainless steel; Models GFEG17NG3018, GFEG17NG4018, GFEX17NG3018, GFEX17NG4018, GFEY17NG3018, GFEY17NG4018, GFGG19NM3020, GFGX19NM3020 and GFGY19NM3020
	512700P	Cylinder Assembly	Galvanized; Includes 3 of item 6 and 6 of item 8; All other models
8	62588	Screw	
9	503688	Screw	Models HFEL47*G4018, NFEL47*G4018 and NFGL49*M3013
	M405188	Screw	All other models
10	500314	Warning Label	Models KFEG17NF1702, KFET17NF1702, KFEY17NF1702, KFGG19NF1102, KFGT19NF1102 and KFGY19NF1102
11	510151W	Air Duct Assembly	White; Models HFEL47*G4018, NFEL47*G4018 and NFGL49*M3013
	510151DG	Air Duct Assembly	Gray; All other models
12	503980W	Lint Filter	White; Models HFEL47*G4018, NFEL47*G4018 and NFGL49*M3013
	503980DG	Lint Filter	Gray; All other models
13	513710	Cylinder Glide	
14	510189	Felt Pad	
15	501285	Screw	
16	501086	Screw	
17	510145	Cylinder Glide Bracket	
18	514461	Screw	
19	500227	Screw	
20	RB170003	Glide Kit	Includes items 13 and 14

* Add Letter To Designate Color. Q - Bisque W - White

N/A = Part no longer available

Front Bulkhead and Air Duct

All Models Except KU3MNFCS401NN01, GFEG17NG3018, GFEG17NG4018, GFEX17NG3018, GFEX17NG4018, GFEY17NG3018, GFEY17NG4018, GFGG19NM3020, GFGX19NM3020, GFGY19NM3020, HFEL47*G4018, KFEG17NF1702, KFEG17NG3018, KFEG17NG4018, KFET17NF1702, KFEX17NG3018, KFEX17NG4018, KFEY17NF1702, KFEY17NG3018, KFEY17NG4018, KFGG19NF1102, KFGG19NM3020, KFGT19NF1102, KFGX19NM3020, KFGY19NF1102, KFGY19NM3020, NFEL47*G4018 and NFGL49*M3013



DRY1910P_506055

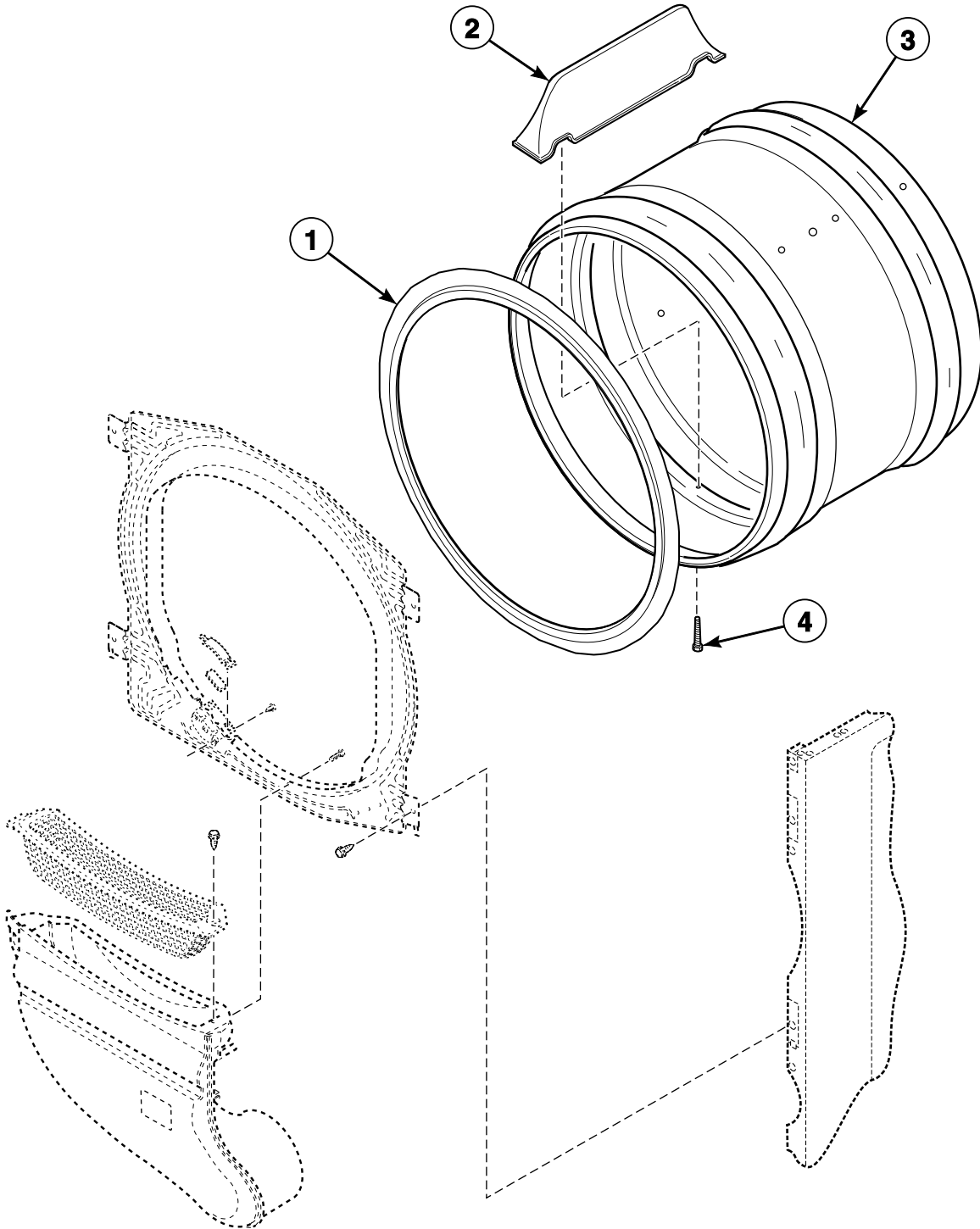
Front Bulkhead and Air Duct

REF	PART NO.	DESCRIPTION	COMMENTS
1	510266P	Front Bulkhead Assembly	Unpainted; Includes items 3-5 and felt seal
2	513710	Cylinder Glide	
3	RB170003	Glide Kit	Includes items 2 and 11
4	510145	Cylinder Glide Bracket	
5	52864	Screw	
6	514461	Screw	
7	503688	Screw	
8	510151LG	Air Duct Assembly	Light gray; Models BDEBEFGS171CN01, BDEBEFGS171CW01, SDESXRGS151CW02, SDESXRGS171CW02, HDE807*F1702, HDE907*F1502, HDE907*F1702, HDER07*F1502, HDER07*F1702, HDEX07*F1502, HDEX07*F1702, HDEY07*F1502, HDEY07*F1702, HFEX07*F1702, HFEY07*F1502 and UDE807*F1702 starting Serial No. 1303025315
	510151W	Air Duct Assembly	White; Models BDEBEFGS171CN01, BDEBEFGS171CW01, HDE807*F1702, HDE907*F1502, HDE907*F1702, HDER07*F1502, HDER07*F1702, HDEX07*F1502, HDEX07*F1702, HDEY07*F1502, HDEY07*F1702, HFEX07*F1702, HFEY07*F1502 and UDE807*F1702 through Serial No. 1303025314; All other models
9	503980LG	Lint Filter	Light gray; Models BDEBEFGS171CN01, BDEBEFGS171CW01, SDESXRGS151CW02, SDESXRGS171CW02, HDE807*F1702, HDE907*F1502, HDE907*F1702, HDER07*F1502, HDER07*F1702, HDEX07*F1502, HDEX07*F1702, HDEY07*F1502, HDEY07*F1702, HFEX07*F1702, HFEY07*F1502 and UDE807*F1702 starting Serial No. 1303025315
	503980W	Lint Filter	White; Models BDEBEFGS171CN01, BDEBEFGS171CW01, HDE807*F1702, HDE907*F1502, HDE907*F1702, HDER07*F1502, HDER07*F1702, HDEX07*F1502, HDEX07*F1702, HDEY07*F1502, HDEY07*F1702, HFEX07*F1702, HFEY07*F1502 and UDE807*F1702 through Serial No. 1303025314; All other models
10	501285	Screw	
11	510189	Felt Pad	

* Add Letter To Designate Color. G - Gray L - Almond Q - Bisque W - White N - Stainless Steel

Felt Seal and Cylinder without Light

All Models Except KU3MNFCS401NN01, GFEG17NG3018, GFEG17NG4018, GFEX17NG3018, GFEX17NG4018, GFEY17NG3018, GFEY17NG4018, GFGG19NM3020, GFGX19NM3020, GFGY19NM3020, HFEL47*G4018, KFEG17NF1702, KFEG17NG3018, KFEG17NG4018, KFET17NF1702, KFEX17NG3018, KFEX17NG4018, KFEY17NF1702, KFEY17NG3018, KFEY17NG4018, KFGG19NF1102, KFGG19NM3020, KFGT19NF1102, KFGX19NM3020, KFGY19NF1102, KFGY19NM3020, NFEL47*G4018 and NFGL49*M3013



DRY1910PA_506055

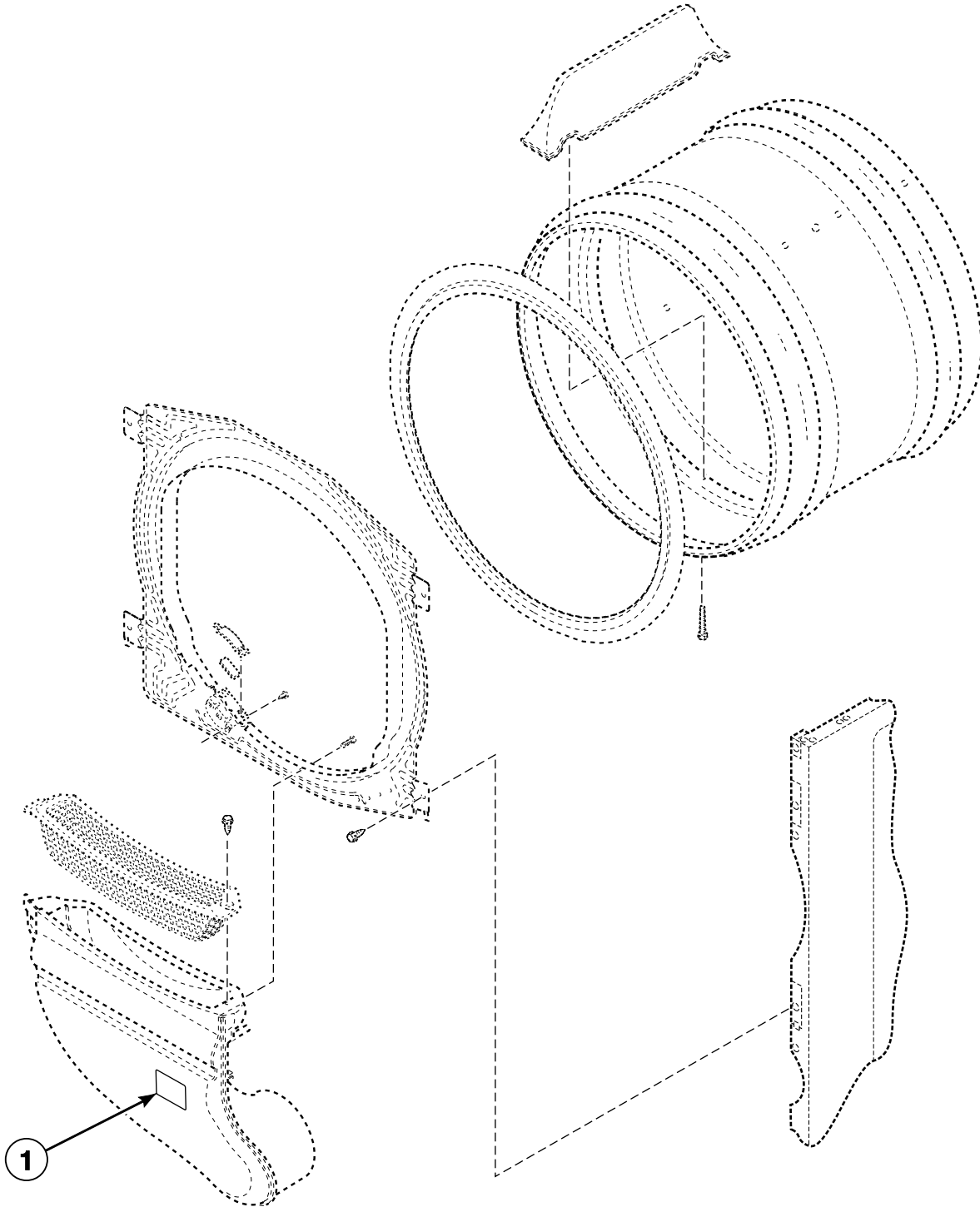
Felt Seal and Cylinder without Light

REF	PART NO.	DESCRIPTION	COMMENTS
1	510207P	Cylinder Seal Assembly	Apply adhesive when installing
	511637P	Adhesive	Apply to cylinder seal
	RB170001	Seal Kit	Includes 2 cylinder seals, 510238P Blower Housing Seal and 511637P Adhesive
2	510102LG	Cylinder Baffle	Light gray; Models BDEBEFGS171CN01, BDEBEFGS171CW01, HDE807*F1702, HDE907*F1502, HDE907*F1702, HDER07*F1502, HDER07*F1702, HDEX07*F1502, HDEX07*F1702, HDEY07*F1502, HDEY07*F1702, HFEX07*F1702, HFEY07*F1502 and UDE807*F1702 starting Serial No. 1303025315
	510102W	Cylinder Baffle	White; Models BDEBEFGS171CN01, BDEBEFGS171CW01, HDE807*F1702, HDE907*F1502, HDE907*F1702, HDER07*F1502, HDER07*F1702, HDEX07*F1502, HDEX07*F1702, HDEY07*F1502, HDEY07*F1702, HFEX07*F1702, HFEY07*F1502 and UDE807*F1702 through Serial No. 1303025314; All other models
3	510265LGP	Cylinder Assembly	Galvanized; Includes item 2 in light gray; Models BDEBEFGS171CN01, BDEBEFGS171CW01, HDE807*F1702, HDE907*F1502, HDE907*F1702, HDER07*F1502, HDER07*F1702, HDEX07*F1502, HDEX07*F1702, HDEY07*F1502, HDEY07*F1702, HFEX07*F1702, HFEY07*F1502 and UDE807*F1702 starting Serial No. 1303025315
	510265WP	Cylinder Assembly	Galvanized; Includes item 2 in white; Models BDEBEFGS171CN01, BDEBEFGS171CW01, HDE807*F1702, HDE907*F1502, HDE907*F1702, HDER07*F1502, HDER07*F1702, HDEX07*F1502, HDEX07*F1702, HDEY07*F1502, HDEY07*F1702, HFEX07*F1702, HFEY07*F1502 and UDE807*F1702 through Serial No. 1303025314; All other models
	505929LGP	Cylinder Assembly	Stainless steel; Includes item 2 in light gray
4	62588	Screw	

* Add Letter To Designate Color. G - Gray L - Almond Q - Bisque W - White N - Stainless Steel

Air Duct Label

All Models Except KU3MNFCS401NN01, GFEG17NG3018, GFEG17NG4018, GFEX17NG3018, GFEX17NG4018, GFEY17NG3018, GFEY17NG4018, GFGG19NM3020, GFGX19NM3020, GFGY19NM3020, HFEL47*G4018, KFEG17NF1702, KFEG17NG3018, KFEG17NG4018, KFET17NF1702, KFEX17NG3018, KFEX17NG4018, KFEY17NF1702, KFEY17NG3018, KFEY17NG4018, KFGG19NF1102, KFGG19NM3020, KFGT19NF1102, KFGX19NM3020, KFGY19NF1102, KFGY19NM3020, NFEL47*G4018 and NFGL49*M3013



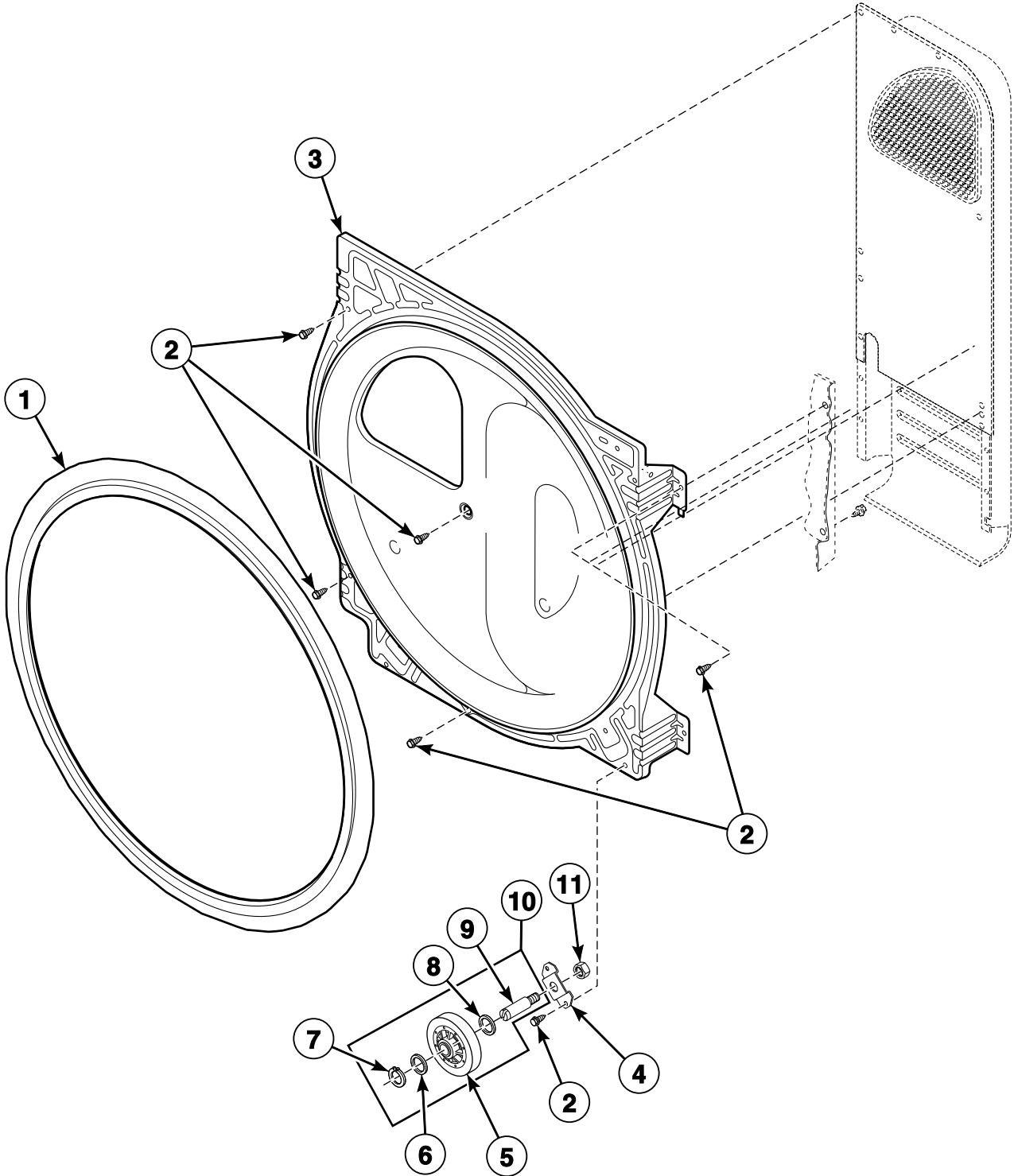
DRY1910PB_506055

Air Duct Label

REF	PART NO.	DESCRIPTION	COMMENTS
1	500314	Warning Label	Models BDEBEFGS171CN01, BDEBEFGS171CW01, BDGBEFGS111CN01, BDGBEFGS111CW01, HDEY07*F99N2 and models ending in 1102, 1502 and 1702
F8211201	Electrical Shock Label		Models HDEBXFGS131DW01, HDEBXFGS541DW01, HDGBXFGS121DW01, HDGBXFGS541DW01, JDEBEFGW301EW01, JDEBGF301EW01, JDEBGF301EN01, JDGBEFGW301EW01, JDGBGF301EW01, JDGBGF301EN01, NDEBXRGS301NW22, SDEBXFGS131DW01, SDEBXFGS541DW01, SDEBXRGS301NW22, SDGBXFGS121DW01, SDGBXFGS541DW01, BFEL07*G4018, BFEX07*G4018, BFGL09*M3013, BFGX09*M3013, FDE807*G3018, FDE807*G4018, GDE807*G3018, GDE907*F5418, GDE907*G3018, HDE107*G3018, HDE107*G4018, HDE907*G3018, HDE907*G4018, HDEX07*G3018, HDG109*G3013, HDG109*M3013, HDGX09*M3013, HFE167*G4018, HFEL67*G4018, HFGX09*M3013, JDE807*G3018, JDE907*G3018, JDG809*M3013, JDG909*M3013, NDE007*G3018, NDE007*G4018, NDE807*G3018, NDE807*G4018, NFEL67*G4018, NFEX07*G3018, NFEX07*G4018, NFGX09*M3013, PDE807*G3018, PDE807*G4018, PDG809*M3013, SDE007*G3018, SDE107*G3018, SDE107*G4018, SDE907*G3018, SDE907*G4018, SDEX07*G3018, SDEX07*G4018, SDG109*G3013, SDG109*M3013, SDG909*M3013, SDGX09*M3013, SFEA07*G3018, SFEL07*G4018, SFEL67*G4018, SFEX07*G3018, SFEX07*G4018, SFEX67*G4018, SFEX07*G4018, SFGL09*M3013 and SFGX09*M3013
F8211301	Pinched Fingers Label		Models HDEBXFGS131DW01, HDEBXFGS541DW01, HDGBXFGS121DW01, HDGBXFGS541DW01, JDEBEFGW301EW01, JDEBGF301EW01, JDEBGF301EN01, JDGBEFGW301EW01, JDGBGF301EW01, JDGBGF301EN01, NDEBXRGS301NW22, SDEBXFGS131DW01, SDEBXFGS541DW01, SDEBXRGS301NW22, SDGBXFGS121DW01, SDGBXFGS541DW01, BFEL07*G4018, BFEX07*G4018, BFGL09*M3013, BFGX09*M3013, FDE807*G3018, FDE807*G4018, GDE807*G3018, GDE907*G3018, HDE107*G3018, HDE107*G4018, HDE907*G3018, HDE907*G4018, HDEX07*G3018, HDG109*G3013, HDG109*M3013, HDGX09*M3013, HFE167*G4018, HFEL67*G4018, HFGX09*M3013, JDE807*G3018, JDE907*G3018, JDG809*M3013, JDG909*M3013, NDE007*G3018, NDE007*G4018, NDE807*G3018, NDE807*G4018, NFEL67*G4018, NFEX07*G3018, NFEX07*G4018, NFGX09*M3013, PDE807*G3018, PDE807*G4018, PDG809*M3013, SDE007*G3018, SDE107*G3018, SDE107*G4018, SDE907*G3018, SDE907*G4018, SDEX07*G3018, SDEX07*G4018, SDG109*G3013, SDG109*M3013, SDG909*M3013, SDGX09*M3013, SFEA07*G3018, SFEL07*G4018, SFEL67*G4018, SFEX07*G3018, SFEX07*G4018, SFEX67*G4018, SFEX07*G4018, SFGL09*M3013 and SFGX09*M3013
500049	Warning Label		All other models

* Add Letter To Designate Color. G - Gray L - Almond Q - Bisque W - White N - Stainless Steel

Rear Bulkhead, Felt Seal and Cylinder Roller



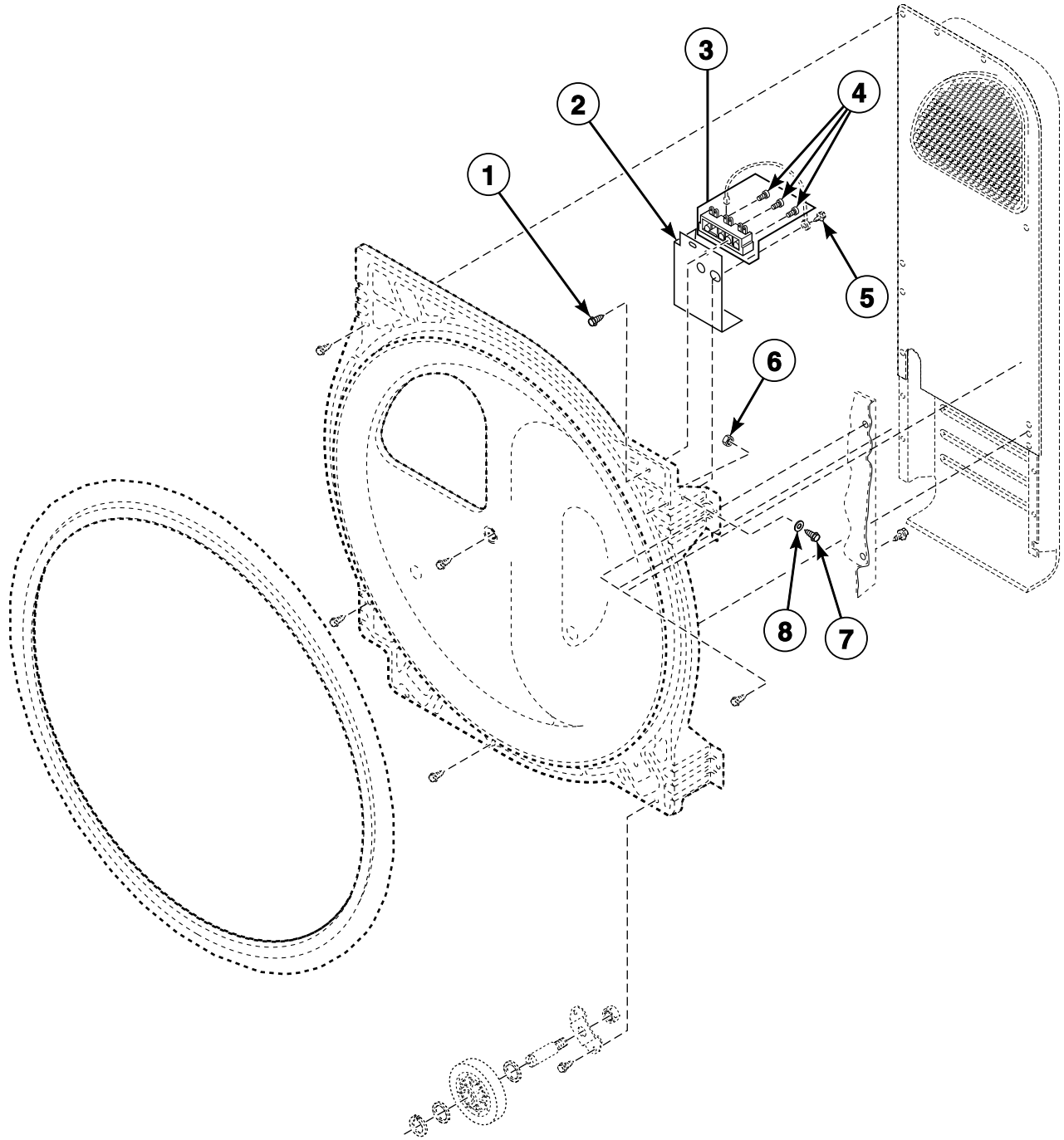
DRY2138P_506055

Rear Bulkhead, Felt Seal and Cylinder Roller

REF	PART NO.	DESCRIPTION	COMMENTS
1	510207P	Cylinder Seal Assembly	Apply adhesive when installing
	511637P	Adhesive	Apply to cylinder seal
	RB170001	Seal Kit	Includes 2 cylinder seals, 510238P Blower Housing Seal and 511637P Adhesive
2	503688	Screw	
3	512698	Rear Bulkhead	Polished; Models KU3MNFCS401NN01, GFEG17NG3018, GFEG17NG4018, GFEX17NG3018, GFEX17NG4018, GFEY17NG3018, GFEY17NG4018, GFGG19NM3020, GFGX19NM3020, GFGY19NM3020, KFEG17NF1702, KFEG17NG3018, KFEG17NG4018, KFET17NF1702, KFEX17NG3018, KFEX17NG4018, KFEY17NF1702, KFEY17NG3018, KFEY17NG4018, KFGG19NF1102, KFGG19NM3020, KFGT19NF1102, KFGX19NM3020, KFGY19NF1102 and KFGY19NM3020
	505246	Rear Bulkhead Assembly	Stainless steel; Includes item 1; All other models
	511082P	Rear Bulkhead Assembly	Galvanized; Includes item 1; All other models
4	510100	Cylinder Roller Bracket	
5	510708P	Cylinder Roller	
6	52549	Washer	
7	23748	Retaining Ring	
8	504082	Washer	
9	56461P	Shaft	
10	RB170002	Roller Kit	Includes items 5-9
11	56156	Nut	

* Add Letter To Designate Color. G - Gray L - Almond Q - Bisque W - White N - Stainless Steel

Terminal Block - Gas and 1 Phase Electric Models



DRY1774P_506055

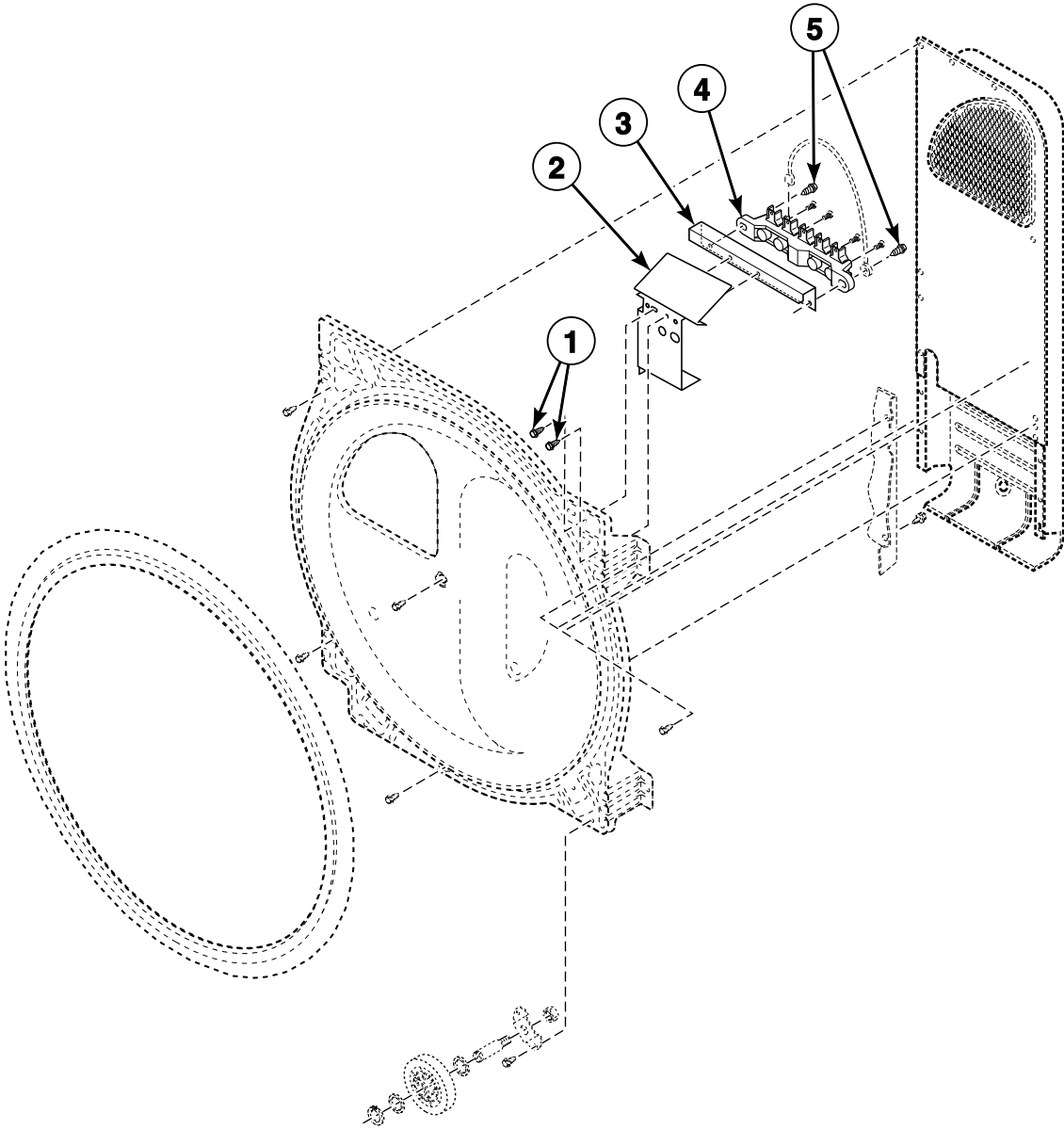
Terminal Block - Gas and 1 Phase Electric Models

REF	PART NO.	DESCRIPTION	COMMENTS
1	501285	Screw	
2	505768	Terminal Block Shield	Models HDEBXRGS171FW28, JDEBEFGW301EW01, JDEBGF301EW01, JDEBGF301EN01, JDGBEFGW301EW01, JDGBGF301EW01, JDGBGF301EN01, SDLSXRGS541NQ23, SDLSXRGS541NW23, BFG09*M3013, BFGX09*M3013, FDE807*G3018, GDE807*F5418, GDE807*G3018, GDE907*F5418, GDE907*G3018, GFEG17NG3018, GFEX17NG3018, GFEY17NG3018, GFGG19NM3020, GFGX19NM3020, GFGY19NM3020, HDE007*G3003, HDE007*G3008, HDE007*G3010, HDE107*G3003, HDE107*G3018, HDE807*F1702, HDE907*F1502, HDE907*F1702, HDE907*G3018, HDER07*F1502, HDER07*F1702, HDEX07*F1502, HDEX07*F1702, HDEX07*F3000, HDEX07*G3018, HDEY07*F1502, HDEY07*F1702, HDG009*G3008, HDG009*M3008, HDG109*G3013, HDG109*M3013, HDGX09*F3000, HDGX09*M3013, JDE807*F5418, JDE807*G3018, JDE907*G3018, JDG809*M3013, JDG809*M3020, JDG909*M3013, JDG909*M3020, KFEG17NG3018, KFEX17NG3018, KFEY17NG3018, KFGG19NM3020, KFGX19NM3020, KFGY19NM3020, NDE007*G3018, NDE807*F5422, NDE807*G3018, NFEX07*G3018, NFGX09*M3013, PDE807*G3018, PDG809*M3013, SDE007*G3018, SDE107*G3018, SDE907*G3018, SDEX07*G3018, SDG109*G3013, SDG109*M3013, SDG909*F5412, SDG909*M3013, SDGX09*F3000, SDGX09*M3013, SFEA07*G3018, SFEX07*G3018, SFGL09*M3013, SFGX09*M3013 and UDE807*F1702
	514330	Terminal Block Shield	Model PDG809*F3060
	510237	Terminal Block Shield	All other models
3	510190P	Terminal Block Assembly	Includes 3 of item 7; All models except JDEBGF301EW01, JDEBGF301EN01, SDLSXRGS541NQ23, SDLSXRGS541NW23, BDG809*F1102, BDG909*F1102, HDG009*F1102, HDG009*G3008, HDG109*F1102, HDG109*G3013, HDG509*F1102, HDG709*F1102, HDG809*F1102, HDG909*F1102, HDGB09*J1102, HDGF09*J1102, HDGR09*F1102, HDGT09*F1102, HDGX09*F1102, HDGY09*F1102, HDGZ09*F1102, HFG509*F1102, HFG709*F1102, SDG109*G3013, SDG909*F5412 and UDG809*F1102
	N/A	Terminal Block	Models HDG009*G3008, HDG109*G3013 and SDG109*G3013
4	61199	Screw	
5	503688	Screw	
6	28447	Nut	
7	28448	Screw	
8	28449	Washer	

* Add Letter To Designate Color. G - Gray L - Almond Q - Bisque W - White N - Stainless Steel

N/A = Part no longer available

Terminal Block - 3 Phase Electric Models



DRY9B_506055

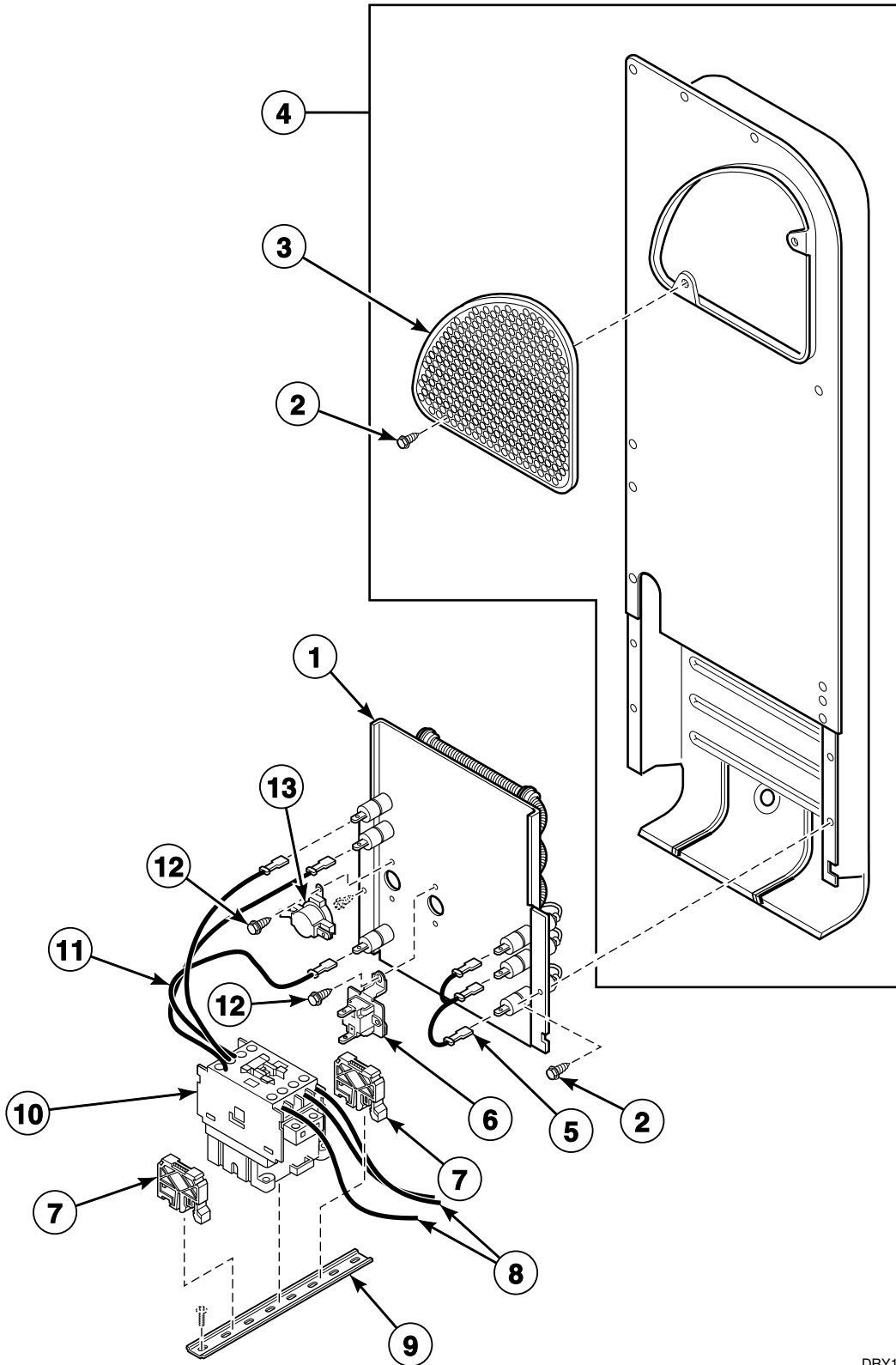
Terminal Block - 3 Phase Electric Models

REF	PART NO.	DESCRIPTION	COMMENTS
1	501285	Screw	
2	505768	Terminal Block Shield	
3	505875	Terminal Block Support Bracket	
4	505876	Terminal Block Assembly	
5	503661	Screw	

* Add Letter To Designate Color. G - Gray L - Almond Q - Bisque W - White N - Stainless Steel

Heater Duct Assembly - 3 Phase

Models KU3MNFCS401NN01, BFEL07*G4018, BFEX07*G4018, FDE807*G4018, GFEG17NG4018, GFEX17NG4018, GFEY17NG4018, HDE007*G4008, HDE007*G4010, HDE107*G4018, HDE907*G4018, HFE167*G4018, HFEL47*G4018, HFEL67*G4018, KFEG17NG4018, KFEX17NG4018, KFEY17NG4018, NDE007*G4018, NDE807*G4018, NFEL47*G4018, NFEL67*G4018, NFEX07*G4018, PDE807*G4018, SDE107*G4018, SDE907*G4018, SDEX07*G4018, SFEL07*G4018, SFEL67*G4018, SFEX07*G4018, SFEX67*G4018 and SFEY07*G4018



DRY1807P_506055

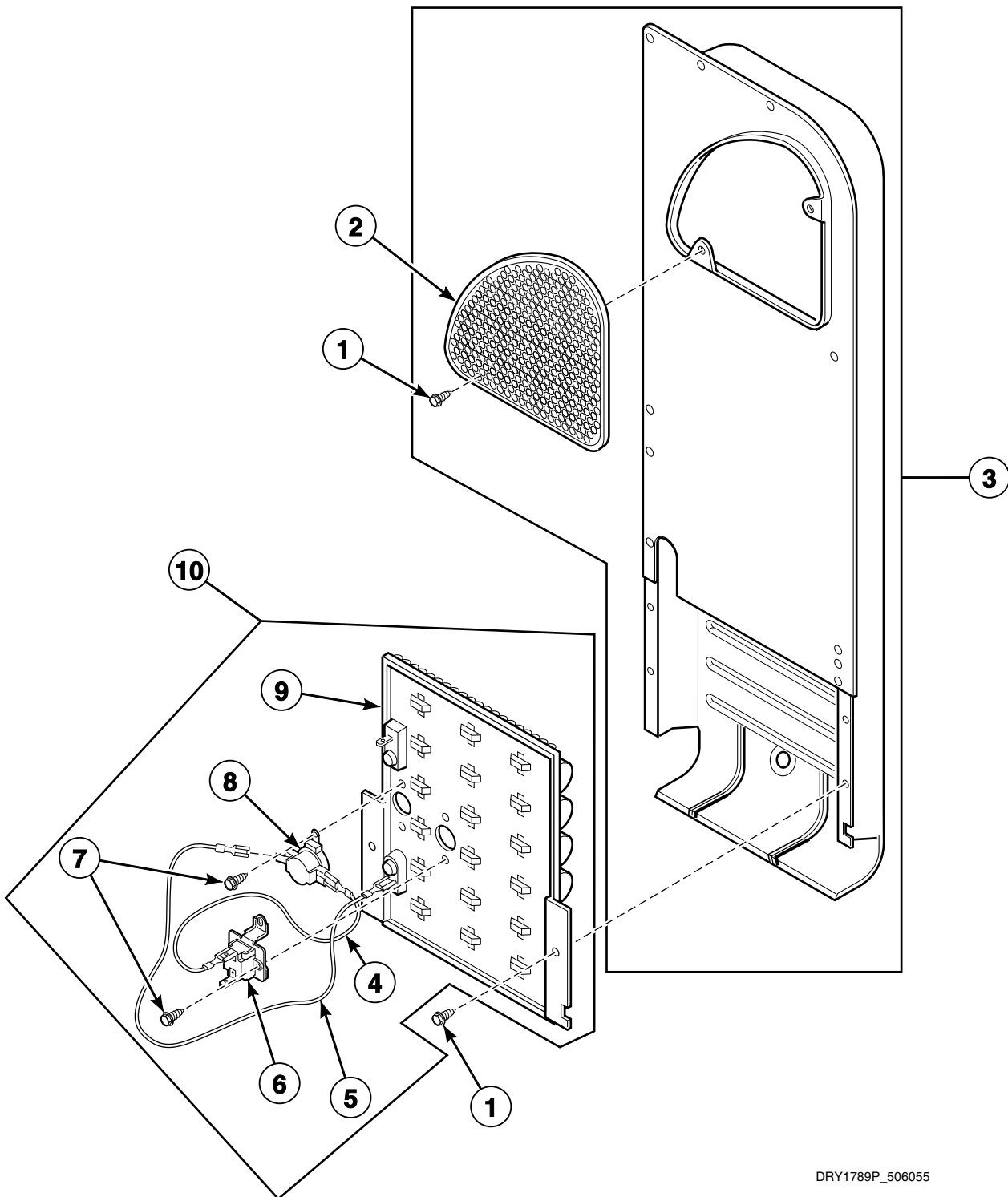
Heater Duct Assembly - 3 Phase

REF	PART NO.	DESCRIPTION	COMMENTS
	756P3	Conversion Kit	400 Volt, 4 wire WYE to 240 Volt, 3 wire Delta
1	511014P	Heater	400 Volt/3 Phase
2	503688	Screw	
3	500820	Outlet Cover	
4	510025P	Heater Duct and Screw Assembly	Includes items 2 and 3
5	511270	Jumper Wire Assembly	3 Phase
6	511412	Thermal Fuse Assembly	
7	70121001	End Stop	
8	514918	Relay Harness	Model PDE807*G4018
	514920	Dual Contactor Harness	Model PDE807*G4018
	511112P	Block to Relay Harness	All other models; Terminal block to contactor
9	M412693	Din Rail	
10	F330177P	Contactor	
11	511114P	Relay to Heater Harness	Contactor to heater
12	23222	Screw	
13	510701	Limit Thermostat	

* Add Letter To Designate Color. G - Gray L - Almond Q - Bisque W - White N - Stainless Steel

Heater Duct and Element Assembly - 1 Phase

All Electric Models Except Those with G4008, G4010 and G4018 Suffixes and Model KU3MNFCS401NN01



DRY1789P_506055

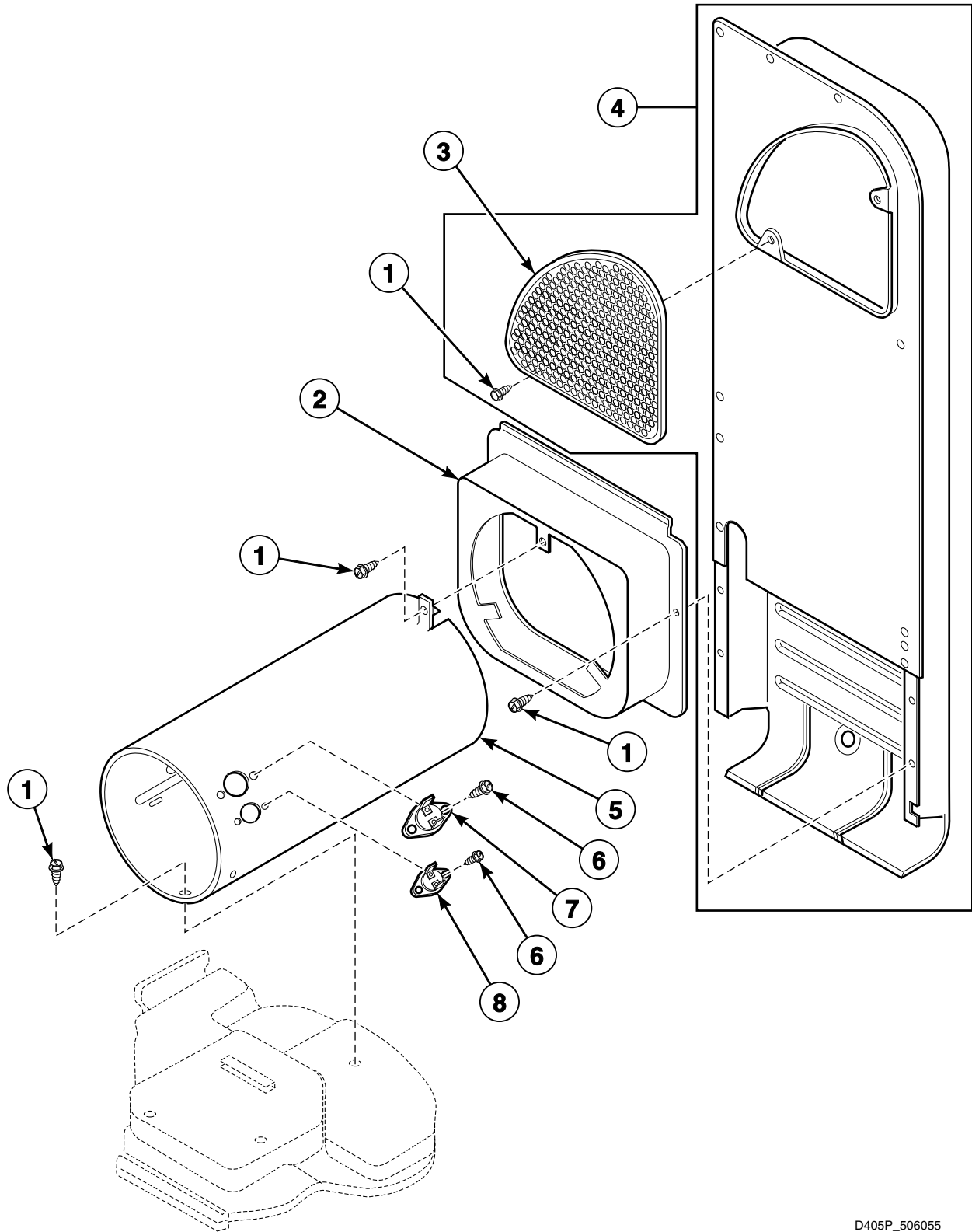
Heater Duct and Element Assembly - 1 Phase

REF	PART NO.	DESCRIPTION	COMMENTS
1	503688	Screw	
2	500820	Outlet Cover	
3	510025P	Heater Duct and Screw Assembly	Includes items 1 and 2
4	510528	Wire Assembly	Orange; Thermostat jumper; Attaches to heater assembly
5	510527	Wire Assembly	Black; Fuse jumper; Attaches to heater assembly
6	511412	Thermal Fuse Assembly	
7	23222	Screw	
8	510701	Limit Thermostat	
9	510324P	Heater Assembly	5 kW; 240 Volt/60 Hertz; Models BDEBEFGS171CN01, BDEBEFGS171CW01, SDESXRGS171CW02, SDESXRGS541NW22, GDE807*F5418, GDE907*F5418, HDE007*F1702, HDE107*F1702, HDE507*F1702, HDE707*F1702, HDE807*F1702, HDE907*F1702, HDEB07*J1702, HDEF07*J1702, HDER07*F1702, HDET07*F1702, HDEX07*F1702, HDEY07*F1702, HDEZ07*F1702, HFE507*F1702, HFE707*F1702, HFEB07*J1702, HFEX07*F1702, HFEY07*F1702, JDE807*F5418, KFEG17NF1702, KFET17NF1702, KFEY17NF1702, NDE807*F5422, NDE907*F5422, SDE107*F5412, SDE107*F5417, SDE907*F5412, SFEX07*F3300 and UDE807*F1702
	510327P	Heater Assembly	4 kW; 240 Volt/50 Hertz; Models BDEBLFGS431AW01, BDEMNRGS431AW01, BFEX07*F4350, JDE807*F4350, JDE907*F4350, SDE007*F4350, SDE107*F4350, SDE407*F4350, SDE807*F4350, SDE907*F4350, SDEA07*J4350, SDEF07*J4350, SDEX07*F4350 and SFEX07*F4350
	510330P	Heater Assembly	4.25 kW; 208 Volt/60 Hertz; Models SDESXRGS151CW02, HDE107*F1502, HDE507*F1502, HDE707*F1502, HDE907*F1502, HDEB07*J1502, HDEF07*J1502, HDER07*F1502, HDET07*F1502, HDEX07*F1502, HDEY07*F1502, HDEY07*F99N2, HDEZ07*F1502 and HFEY07*F1502
	510329P	Heater Assembly	5.35 kW; 240 Volt/60 Hertz; Models HDEBXFGS131DW01, HDEBXFGS541DW01, HDEBXRGS171FW28, SDEBXFGS131DW01 and SDEBXFGS541DW01
	510326P	Heater Assembly	4.8 kW; 240 Volt/50 Hertz; All other models
10	965P3	Heater Kit	4.25 kW; 208 Volt/60 Hertz; Includes items 4-9; Models HDE107*F1502, HDE507*F1502, HDE707*F1502, HDE907*F1502, HDEB07*J1502, HDEF07*J1502, HDER07*F1502, HDET07*F1502, HDEX07*F1502, HDEY07*F1502, HDEY07*F99N2, HDEZ07*F1502 and HFEY07*F1502
	61930	Heater Kit Assembly	4 kW; 240 Volt/50 Hertz; Includes items 4-9; Models BDEBLFGS431AW01, BDEMNRGS431AW01, BFEX07*F4350, JDE807*F4350, JDE907*F4350, SDE007*F4350, SDE107*F4350, SDE407*F4350, SDE807*F4350, SDE907*F4350, SDEA07*J4350, SDEF07*J4350, SDEX07*F4350 and SFEX07*F4350
	61927	Heater Kit Assembly	5 kW; 240 Volt/60 Hertz; Includes items 4-9; Models BDEBEFGS171CN01, BDEBEFGS171CW01, NDEBXRGS301NW22, SDEBXRGS301NW22, SDESXRGS151CW02, SDESXRGS171CW02, SDESXRGS541NW22, GDE807*F5418, HDE007*F1702, HDE107*F1702, HDE507*F1702, HDE707*F1702, HDE807*F1702, HDE907*F1702, HDEB07*J1702, HDEF07*J1702, HDER07*F1702, HDET07*F1702, HDEX07*F1702, HDEY07*F1702, HDEZ07*F1702, HFE507*F1702, HFE707*F1702, HFEB07*J1702, HFEX07*F1702, HFEY07*F1702, JDE807*F5418, KFEG17NF1702, KFET17NF1702, KFEY17NF1702, NDE807*F5422, NDE907*F5422, SDE107*F5412, SDE107*F5417, SDE907*F5412, SFEX07*F3300 and UDE807*F1702
	964P3	Heater Kit	5.35 kW; 240 Volt/60 Hertz; Models HDEBXFGS131DW01, HDEBXFGS541DW01, HDEBXRGS171FW28, SDEBXFGS131DW01 and SDEBXFGS541DW01
	61929	Heater Kit Assembly	4.8 kW; 240 Volt/50 Hertz; Includes items 4-9; All other models

* Add Letter To Designate Color. G - Gray L - Almond Q - Bisque W - White N - Stainless Steel

Heater Duct Assembly

Gas Models



D405P_506055

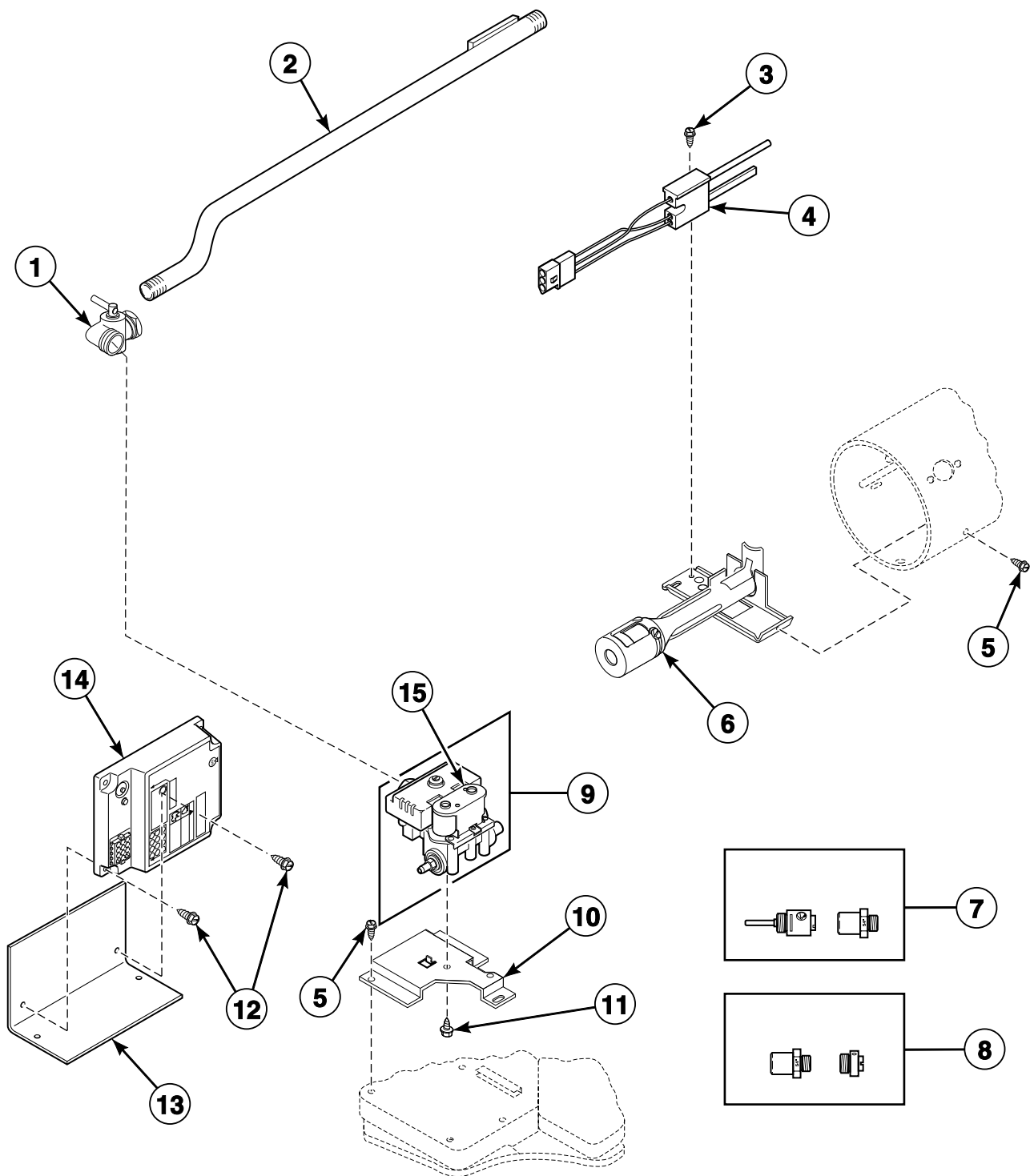
Heater Duct Assembly

REF	PART NO.	DESCRIPTION	COMMENTS
1	503688	Screw	
2	510101	Heat Duct Shroud	
3	500820	Outlet Cover	
4	510025P	Heater Duct and Screw Assembly	Includes items 1 and 3
5	510132	Combustion Duct	Models BDG909*F1102, BDGBEFGS111CN01, BDGBEFGS111CW01, HDG909*F1102, HDGB09*J1102, HDGF09*J1102, HDGR09*F1102, HDGT09*F1102, HDGX09*F1102, HDGY09*F1102, HFGX09*F1102, HFGY09*F1102, KFGG19NF1102, KFGT19NF1102 and KFGY19NF1102 starting serial no. 0803010126; Models HDGBXFGS121DW01, HDGBXFGS541DW01, SDGBXFGS121DW01, SDGBXFGS541DW01, SDG009*F3058, SDG109*F3058 and SDG409*F3058
	510131	Combustion Duct	Models BDGBXRG301AW01, BDGMNRGS301AW01, BDG809*F1102, HDG909*F1102, HDGB09*J1102, HDGF09*J1102, HDGR09*F1102, HDGT09*F1102, HDGX09*F1102, HDGY09*F1102, HFGX09*F1102, HFGY09*F1102, KFGG19NF1102, KFGT19NF1102 and KFGY19NF1102 through serial no. 0803010125; Models BDGBLFGS301AW01, BDGBLFGW541NW01, JDGBEFGW301EW01, JDGBGFGW301EW01, JDGBGFSW301EN01, SDLSXRG541NQ23, SDLSXRG541NW23, BDG809*F1102, BFG09*M3013, BFGX09*F3060, BFGX09*M3013, GFGG19NM3020, GFGX19NM3020, GFGY19NM3020, HDG009*F1102, HDG009*F3000, HDG009*G3008, HDG009*M3008, HDG109*F1102, HDG109*F3000, HDG109*G3013, HDG109*M3013, HDG509*F1102, HDG709*F1102, HDG809*F1102, HDGX09*F3000, HDGX09*M3013, HDGZ09*F1102, HFG509*F1102, HFG709*F1102, HFGX09*M3013, JDG809*F3060, JDG809*M3013, JDG809*M3020, JDG909*F3060, JDG909*M3013, JDG909*M3020, KFGG19NM3020, KFGX19NM3020, KFGY19NM3020, NDG809*F3022, NDG809*F5422, NDG909*F3022, NDG909*F5422, NFG09*M3013, NFGX09*M3013, PDG809*F3060, PDG809*M3013, SDG009*F3000, SDG009*F3060, SDG109*F3000, SDG109*F3060, SDG109*F5412, SDG109*G3013, SDG109*M3013, SDG409*F3000, SDG809*F3060, SDG909*F3060, SDG909*F5412, SDG909*M3013, SDGF09*J3060, SDGX09*F3000, SDGX09*F3060, SDGX09*M3013, SFGL09*M3013, SFGX09*M3013, UDG009*F3000, UDG009*F3025 and UDG809*F1102
6	51782	Screw	
7	510702	Limit Thermostat	Black
8	510703	Thermostat	Models HDGBXFGS121DW01, HDGBXFGS541DW01, SDGBXFGS121DW01, SDGBXFGS541DW01, SDG009*F3058, SDG109*F3058 and SDG409*F3058; Models BDG909*F1102, BDGBEFGS111CN01, BDGBEFGS111CW01, HDG909*F1102, HDGB09*J1102, HDGF09*J1102, HDGR09*F1102, HDGT09*F1102, HDGX09*F1102, HDGY09*F1102, HFGX09*F1102, HFGY09*F1102, KFGG19NF1102, KFGT19NF1102 and KFGY19NF1102 starting serial no. 0803010126

* Add Letter To Designate Color. G - Gray L - Almond Q - Bisque W - White N - Stainless Steel

Gas Valve, Igniter, Ignition Control and Gas Conversion Kits

Models HDG009*G3008, HDG109*G3013, SDG009*F3058, SDG109*F3058, SDG109*G3013 and SDG409*F3058



DRY2061P_506055

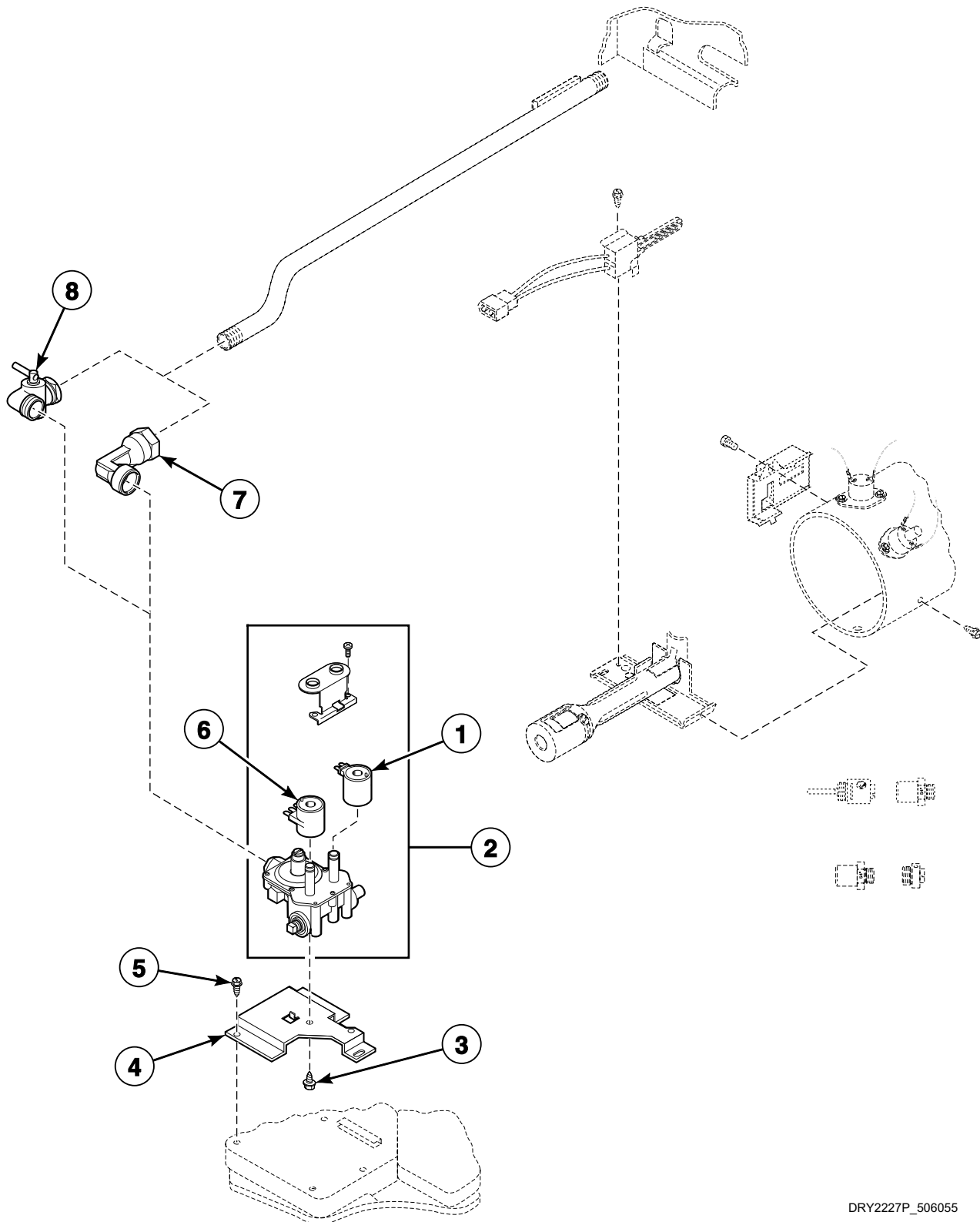
Gas Valve, Igniter, Ignition Control and Gas Conversion Kits

REF	PART NO.	DESCRIPTION	COMMENTS
1	510205	Elbow Shut-Off Valve	
2	510204	Lead-In Pipe Assembly	
3	51782	Screw	
4	502995P	Igniter and Sensor Assembly	
5	503688	Screw	
6	510149P	Burner Assembly	
7	600P3	L.P. Conversion Kit	Natural Gas (N.G.) to Liquid Petroleum Gas (L.P.); 8.5 kW; Models HDG009*G3008, HDG109*G3013 and SDG109*G3013
	458P3	L.P. Conversion Kit	N.G. to L.P.; 25,000 Btu; Models SDG009*F3058, SDG109*F3058 and SDG409*F3058
8	459P3	N.G. Conversion Kit	L.P. to N.G.; 25,000 Btu; Models SDG009*F3058, SDG109*F3058 and SDG409*F3058
9	502478P	Gas Valve Assembly	Includes item 15
10	510128	Gas Valve Mounting Bracket	
11	56124	Screw	
12	502535	Screw	
13	502425	Ignition Control Bracket	
14	502994P	Igniter Control	
15	502423A	Main and Redundant Coil	240 Volt/50 Hertz

* Add Letter To Designate Color. G - Gray L - Almond Q - Bisque W - White

Gas Valve

All Gas Models Except Those with F3058, G3008 and G3013 Suffixes



DRY2227P_506055

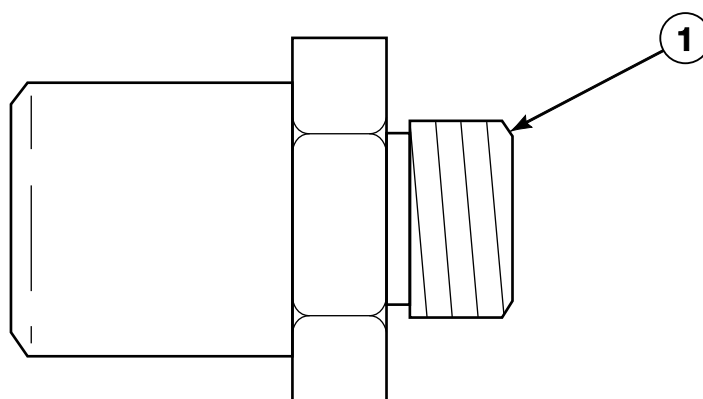
Gas Valve

REF	PART NO.	DESCRIPTION	COMMENTS
1	58804B	Secondary Coil	60 Hertz; Models BDGBEFGS111CN01, BDGBEFGS111CW01, BDGBLFGW541NW01, SDLSXRG541NQ23, SDLSXRG541NW23, BDG809*F1102, BDG909*F1102, HDG009*F1102, HDG109*F1102, HDG509*F1102, HDG709*F1102, HDG809*F1102, HDG909*F1102, HDGB09*J1102, HDGF09*J1102, HDGR09*F1102, HDGT09*F1102, HDGX09*F1102, HDGY09*F1102, HDGZ09*F1102, HFG509*F1102, HFG709*F1102, HFGX09*F1102, HFGY09*F1102, KFGG19NF1102, KFGT19NF1102, KFGY19NF1102, NDG809*F5422, NDG909*F5422, SDG109*F5412, SDG909*F5412 and UDG809*F1102
	59063B	Secondary Coil	50 Hertz; All other models
2	60353P	Gas Valve Assembly	60 Hertz; 25,000 Btu; Models BDGBEFGS111CN01, BDGBEFGS111CW01, BDGBLFGW541NW01, SDLSXRG541NQ23, SDLSXRG541NW23, BDG809*F1102, BDG909*F1102, HDG009*F1102, HDG109*F1102, HDG509*F1102, HDG709*F1102, HDG809*F1102, HDG909*F1102, HDGB09*J1102, HDGF09*J1102, HDGR09*F1102, HDGT09*F1102, HDGX09*F1102, HDGY09*F1102, HDGZ09*F1102, HFG509*F1102, HFG709*F1102, HFGX09*F1102, HFGY09*F1102, KFGG19NF1102, KFGT19NF1102, KFGY19NF1102 and UDG809*F1102
	510506P	Gas Valve Assembly	60 Hertz; 22,500 Btu; Models HDGBXFGS121DW01, HDGBXFGS541DW01, SDGBXFGS121DW01, SDGBXFGS541DW01, NDG809*F5422, NDG909*F5422, SDG109*F5412 and SDG909*F5412
	60443P	Valve Assembly	50 Hertz; 25,000 Btu; All other models
3	56124	Screw	
4	510128	Gas Valve Mounting Bracket	
5	503688	Screw	
6	58804A	Booster and Holding Coil	60 Hertz; Models BDGBEFGS111CN01, BDGBEFGS111CW01, BDGBLFGW541NW01, HDGBXFGS121DW01, HDGBXFGS541DW01, SDGBXFGS121DW01, SDGBXFGS541DW01, SDLSXRG541NQ23, SDLSXRG541NW23, BDG809*F1102, BDG909*F1102, HDG009*F1102, HDG109*F1102, HDG509*F1102, HDG709*F1102, HDG809*F1102, HDG909*F1102, HDGB09*J1102, HDGF09*J1102, HDGR09*F1102, HDGT09*F1102, HDGX09*F1102, HDGY09*F1102, HDGZ09*F1102, HFG509*F1102, HFG709*F1102, HFGX09*F1102, HFGY09*F1102, KFGG19NF1102, KFGT19NF1102, KFGY19NF1102, NDG809*F5422, NDG909*F5422, SDG109*F5412, SDG909*F5412 and UDG809*F1102
	59063A	Booster and Holding Coil	50 Hertz; All other models
7	513072	Elbow	Models SDLSXRG541NQ23 and SDLSXRG541NW23
8	510205	Elbow Shut-Off Valve	All models except SDLSXRG541NQ23 and SDLSXRG541NW23

* Add Letter To Designate Color. G - Gray L - Almond Q - Bisque W - White N - Stainless Steel

Burner Orifice Spuds - For Higher Elevations (Drawing 1 of 2)

Liquid Petroleum Gas Models



DRY2266P_506055

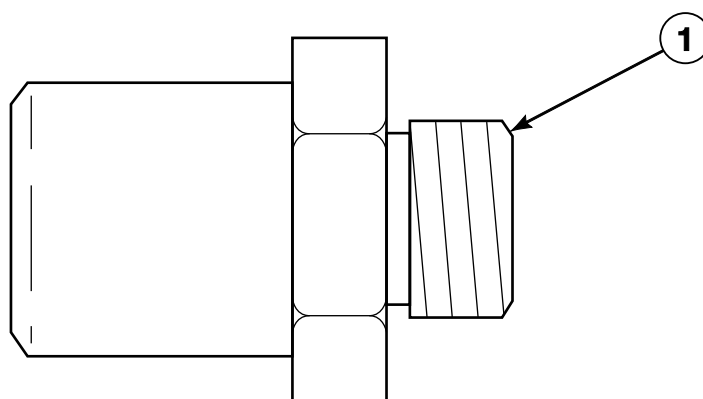
Burner Orifice Spuds - For Higher Elevations (Drawing 1 of 2)

REF	PART NO.	DESCRIPTION	COMMENTS
1	58755	L.P. Orifice	Models HDGBXFGS121DW01, HDGBXFGS541DW01, SDGBXFGS121DW01, SDGBXFGS541DW01, NDG809*F5422, NDG909*F5422, SDG109*F5412 and SDG909*F5412; 22,500 Btu; 3000-7999 feet (915-2439 m); All other models; 25,000 Btu; 7500-10,999 feet (2290-3354 m)
	503786	L.P. Orifice	Models HDGBXFGS121DW01, HDGBXFGS541DW01, SDGBXFGS121DW01, SDGBXFGS541DW01, NDG809*F5422, NDG909*F5422, SDG109*F5412 and SDG909*F5412; 22,500 Btu; 8000 feet (2440 m) and higher; All other models; 25,000 Btu; 11,000 feet (3355 m) and higher

* Add Letter To Designate Color. G - Gray L - Almond Q - Bisque W - White

Burner Orifice Spuds - For Higher Elevations (Drawing 2 of 2)

Natural Gas Models



DRY2266P_506055

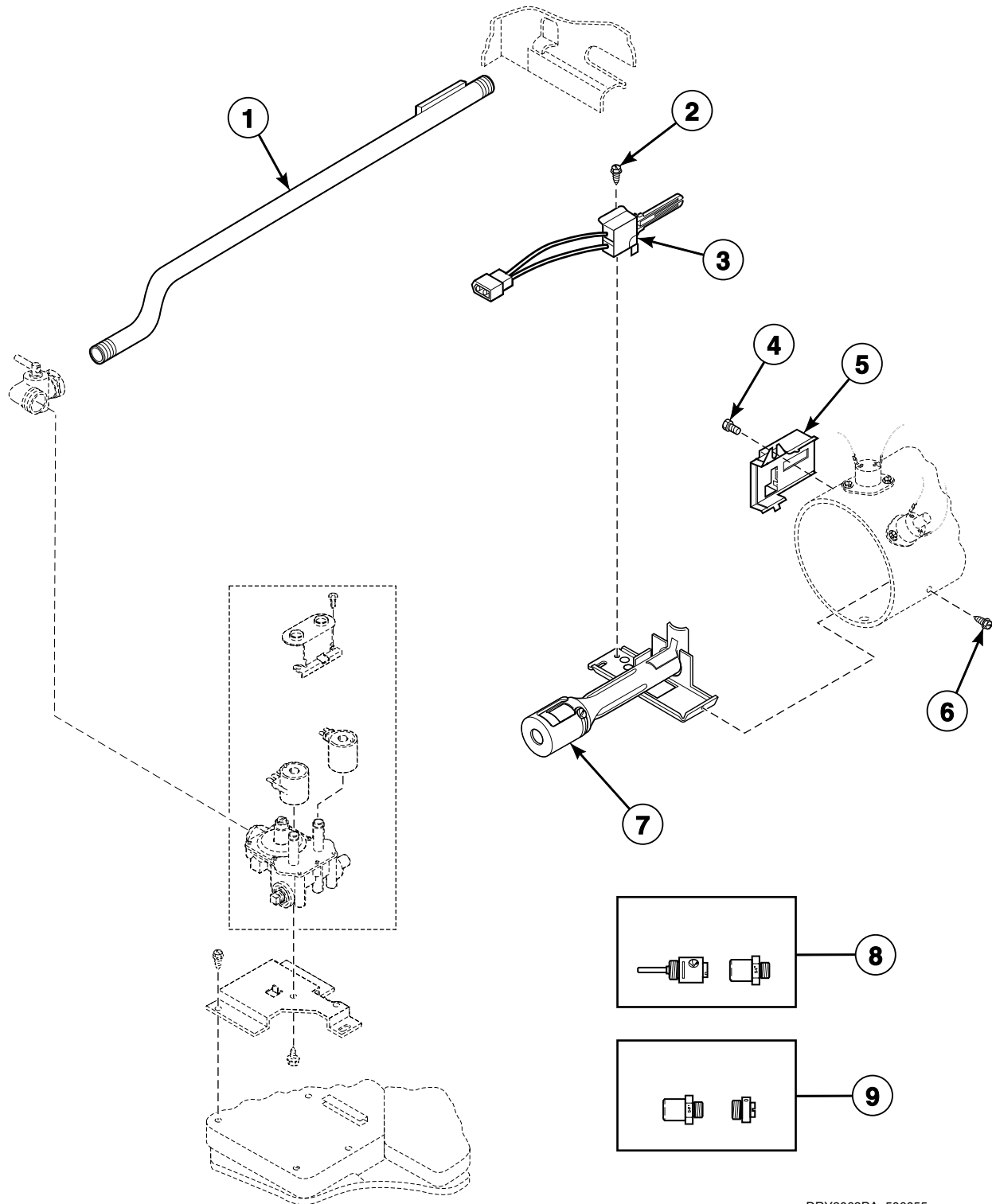
Burner Orifice Spuds - For Higher Elevations (Drawing 2 of 2)

REF	PART NO.	DESCRIPTION	COMMENTS
1	503778	N.G. Orifice	Models HDGBXFGS121DW01, HDGBXFGS541DW01, SDGBXFGS121DW01, SDGBXFGS541DW01, NDG809*F5422, NDG909*F5422, SDG109*F5412 and SDG909*F5412; 22,500 Btu; 3,000-5999 feet (915-1829 m); All other models; 25,000 Btu; 5500-6999 feet (1680-2134 m)
	58719	Screw Orifice	Models HDGBXFGS121DW01, HDGBXFGS541DW01, SDGBXFGS121DW01, SDGBXFGS541DW01, NDG809*F5422, NDG909*F5422, SDG109*F5412 and SDG909*F5412; 22,500 Btu; 6000-7999 feet (1830-2439 m); All other models; 25,000 Btu; 7000-8999 feet (2135-2744 m)
	503779	N.G. Orifice	Models HDGBXFGS121DW01, HDGBXFGS541DW01, SDGBXFGS121DW01, SDGBXFGS541DW01, NDG809*F5422, NDG909*F5422, SDG109*F5412 and SDG909*F5412; 22,500 Btu; 8000-8999 feet (2440-2739 m); All other models; 25,000 Btu; 9000-10,499 feet (2745-3199 m)
	503780	N.G. Orifice	Models HDGBXFGS121DW01, HDGBXFGS541DW01, SDGBXFGS121DW01, SDGBXFGS541DW01, NDG809*F5422, NDG909*F5422, SDG109*F5412 and SDG909*F5412; 22,500 Btu; 9000-9999 feet (2740-3049 m); All other models; 25,000 Btu; 10,500 feet (3200 m) and higher
	503781	N.G. Orifice	22,500 Btu; 10,000 feet (3050 m) and higher; Models HDGBXFGS121DW01, HDGBXFGS541DW01, SDGBXFGS121DW01, SDGBXFGS541DW01, NDG809*F5422, NDG909*F5422, SDG109*F5412 and SDG909*F5412
	503776	N.G. Orifice	25,000 Btu; 2000-2999 feet (610-914 m); All models except HDGBXFGS121DW01, HDGBXFGS541DW01, SDGBXFGS121DW01, SDGBXFGS541DW01, NDG809*F5422, NDG909*F5422, SDG109*F5412 and SDG909*F5412
	510517	N.G. Orifice	25,000 Btu; 3000-5499 feet (915-1679 m); All models except HDGBXFGS121DW01, HDGBXFGS541DW01, SDGBXFGS121DW01, SDGBXFGS541DW01, NDG809*F5422, NDG909*F5422, SDG109*F5412 and SDG909*F5412

* Add Letter To Designate Color. G - Gray L - Almond Q - Bisque W - White

Igniter and Gas Conversion Kits

All Gas Models Except Those with F3058, G3008 and G3013 Suffixes



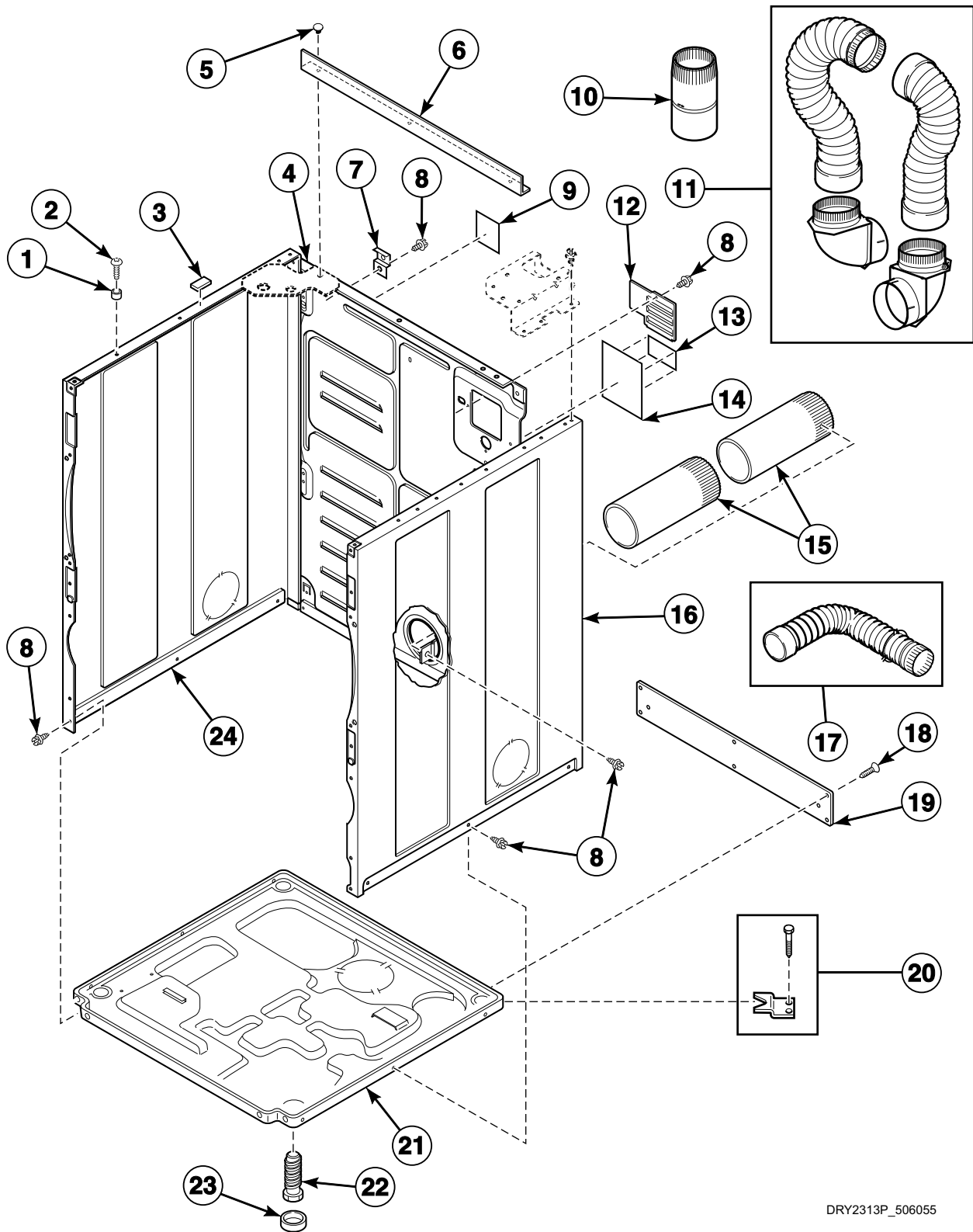
DRY2062PA_506055

Igniter and Gas Conversion Kits

REF	PART NO.	DESCRIPTION	COMMENTS
1	510204	Lead-In Pipe Assembly	
2	51782	Screw	
3	510184P	Igniter and Bracket Assembly	
4	23222	Screw	
5	510213	Sensor	
6	503688	Screw	
7	510149P	Burner Assembly	
8	600P3	L.P. Conversion Kit	Used to convert dryers from Natural Gas (N.G.) or Mixed Gas to Liquid Petroleum Gas (L.P.) for 25,000 Btu; Models JDGBEFGW301EW01, JDGBGFGW301EW01, JDGBGFSW301EN01, BFGL09*M3013, BFGX09*M3013, GFGG19NM3020, GFGX19NM3020, GFGY19NM3020, HDG009*M3008, HDG109*M3013, HDGX09*M3013, HFGX09*M3013, JDG809*M3013, JDG809*M3020, JDG909*M3013, JDG909*M3020, KFGG19NM3020, KFGX19NM3020, KFGY19NM3020, NFGL49*M3013, NFGX09*M3013, PDG809*M3013, SDG109*M3013, SDG909*M3013, SDGX09*M3013, SFGL09*M3013 and SFGX09*M3013
	458P3	L.P. Conversion Kit	Used to convert dryers from N.G. or Mixed Gas to L.P. for 25,000 Btu; All other models; Included with models SDLSXRG541NQ23 and SDLSXRG541NW23
9	459P3	N.G. Conversion Kit	Used to convert dryers from L.P. to N.G. or Mixed Gas for 25,000 Btu; All models except JDGBEFGW301EW01, JDGBGFGW301EW01, JDGBGFSW301EN01, BFGL09*M3013, BFGX09*M3013, GFGG19NM3020, GFGX19NM3020, GFGY19NM3020, HDG009*M3008, HDG109*M3013, HDGX09*M3013, HFGX09*M3013, JDG809*M3013, JDG809*M3020, JDG909*M3013, JDG909*M3020, KFGG19NM3020, KFGX19NM3020, KFGY19NM3020, NFGL49*M3013, NFGX09*M3013, PDG809*M3013, SDG109*M3013, SDG909*M3013, SDGX09*M3013, SFGL09*M3013 and SFGX09*M3013

* Add Letter To Designate Color. G - Gray L - Almond Q - Bisque W - White N - Stainless Steel

Cabinet, Exhaust Duct and Base



DRY2313P_506055

Cabinet, Exhaust Duct and Base

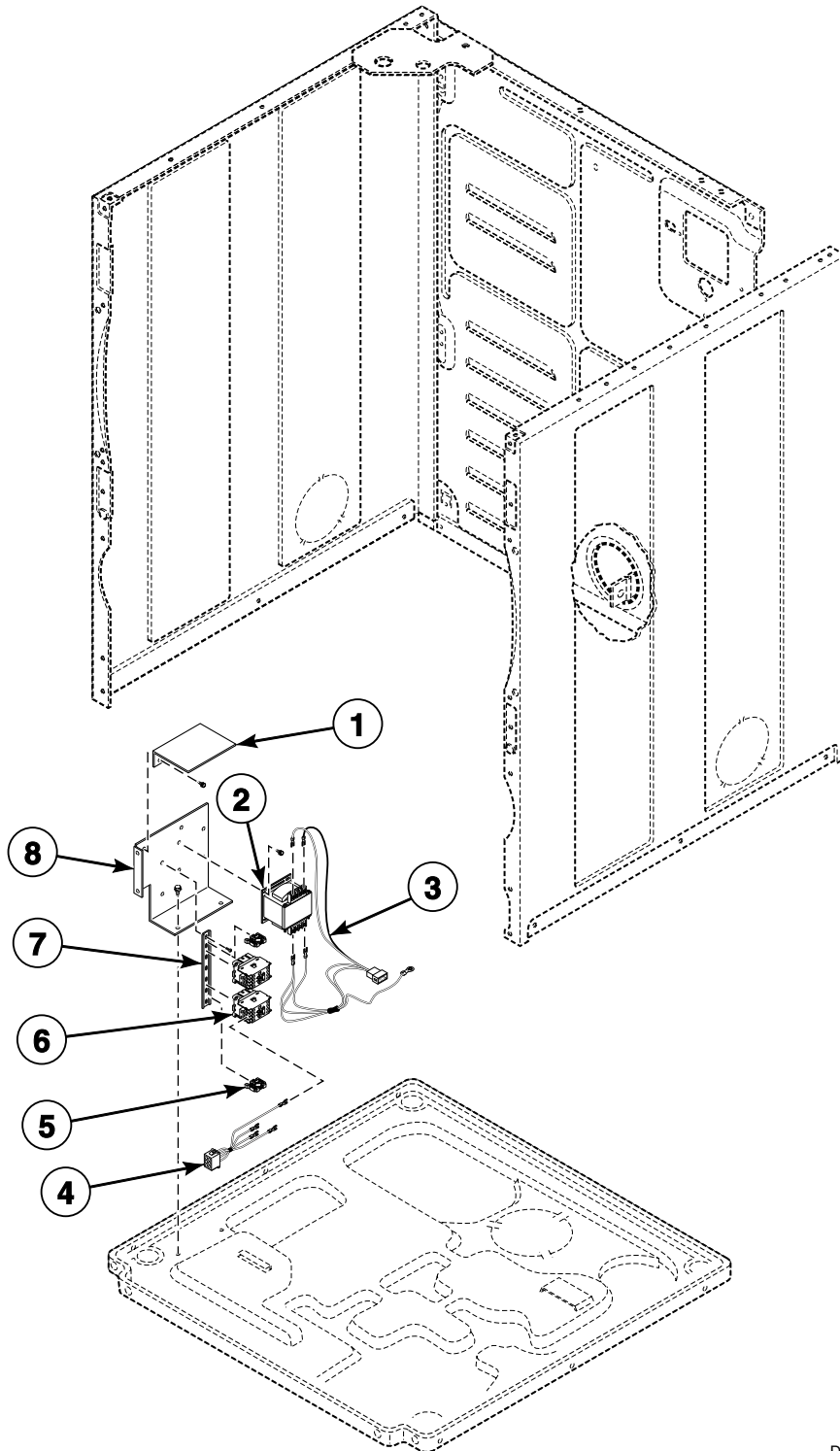
REF	PART NO.	DESCRIPTION	COMMENTS
	122P4P	Porcelain Touch-Up Paint	White
	370P4P	Porcelain Touch-Up Paint	Bisque
	215P4P	Porcelain Touch-Up Paint	Almond
1	56079	Panel Locator	
2	512921	Screw	Use with stainless steel panels
	39733	Screw	Use with painted panels
3	56128	Bumper Pad	
4	514632P	Cabinet Rear Panel	
5	514375	Rivet	Model PDG809*F3060
6	514335	Rear Shield	Model PDG809*F3060
7	510136	Top Hinge	Rear control models; Model KU3MNFCS401NN01
8	503688	Screw	
9	502791	Venting Instruction Label	
10	58786	Damper	Use when connecting to a manifold vent system
11	521P3	Flexible Venting Kit	
12	514356	Access Cover Plate	Model PDG809*F3060
	510903	Access Panel Plate	All other models
13	N/A	Label	
14	511005	Electric Clearance Label	Electric models
15	510137	Exhaust Duct	Each dryer requires 2 pieces
16	510002GP	Cabinet Side Panel	Gray; Right
	510002WP	Cabinet Side Panel	White; Right; All other models
	510002LP	Cabinet Side Panel	Almond; Right; All other models
	510002QP	Cabinet Side Panel	Bisque; Right; All other models
	512539	Cabinet Side Panel	Stainless steel; Right; All other models
17	528P3	Directional Exhaust Kit	Used to vent dryer out the sides or bottom
18	M405188	Screw	Model KU3MNFCS401NN01
19	513527	Bracket	Model KU3MNFCS401NN01
20	526P3	Hold Down Kit	For mobile home installations
21	513901	Dryer Base	
22	510135	Leveling Leg	
23	501855	Rubber Foot	
24	510001GP	Cabinet Side Panel	Gray; Left
	512538	Cabinet Side Panel	Stainless steel; Left; Models KU3MNFCS401NN01, GFEG17NG3018, GFEG17NG4018, GFEX17NG3018, GFEX17NG4018, GFEY17NG3018, GFEY17NG4018, GFEG19NM3020, GFEX19NM3020, GFGY19NM3020, KFEG17NF1702, KFEG17NG3018, KFEG17NG4018, KFET17NF1702, KFEX17NG3018, KFEX17NG4018, KFEY17NF1702, KFEY17NG3018, KFEY17NG4018, KFGG19NF1102, KFGG19NM3020, KFGT19NF1102, KFGX19NM3020, KFGY19NF1102 and KFGY19NM3020
	510001WP	Cabinet Side Panel	White; Left; All other models
	510001LP	Cabinet Side Panel	Almond; Left; All other models
	510001QP	Cabinet Side Panel	Bisque; Left; All other models
	512951	Cabinet Side Panel	Stainless steel; Left; All other models

* Add Letter To Designate Color. G - Gray L - Almond Q - Bisque W - White N - Stainless Steel

N/A = Part no longer available

Contactor and Transformer

Models BDGBLFGS301AW01, BDGBLFGW541NW01, BDGBXRG301AW01, BDGMNRGS301AW01, HDGBXFGS541DW01, JDGBEFGW301EW01, JDGBGFGW301EW01, JDGBGFSW301EN01, SDGBXFGS541DW01, SDLSXRG301NQ23, BFGL09*M3013, BFGX09*F3060, BFGX09*M3013, GFGG19NM3020, GFGX19NM3020, GFGY19NM3020, HDG009*M3008, HDGX09*F3000, HDGX09*M3013, HFGX09*M3013, JDG809*F3060, JDG809*M3013, JDG809*M3020, JDG909*F3060, JDG909*M3013, JDG909*M3020, KFGG19NM3020, KFGX19NM3020, KFGY19NM3020, NDG809*F3022, NDG809*F5422, NDG909*F3022, NDG909*F5422, NFGL49*M3013, NFGX09*M3013, PDG809*F3060, PDG809*M3013, SDG009*F3060, SDG109*F3060, SDG109*M3013, SDG809*F3060, SDG909*F3060, SDG909*F5412, SDG909*M3013, SDGF09*J3060, SDGX09*F3000, SDGX09*F3060, SDGX09*M3013, SFGGL09*M3013 and SFGX09*M3013



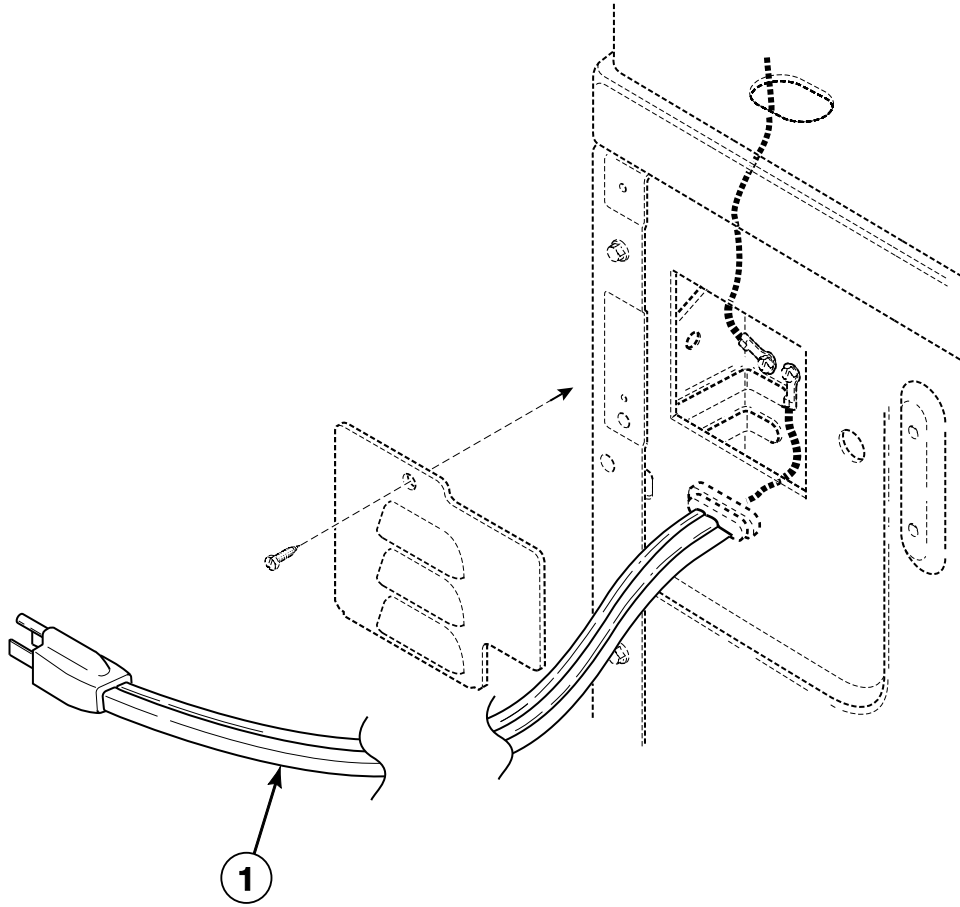
DRY2098P_506055

Contactor and Transformer

REF	PART NO.	DESCRIPTION	COMMENTS
1	801101	Card Reader Shield	Models BFGL09*M3013, BFGX09*M3013, GFGG19NM3020, GFGX19NM3020, GFGY19NM3020, HDGX09*M3013, HFGX09*M3013, JDGBEFGW301EW01, JDGBGFGW301EW01, JDGBGFSW301EN01, KFGG19NM3020, KFGX19NM3020, KFGY19NM3020, NFGL49*M3013, NFGX09*M3013, SDGX09*M3013, SFGL09*M3013 and SFGX09*M3013
2	511658P	Transformer Kit	Includes item 3; All models except HDG009*M3008, SDG009*F3060, SDG109*F3060 and SDG109*M3013
3	511303	Wire Harness Assembly	To transformer; Includes 502592 Fuse (3.15 Amp, 250 Volt); All models except HDG009*M3008, SDG009*F3060, SDG109*F3060 and SDG109*M3013
4	511327	Harness Assembly	Models BFGL09*M3013, BFGX09*M3013, GFGG19NM3020, GFGX19NM3020, GFGY19NM3020, JDGBEFGW301EW01, JDGBGFGW301EW01, JDGBGFSW301EN01, KFGG19NM3020, KFGX19NM3020, KFGY19NM3020, NFGL49*M3013, NFGX09*M3013, SFGL09*M3013 and SFGX09*M3013
5	70121001	End Stop	Models BFGL09*M3013, BFGX09*M3013, GFGG19NM3020, GFGX19NM3020, GFGY19NM3020, HDGX09*M3013, HFGX09*M3013, JDGBEFGW301EW01, JDGBGFGW301EW01, JDGBGFSW301EN01, KFGG19NM3020, KFGX19NM3020, KFGY19NM3020, NFGX09*M3013, SDGX09*M3013, SFGL09*M3013 and SFGX09*M3013
6	70323701P	Contactor	Models BFGL09*M3013, BFGX09*M3013, GFGG19NM3020, GFGX19NM3020, GFGY19NM3020, HDGX09*M3013, HFGX09*M3013, JDGBEFGW301EW01, JDGBGFGW301EW01, JDGBGFSW301EN01, KFGG19NM3020, KFGX19NM3020, KFGY19NM3020, NFGL49*M3013, NFGX09*M3013, SDGX09*M3013, SFGL09*M3013 and SFGX09*M3013
7	M412693	Din Rail	Models BFGL09*M3013, BFGX09*M3013, GFGG19NM3020, GFGX19NM3020, GFGY19NM3020, HDGX09*M3013, HFGX09*M3013, JDGBEFGW301EW01, JDGBGFGW301EW01, JDGBGFSW301EN01, KFGG19NM3020, KFGX19NM3020, KFGY19NM3020, NFGX09*M3013, SDGX09*M3013, SFGL09*M3013 and SFGX09*M3013
8	511859	Contactor Bracket	All models except HDG009*M3008, SDG009*F3060, SDG109*F3060 and SDG109*M3013

* Add Letter To Designate Color. G - Gray L - Almond Q - Bisque W - White N - Stainless Steel

Power Cord



DRY1856PA_506055

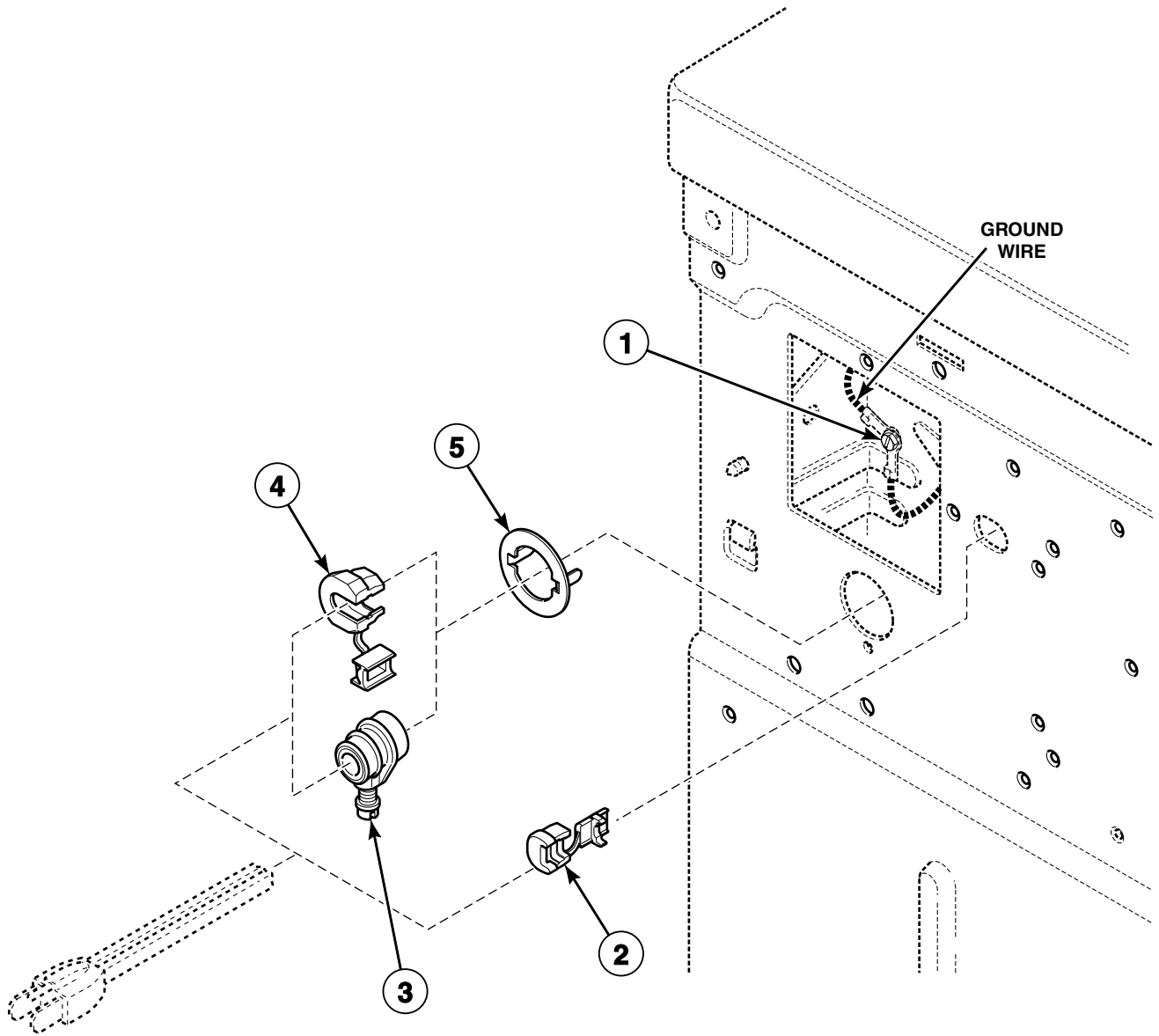
Power Cord

REF	PART NO.	DESCRIPTION	COMMENTS
1	510505P	Lead-In Cord Assembly	Models BDEBEFGS171CN01, BDEBEFGS171CW01, SDESXRGs151CW02, SDESXRGs171CW02, HDE007*F1702, HDE107*F1502, HDE107*F1702, HDE507*F1502, HDE507*F1702, HDE707*F1502, HDE707*F1702, HDE807*F1702, HDE907*F1502, HDE907*F1702, HDEB07*J1502, HDEB07*J1702, HDEF07*J1502, HDEF07*J1702, HDER07*F1502, HDER07*F1702, HDET07*F1502, HDET07*F1702, HDEX07*F1502, HDEX07*F1702, HDEY07*F1502, HDEY07*F1702, HDEY07*F99N2, HDEZ07*F1502, HDEZ07*F1702, HFE507*F1702, HFE707*F1702, HFEB07*J1702, HFEX07*F1702, HFEY07*F1502, HFEY07*F1702, KFEG17NF1702, KFET17NF1702, KFEY17NF1702 and UDE807*F1702
	61605P	Lead-In Cord Kit	Includes item 2; Models BDEBLFGS431AW01, BDEMNRGS431AW01, BFEX07*F4350, JDE807*F4350, JDE907*F4350, SDE007*F4350, SDE107*F4350, SDE407*F4350, SDE807*F4350, SDE907*F4350, SDEA07*J4350, SDEF07*J4350, SDEX07*F4350 and SFEX07*F4350
	512019	Lead-In Cord	Models BDGBLFGS301AW01, BDGBXRGs301AW01, BDGMNRGS301AW01, BFGX09*F3060, JDG809*F3060, JDG909*F3060, PDG809*F3060, SDG009*F3060, SDG109*F3060, SDG809*F3060, SDG909*F3060, SDGF09*J3060 and SDGX09*F3060
N/A		Lead-In Cord	Models SDG009*F3058, SDG109*F3058 and SDG409*F3058
	503597	Lead-In Cord Assembly	Models FDE807*G3018, GDE807*F5418, GDE807*G3018, GDE907*F5418, GDE907*G3018, GFEG17NG3018, GFEX17NG3018, GFEY17NG3018, HDE007*G3003, HDE007*G3008, HDE007*G3010, HDE107*G3003, HDE107*G3018, HDE907*G3018, HDEX07*G3018, JDE807*F5418, JDE807*G3018, JDE907*G3018, KFEG17NG3018, KFEX17NG3018, KFEY17NG3018, NDE007*G3018, NDE807*G3018, NDG809*F3022, NDG809*F5422, NDG909*F3022, NDG909*F5422, NFEX07*G3018, PDE807*G3018, SDE007*G3018, SDE107*G3018, SDE907*G3018, SDEX07*G3018, SFEA07*G3018 and SFEX07*G3018
	56222	Lead-In Cord	Models BDG809*F1102, BDG909*F1102, BDGBEFGS111CN01, BDGBEFGS111CW01, HDG009*F1102, HDG109*F1102, HDG509*F1102, HDG709*F1102, HDG809*F1102, HDG909*F1102, HDGB09*J1102, HDGF09*J1102, HDGR09*F1102, HDGT09*F1102, HDGX09*F1102, HDGY09*F1102, HDGZ09*F1102, HFG509*F1102, HFG709*F1102, HFGX09*F1102, HFGY09*F1102, KFGG19NF1102, KFGT19NF1102, KFGY19NF1102 and UDG809*F1102
N/A		Power Cord Assembly	Models HDG009*G3008, HDG009*M3008, HDG109*G3013, HDG109*M3013, HDGX09*M3013, HFGX09*M3013, SDG109*G3013, SDG109*M3013, SDGX09*M3013 and UDG009*F3025
	506081	Power Cord Assembly	Models BFGL09*M3013, BFGX09*M3013, JDG809*M3013, JDG909*M3013, JDGBEFGW301EW01, JDGBGFGW301EW01, JDGBGFSW301EN01, NFGL49*M3013, NFGX09*M3013, PDG809*M3013, SDG909*M3013, SFGGL09*M3013 and SFGX09*M3013
	505938	Lead-In Cord Assembly	Model UDE007*F3025
	59373	Lead-In Cord	Models BDGBLFGW541NW01, NDEBXRGs301NW22, SDEBXRGs301NW22, SDLSXRGs541NQ23, SDLSXRGs541NW23, GFGG19NM3020, GFGX19NM3020, GFGY19NM3020, JDG809*M3020, JDG909*M3020, KFGG19NM3020, KFGX19NM3020, KFGY19NM3020, SDG109*F5412 and SDG909*F5412
	514222	Lead-In Cord Assembly	Models HDGBXFGS121DW01 and SDGBXFGS121DW01
	514289	Lead-In Cord Assembly	Models HDGBXFGS541DW01 and SDGBXFGS541DW01

* Add Letter To Designate Color. G - Gray L - Almond Q - Bisque W - White N - Stainless Steel

N/A = Part no longer available

Strain Relief



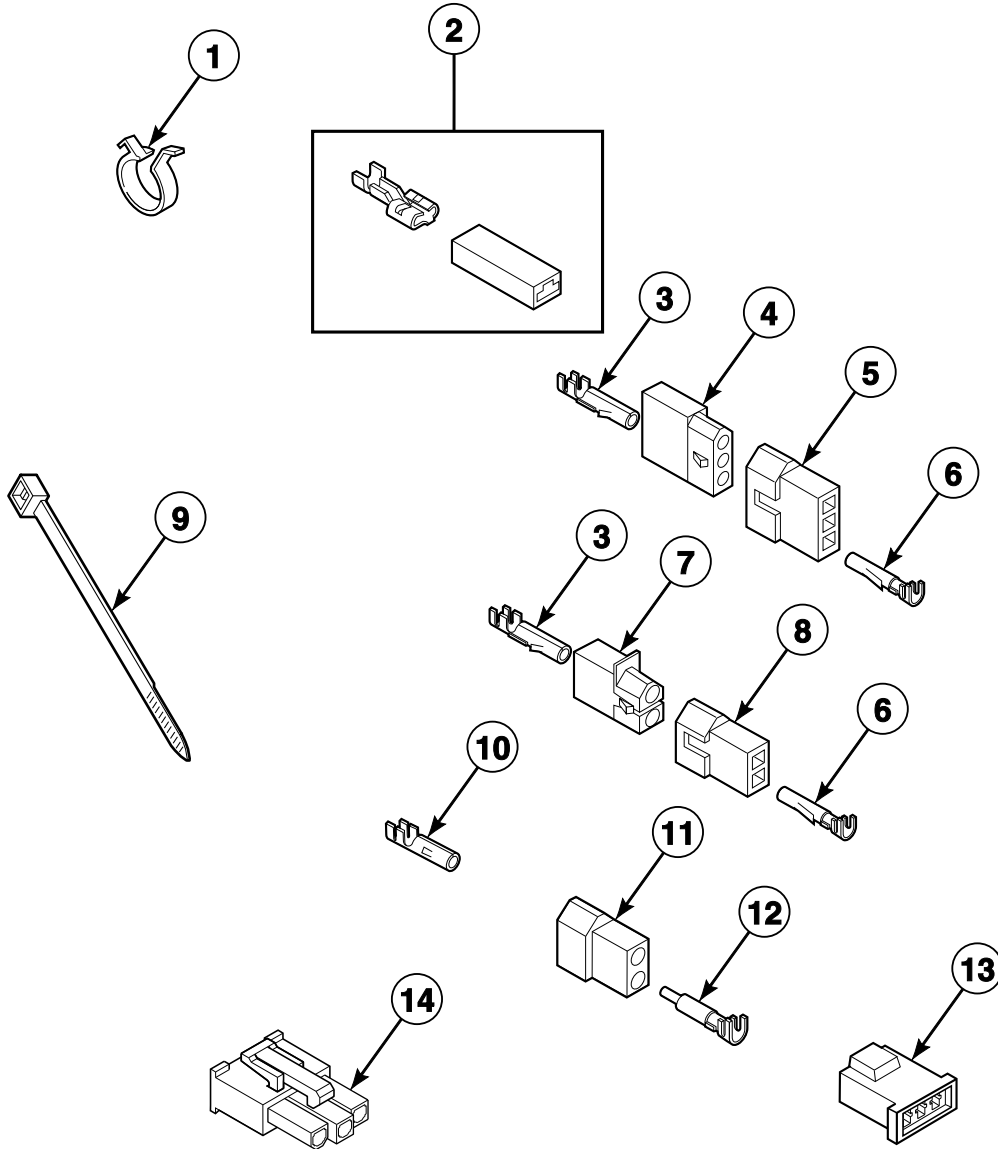
SWD1230P_506055

Strain Relief

REF	PART NO.	DESCRIPTION	COMMENTS
1	513071	Screw	Models BDGBEFGS111CN01, GFEX17NG3018, GFEX17NG4018, GFGX19NM3020, JDEBGFWSW301EN01, JDGBGFSW301EN01, KFET17NF1702, KFEX17NG3018, KFEX17NG4018, KFGT19NF1102 and KFGX19NM3020; Models BFEL07*G4018, BFEX07*G4018, BFGL09*M3013, BFGX09*M3013, SFEL07*G4018, SFEX07*G4018, SFGL09*M3013 and SFGX09*M3013 stainless steel only
	20530	Screw	All other models
2	38384	Strain Relief	Models BDGBEFGS111CN01, BDGBEFGS111CW01, HDGBXFGS121DW01, HDGBXFGS541DW01, SDGBXFGS121DW01, SDGBXFGS541DW01, BDG809*F1102, BDG909*F1102, HDG009*F1102, HDG109*F1102, HDG509*F1102, HDG709*F1102, HDG809*F1102, HDG909*F1102, HDGB09*J1102, HDGF09*J1102, HDGR09*F1102, HDGT09*F1102, HDGX09*F1102, HDGY09*F1102, HDGZ09*F1102, HFGX09*F1102, HFGY09*F1102, KFGG19NF1102, KFGT19NF1102, KFGY19NF1102 and UDG809*F1102
3	502500	Strain Relief	Models BFGL09*M3013, BFGX09*M3013, GFGG19NM3020, GFGX19NM3020, GFGY19NM3020, HDG009*G3008, HDG009*M3008, HDG109*G3013, HDG109*M3013, HFGX09*M3013, JDG809*M3013, JDG809*M3020, JDG909*M3013, JDG909*M3020, JDGBEFGW301EW01, JDGBGFGW301EW01, JDGBGFSW301EN01, KFGG19NM3020, KFGX19NM3020, KFGY19NM3020, NFG149*M3013, NFGX09*M3013, PDG809*M3013, SDG109*G3013, SDG109*M3013, SDG909*M3013, SDGX09*M3013, SFGL09*M3013, SFGX09*M3013 and UDG009*F3025
4	52113	Strain Relief	Models BDEBLFGS431AW01, BDEMNRGS431AW01, BDGBLFGW541NW01, SDLSXRG541NQ23, SDLSXRG541NW23, BFEX07*F4350, FDE807*G3018, GDE807*F5418, GDE807*G3018, GDE907*F5418, GDE907*G3018, GFEG17NG3018, GFEX17NG3018, GFEX17NG3018, HDE007*G3003, HDE007*G3008, HDE007*G3010, HDE107*G3003, HDE107*G3018, HDE907*G3018, JDE807*F4350, JDE807*F5418, HDE907*G3018, JDE907*F4350, JDE907*G3018, KFEY17NG3018, KFEX17NG3018, KFEY17NG3018, NDE007*G3018, NDE807*G3018, NDG809*F3022, NDG809*F5422, NDG909*F3022, NDG909*F5422, NFEX07*G3018, PDE807*G3018, SDE007*F4350, SDE007*G3018, SDE107*F4350, SDE107*G3018, SDE407*F4350, SDE807*F4350, SDE907*F4350, SDE907*G3018, SDEA07*J4350, SDEF07*J4350, SDEX07*F4350, SDG109*F5412, SDG909*F5412, SFEA07*G3018, SFEX07*F4350 and SFEX07*G3018
	60298	Strain Relief	Models BDGBLFGS301AW01, BDGBXRG5301AW01, BDGMNRGS301AW01, BFGX09*F3060, JDG809*F3060, JDG909*F3060, PDG809*F3060, SDG009*F3058, SDG009*F3060, SDG109*F3058, SDG109*F3060, SDG409*F3058, SDG809*F3060, SDG909*F3060, SDGF09*J3060 and SDGX09*F3060
5	502496	Strain Relief Adapter	Use with 59373 Lead-In Cord, 502786 Power Cord Assembly, 503597 Lead-In Cord Assembly, 506081 Power Cord Assembly and 512019 Lead-In Cord

* Add Letter To Designate Color. G - Gray L - Almond Q - Bisque W - White N - Stainless Steel

Terminal Block and Terminals

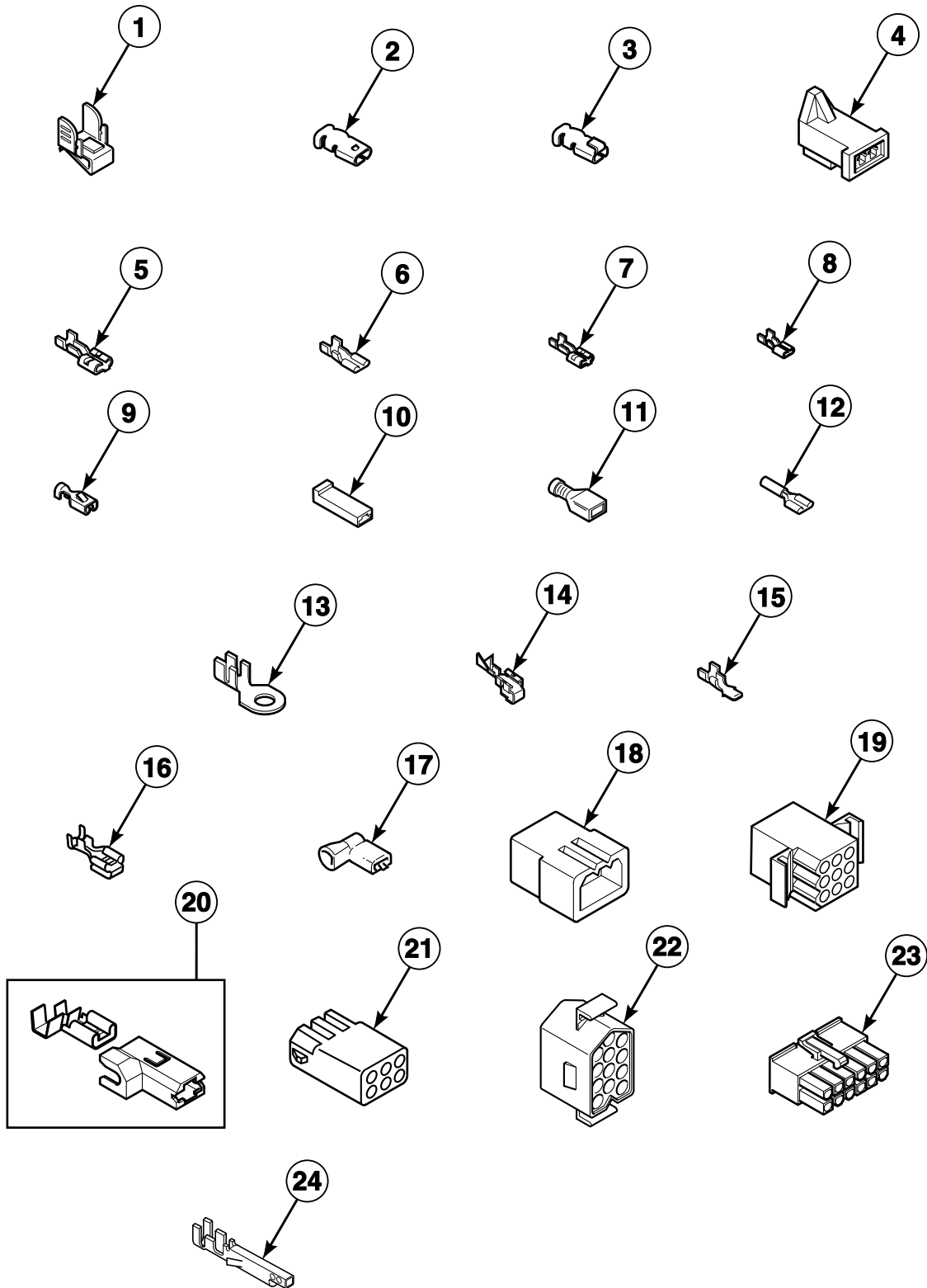


DRY2064P_506055

Terminal Block and Terminals

REF	PART NO.	DESCRIPTION	COMMENTS
1	504034	Wire Clip	11/16 inch
	687500	Wire Clip	1 inch
2	00360	Insulated Female Spade Terminal	(1) 12 gauge wire or (2) 18 gauge wires
3	00117	Female Pin Terminal	
4	23039	3 Circuit Receptacle	
	56265	2 Circuit Receptacle	
5	23040	Plug	3 circuit
6	00116	Male Pin Terminal	
7	56451	2 Circuit Receptacle	
8	56448	2 Circuit Plug	
9	55881	Harness Strap	
10	00130	Female Pin Terminal	1/8 inch; 16-18 gauge wire
	00128	Female Pin Terminal	1/8 inch; 10-14 gauge wire
11	56266	2 Circuit Plug	
12	00127	Male Pin Terminal	.18 insulation diameter
	00129	Male Pin Terminal	.12 insulation diameter
13	58800	3 Circuit Connector	
14	36170	3 Circuit Receptacle	

Terminals



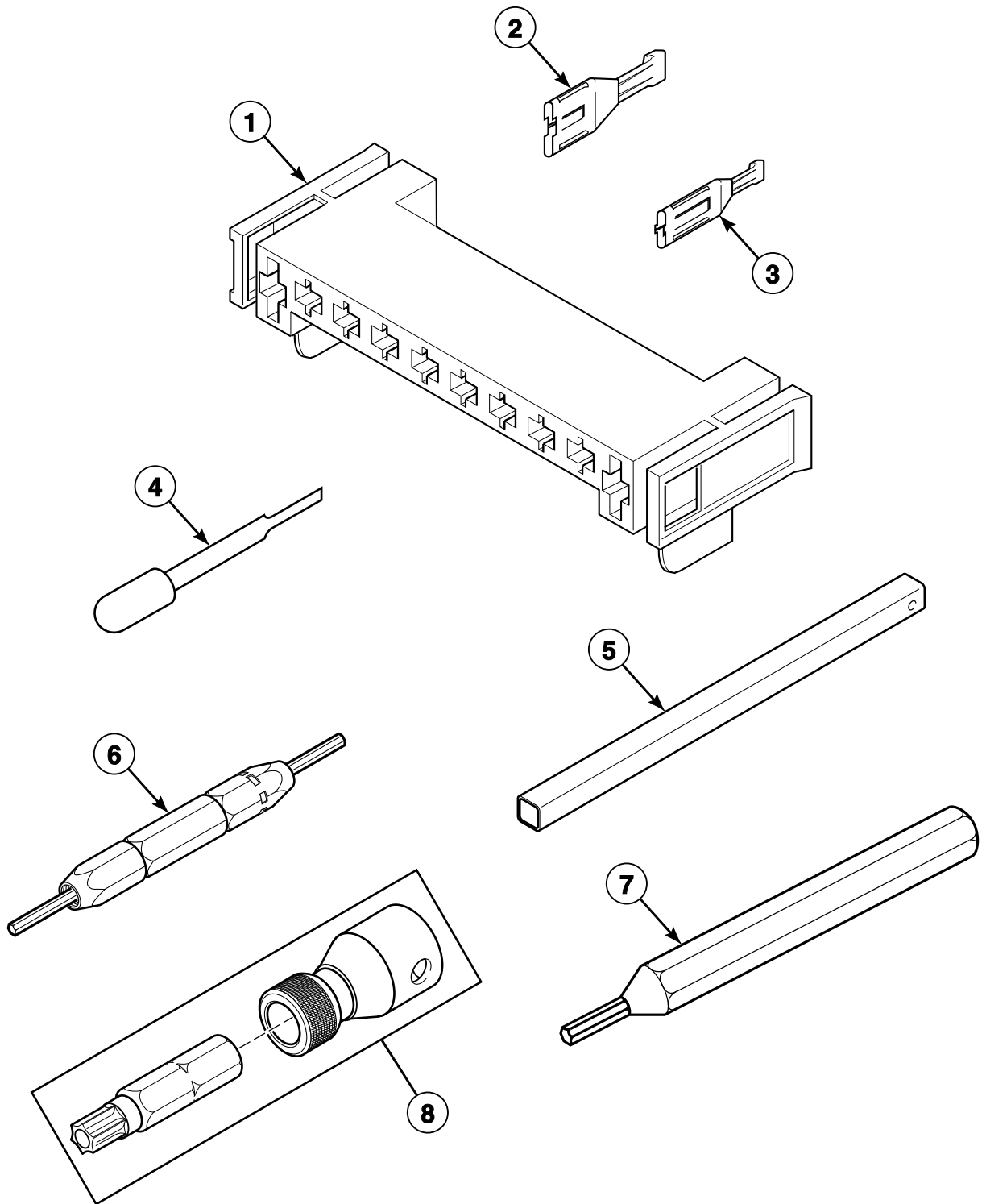
DRY2065P_506055

Terminals

REF	PART NO.	DESCRIPTION	COMMENTS
1	00161	Grounding Clip	
2	00189	Female Spade Terminal	
3	00361	Female Piggyback Terminal	
4	58799	2 Circuit Connector	
5	00223	Female Spade Terminal	1/4 inch; (1) 18 gauge wire
	00121	Female Spade Terminal	1/4 inch; (2) 18 gauge wires or (1) 12 gauge wire
	00245	Spade Terminal	1/4 inch; (1) 22 gauge wire
6	00124	Female Spade Terminal	3/16 inch; (1) 18 gauge wire; .020 tab
	00156	Female Spade Terminal	3/16 inch; Thermostat wire; .032 tab
	N/A	Female Spade Terminal	3/16 inch; (2) 18 gauge wires; .020 tab
7	00222	Female Spade Terminal	1/4 inch
8	00347	Terminal	
9	00115	Female Spade Terminal	1/4 inch; (1) 18 gauge wire
	N/A	Female Spade Terminal	1/4 inch; (2) 18 gauge wires or (1) 12 gauge wire
10	90789	Receptacle Housing	
11	00359	Insulated Female Spade Terminal	1/4 inch
	00165	Insulated Female Terminal	3/16 inch
12	N/A	Pre-Insulated Spade Terminal	1/4 inch; 18 gauge wire
	N/A	Pre-Insulated Spade Terminal	1/4 inch; 12 gauge wire
13	00110	Ring Terminal	(1) 18 gauge wire
	00111	Ring Terminal	(2) 18 gauge wires or (1) 12 gauge wire
	00319	Ring Terminal	(2) 18 gauge wires or (1) 14 gauge wire
14	00114	Female Spade Terminal	1/4 inch; Double connector
15	00139	Male Tab Terminal	1/4 inch; (2) 18 gauge wires or (1) 12 gauge wire
16	00344	Female Tab Terminal	
17	N/A	Flag Insulated Terminal	
18	26302	1 Circuit Plug	
	23033	9 Circuit Plug	
	23041	6 Circuit Plug	
19	26163	9 Circuit Receptacle	
	56855	12 Circuit Receptacle	
20	00221	Insulated Female Flag Terminal	1/4 inch
21	26708	6 Circuit Receptacle	
	26301	1 Circuit Receptacle	
22	54522	Plug	
23	501333	12 Circuit Receptacle	
	34596	10 Circuit Receptacle	
24	00252	Terminal	

N/A = Part no longer available

Motor Connection Block and Tools



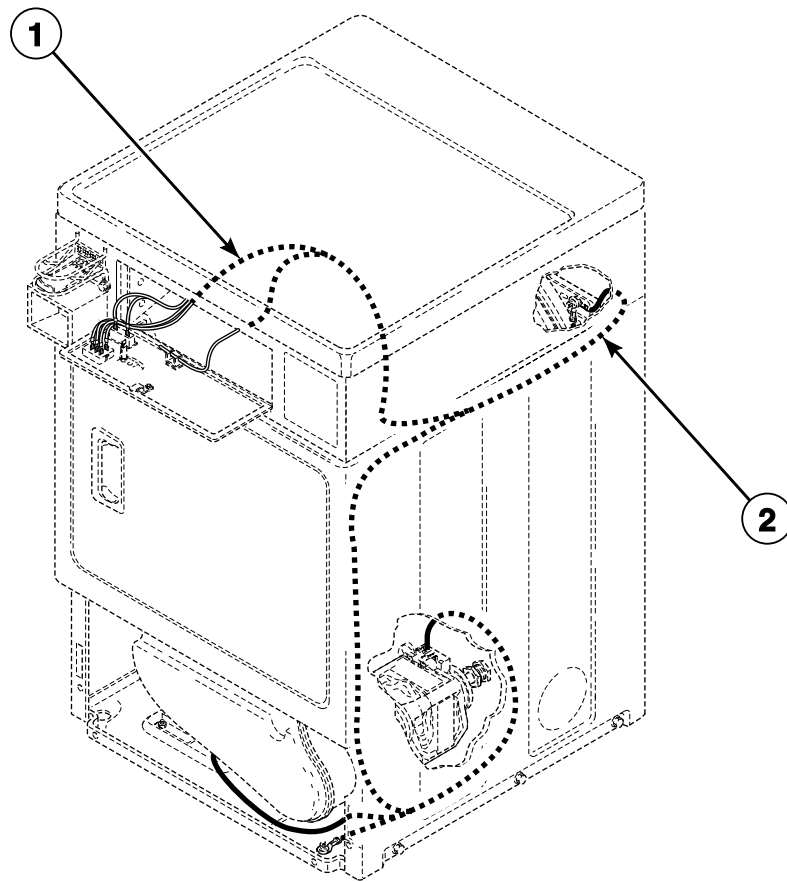
DRY2066P_506055

Motor Connection Block and Tools

REF	PART NO.	DESCRIPTION	COMMENTS
1	500338	10 Position Housing	
2	00255	Female Terminal	1/4 inch; For (1) 12 gauge wire
	00256	Female Terminal	1/4 inch; For (1) or (2) 18 gauge wires
3	00188	Female Terminal	For 1 or 2 wire application
4	283P4	Terminal Extractor Tool	For use on Molex connectors
5	310P4	Ratchet Extension Tool	1/4 inch; For coin drop installation
6	190P4	Extractor Tool	For use on electric dryer terminals
7	128P4	Extractor Tool	For use on gas dryer terminals
8	281P4	Torx Bit	T15 Tamper Resistant Bit
	282P4	Torx Bit	Use with 62853 Screw on access panel; T25 Tamper Resistant Bit
	292P4	Torx Bit	T20 Standard Bit
	93501	Torx Drive Tool	T10 Standard Bit

Wire Harnesses and Wires - Front Control Models Through Serial No. 1401 (Drawing 1 of 2)

Models JDGBFGW301EW01, JDGBGFSW301EN01, BFGL09*M3013, NFGL49*M3013 and SFGL09*M3013



DRY1915P_506055

Wire Harnesses and Wires - Front Control Models Through Serial No. 1401 (Drawing 1 of 2)

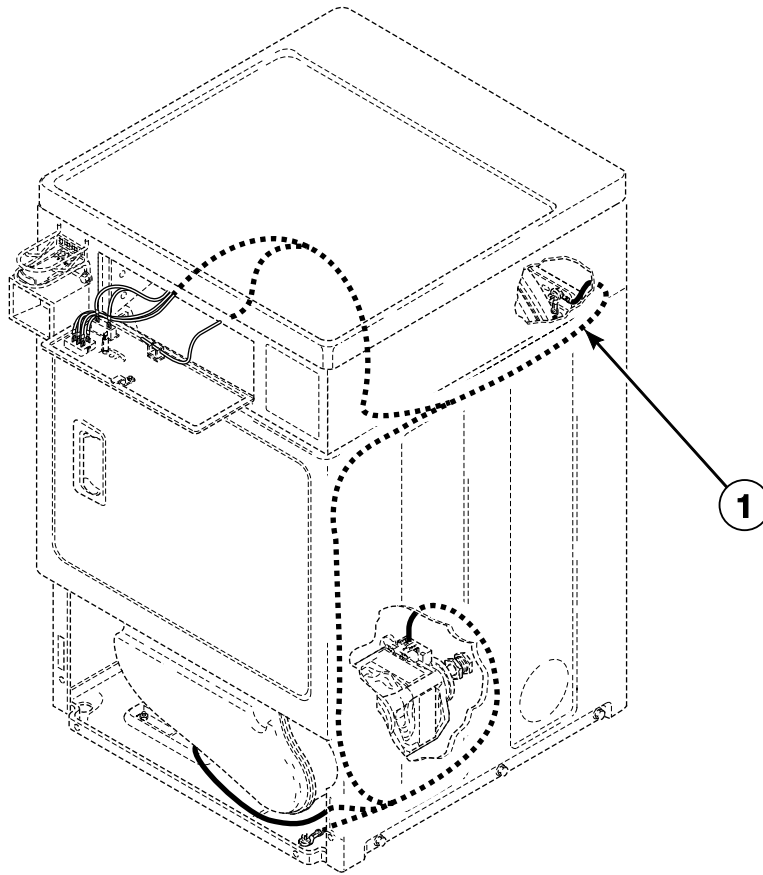
REF	PART NO.	DESCRIPTION	COMMENTS
	45380	12 Gauge Wire	Orange; Order wire by foot; Order terminals and connectors as required
	45001	18 Gauge Wire	Black; Order wire by foot; Order terminals and connectors as required
1	511823P	Security Cabinet Harness	Models BFGL09*M3013, JDGBGFGW301EW01, JDGBGFSW301EN01, NFGL49*M3013 and SFGL09*M3013
2	512955P	Front Control Harness	Models BFGL09*M3013, JDGBGFGW301EW01, JDGBGFSW301EN01 and SFGL09*M3013
	511825	Wire Harness Assembly	Model NFGL49*M3013

* Add Letter To Designate Color. L - Almond Q - Bisque W - White N - Stainless Steel

NOTE: Individual wires are not available separately. Order complete harness, or order wire by the foot. When applying terminals to wires, it is recommended that the terminals be soldered to the wires.

Wire Harnesses and Wires - Front Control Models Through Serial No. 1401 (Drawing 2 of 2)

Models JDGBEFGW301EW01, KU3MNFCS401NN01, BFGX09*M3013, GFEG17NG3018, GFEG17NG4018, GFEX17NG3018, GFEX17NG4018, GFEY17NG3018, GFEY17NG4018, GFGG19NM3020, GFGX19NM3020, GFGY19NM3020, HFE167*G4018, HFE507*F1702, HFE707*F1702, HFEB07*J1702, HFG509*F1102, HFG709*F1102, HFGX09*M3013, KFEG17NG3018, KFEG17NG4018, KFEX17NG3018, KFEX17NG4018, KFEY17NF1702, KFEY17NG3018, KFEY17NG4018, KFGG19NF1102, KFGG19NM3020, KFGT19NF1102, KFGX19NM3020, KFGY19NF1102, KFGY19NM3020, NFGX09*M3013, SFEA07*G3018 and SFGX09*M3013



DRY1915PA_506055

Wire Harnesses and Wires - Front Control Models Through Serial No. 1401 (Drawing 2 of 2)

REF	PART NO.	DESCRIPTION	COMMENTS
	45380	12 Gauge Wire	Orange; Order wire by foot; Order terminals and connectors as required
	45001	18 Gauge Wire	Black; Order wire by foot; Order terminals and connectors as required
1	N/A	Front Control Wire Harness	Models HFE167*G4018, HFE507*F1702, HFE707*F1702, HFG509*F1102 and HFG709*F1102
	511316	Wire Harness Assembly	Model SFEA07*G3018
	510488P	Wire Harness Assembly	Model HFEB07*J1702
	511755	Wire Harness Assembly	Models BFGX09*M3013, HFGX09*M3013, JDGBEFGW301EW01, NFGX09*M3013 and SFGX09*M3013
	512728P	Wire Harness Assembly	Model KFEY17NF1702
	512730	Electronic Wire Harness Assembly	Models GFEG17NG3018, GFEX17NG3018, GFEY17NG3018, KFEG17NG3018, KFEX17NG3018 and KFEY17NG3018
	512731P	Wire Harness Assembly	Models GFGG19NM3020, GFGX19NM3020, GFGY19NM3020, KFGG19NM3020, KFGX19NM3020 and KFGY19NM3020
	512729	Wire Harness Assembly	Models KFGG19NF1102, KFGT19NF1102 and KFGY19NF1102
	512400	Front Control Harness Assembly	3 Phase; Models GFEG17NG4018, GFEX17NG4018, GFEY17NG4018, KFEG17NG4018, KFEX17NG4018 and KFEY17NG4018
	513529	Wire Harness Assembly	Model KU3MNFCS401NN01

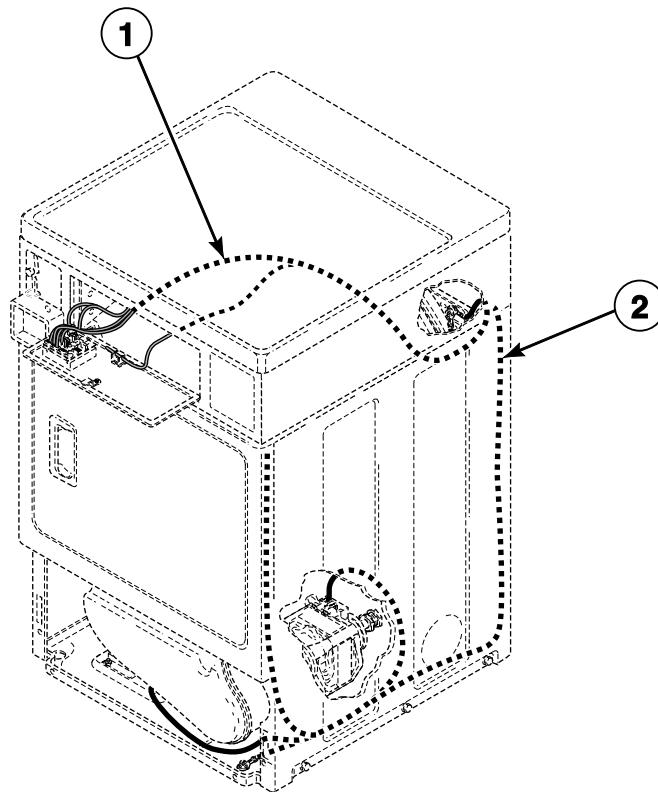
* Add Letter To Designate Color. L - Almond Q - Bisque W - White N - Stainless Steel

N/A = Part no longer available

NOTE: Individual wires are not available separately. Order complete harness, or order wire by the foot. When applying terminals to wires, it is recommended that the terminals be soldered to the wires.

Wire Harnesses and Wires - Front Control Models Starting Serial No. 1401 (Drawing 1 of 2)

Models JDGBGFGW301EW01, JDGBGFSW301EN01, BFGL09*M3013, NFGL49*M3013 and SFGL09*M3013



DRY2286PA_506055

Wire Harnesses and Wires - Front Control Models Starting Serial No. 1401 (Drawing 1 of 2)

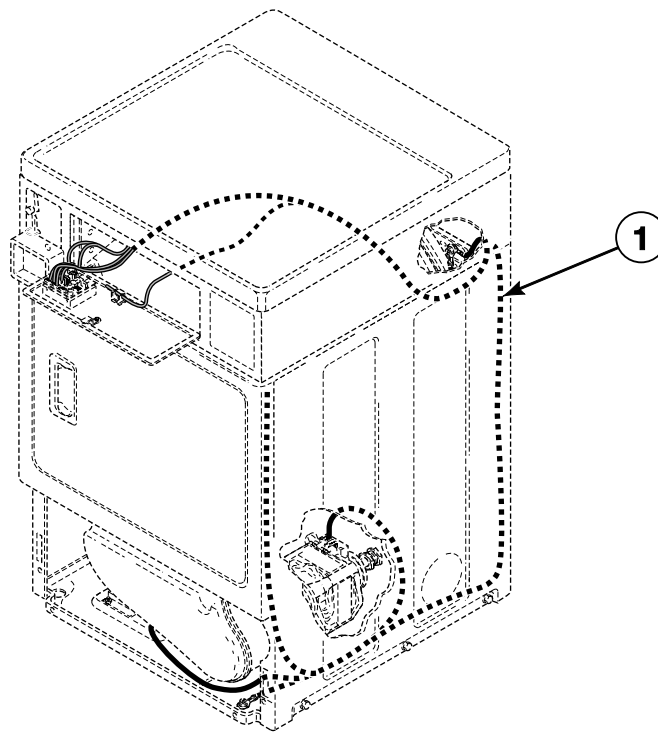
REF	PART NO.	DESCRIPTION	COMMENTS
	45380	12 Gauge Wire	Orange; Order wire by foot; Order terminals and connectors as required
	45001	18 Gauge Wire	Black; Order wire by foot; Order terminals and connectors as required
1	511823P	Security Cabinet Harness	Models BFGL09*M3013, JDGBGFGW301EW01, JDGBGFSW301EN01, NFGL49*M3013 and SFGL09*M3013
2	513813	Security Cabinet Harness	Models BFGL09*M3013, JDGBGFGW301EW01, JDGBGFSW301EN01 and SFGL09*M3013
	511825	Wire Harness Assembly	Model NFGL49*M3013

* Add Letter To Designate Color. L - Almond Q - Bisque W - White N - Stainless Steel

NOTE: Individual wires are not available separately. Order complete harness, or order wire by the foot. When applying terminals to wires, it is recommended that the terminals be soldered to the wires.

Wire Harnesses and Wires - Front Control Models Starting Serial No. 1401 (Drawing 2 of 2)

Models JDGBEFGW301EW01, KU3MNFCS401NN01, BFGX09*M3013, GFEG17NG3018, GFEG17NG4018, GFEX17NG3018, GFEX17NG4018, GFEY17NG3018, GFEY17NG4018, GFGG19NM3020, GFGX19NM3020, GFGY19NM3020, HFE167*G4018, HFE507*F1702, HFE707*F1702, HFEB07*J1702, HFG509*F1102, HFG709*F1102, HFGX09*M3013, KFEG17NG3018, KFEG17NG4018, KFEX17NG3018, KFEX17NG4018, KFEY17NF1702, KFEY17NG3018, KFEY17NG4018, KFGG19NF1102, KFGG19NM3020, KFGT19NF1102, KFGX19NM3020, KFGY19NF1102, KFGY19NM3020, NFGX09*M3013, SFEA07*G3018 and SFGX09*M3013



DRY2286P_506055

Wire Harnesses and Wires - Front Control Models Starting Serial No. 1401 (Drawing 2 of 2)

REF	PART NO.	DESCRIPTION	COMMENTS
	45380	12 Gauge Wire	Orange; Order wire by foot; Order terminals and connectors as required
	45001	18 Gauge Wire	Black; Order wire by foot; Order terminals and connectors as required
1	N/A	Front Control Wire Harness	Models HFE167*G4018, HFE507*F1702, HFE707*F1702, HFG509*F1102 and HFG709*F1102
	511316	Wire Harness Assembly	Model SFEA07*G3018
	510488P	Wire Harness Assembly	Model HFEB07*J1702
	511755	Wire Harness Assembly	Models BFGX09*M3013, HFGX09*M3013, JDGBEFGW301EW01, NFGX09*M3013 and SFGX09*M3013
	513812	Wire Harness Assembly	Model KFEY17NF1702
	513814	Electronic Wire Harness Assembly	Models GFEG17NG3018, GFEX17NG3018, GFEY17NG3018, KFEG17NG3018, KFEX17NG3018 and KFEY17NG3018
	512731P	Wire Harness Assembly	Models GFGG19NM3020, GFGX19NM3020, GFGY19NM3020, KFGG19NM3020, KFGX19NM3020 and KFGY19NM3020
	513809	Wire Harness Assembly	Models KFGG19NF1102, KFGT19NF1102 and KFGY19NF1102
	513810	Front Control Harness Assembly	3 Phase; Models GFEG17NG4018, GFEX17NG4018, GFEY17NG4018, KFEG17NG4018, KFEX17NG4018 and KFEY17NG4018
	513529	Wire Harness Assembly	Model KU3MNFCS401NN01

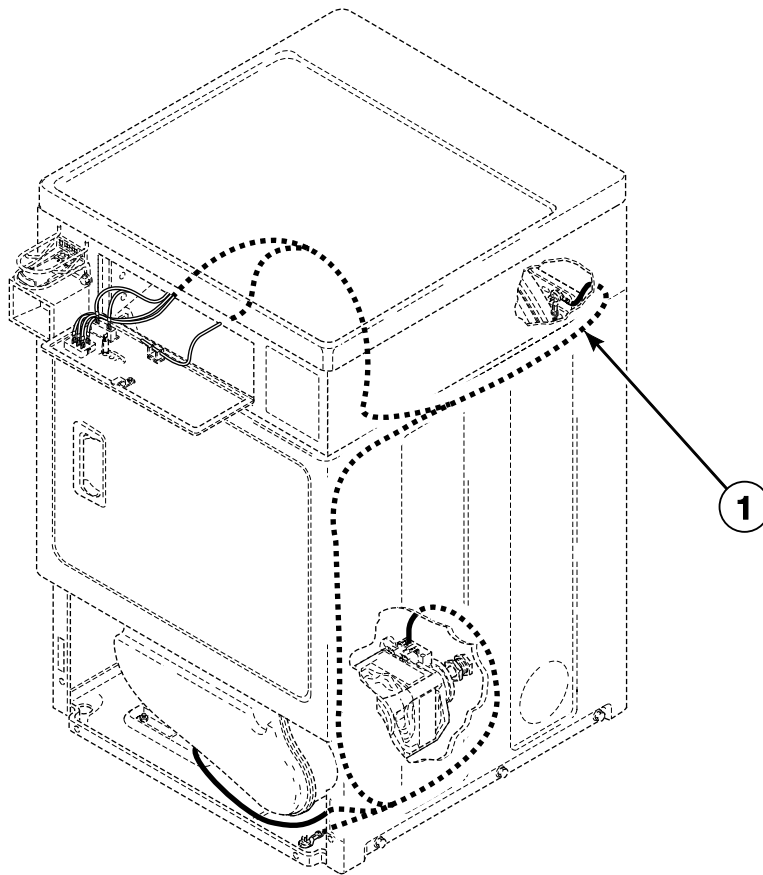
* Add Letter To Designate Color. L - Almond Q - Bisque W - White N - Stainless Steel

N/A = Part no longer available

NOTE: Individual wires are not available separately. Order complete harness, or order wire by the foot. When applying terminals to wires, it is recommended that the terminals be soldered to the wires.

Wire Harnesses and Wires - Front Control Models Through Serial No. 1303025314

Models KFEG17NF1702 and KFET17NF1702



DRY1915PA_506055

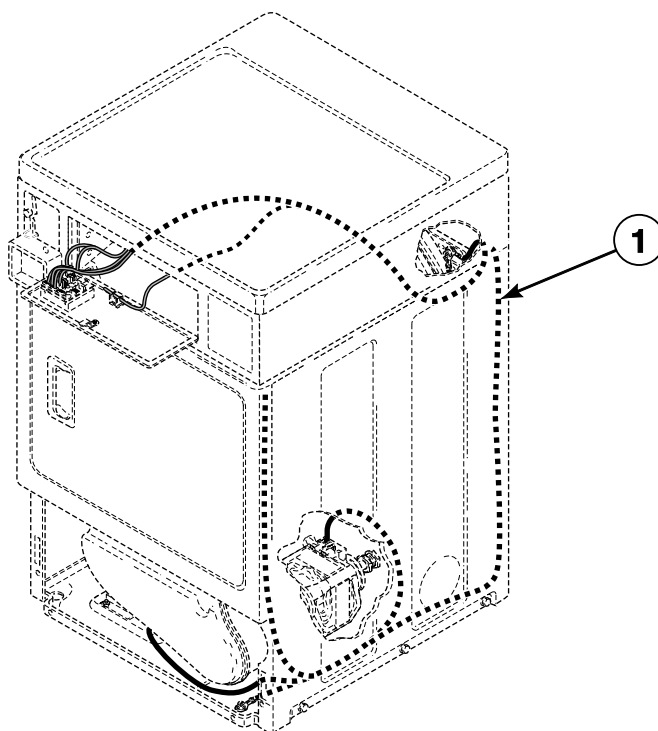
Wire Harnesses and Wires - Front Control Models Through Serial No. 1303025314

REF	PART NO.	DESCRIPTION	COMMENTS
	45380	12 Gauge Wire	Orange; Order wire by foot; Order terminals and connectors as required
	45001	18 Gauge Wire	Black; Order wire by foot; Order terminals and connectors as required
1	512728P	Wire Harness Assembly	

NOTE: Individual wires are not available separately. Order complete harness, or order wire by the foot. When applying terminals to wires, it is recommended that the terminals be soldered to the wires.

Wire Harnesses and Wires - Front Control Models Starting Serial No. 1303025315

Models KFEG17NF1702 and KFET17NF1702



DRY2286P_506055

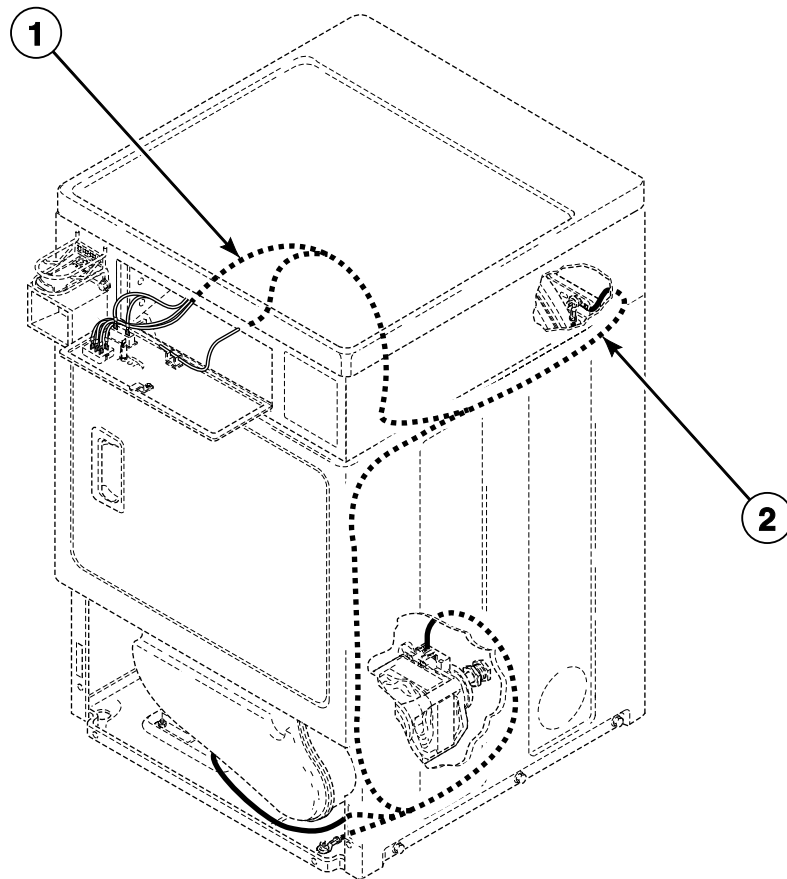
Wire Harnesses and Wires - Front Control Models Starting Serial No. 1303025315

REF	PART NO.	DESCRIPTION	COMMENTS
	45380	12 Gauge Wire	Orange; Order wire by foot; Order terminals and connectors as required
	45001	18 Gauge Wire	Black; Order wire by foot; Order terminals and connectors as required
1	513812	Wire Harness Assembly	

NOTE: Individual wires are not available separately. Order complete harness, or order wire by the foot. When applying terminals to wires, it is recommended that the terminals be soldered to the wires.

Wire Harnesses and Wires - Front Control Models Through Serial No. 0904 (Drawing 1 of 2)

Models BFEL07*G4018, HFEL47*G4018, HFEL67*G4018, NFEL47*G4018,
NFEL67*G4018, SFEL07*G4018 and SFEL67*G4018



DRY1915P_506055

Wire Harnesses and Wires - Front Control Models Through Serial No. 0904 (Drawing 1 of 2)

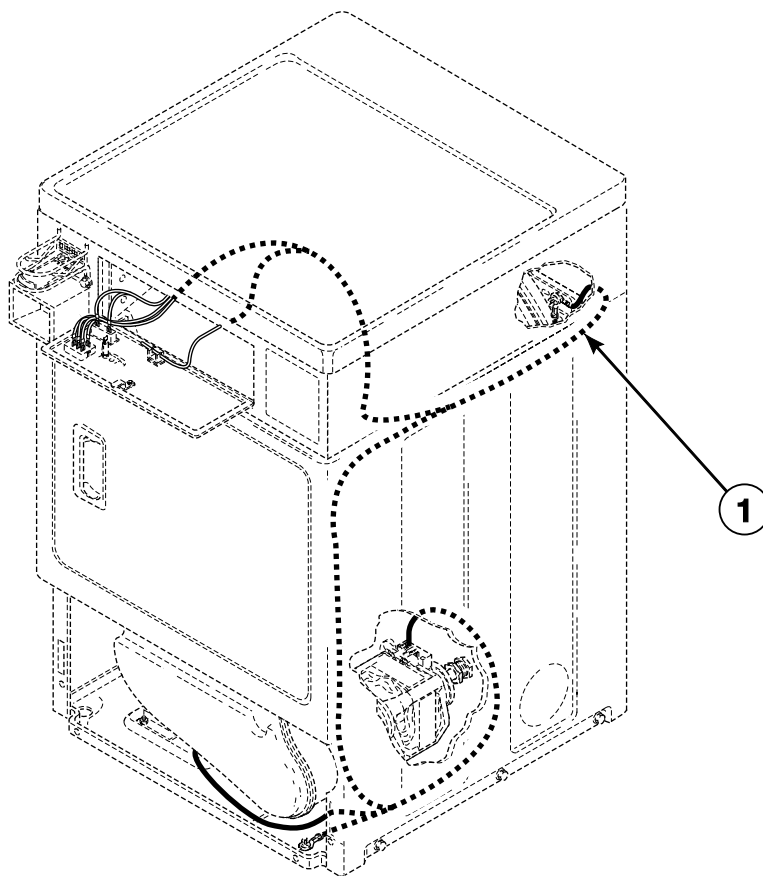
REF	PART NO.	DESCRIPTION	COMMENTS
	45380	12 Gauge Wire	Orange; Order wire by foot; Order terminals and connectors as required
	45001	18 Gauge Wire	Black; Order wire by foot; Order terminals and connectors as required
1	511348P	MDC Security Cabinet Wire Harness	3 Phase
2	511340P	Front Control Wire Harness	Models HFEL47*G4018 and NFEL47*G4018
	511346	Front Control Wire Harness	White and bisque models; Models BFEL07*G4018, HFEL67*G4018, NFEL67*G4018 and SFEL67*G4018
	512954	Front Control Wire Harness	Stainless steel models; Models BFEL07*G4018 and SFEL07*G4018

* Add Letter To Designate Color. L - Almond Q - Bisque W - White N - Stainless Steel

NOTE: Individual wires are not available separately. Order complete harness, or order wire by the foot. When applying terminals to wires, it is recommended that the terminals be soldered to the wires.

Wire Harnesses and Wires - Front Control Models Through Serial No. 0904 (Drawing 2 of 2)

Models BFEX07*G4018, HFEX07*F1702, HFEY07*F1502, HFEY07*F1702,
HFGX09*F1102, HFGY09*F1102, NFEX07*G3018, NFEX07*G4018, SFEX07*F3300,
SFEX07*F4350, SFEX07*G3018, SFEX07*G4018, SFEX67*G4018 and SFEY07*G4018



DRY1915PA_506055

Wire Harnesses and Wires - Front Control Models Through Serial No. 0904 (Drawing 2 of 2)

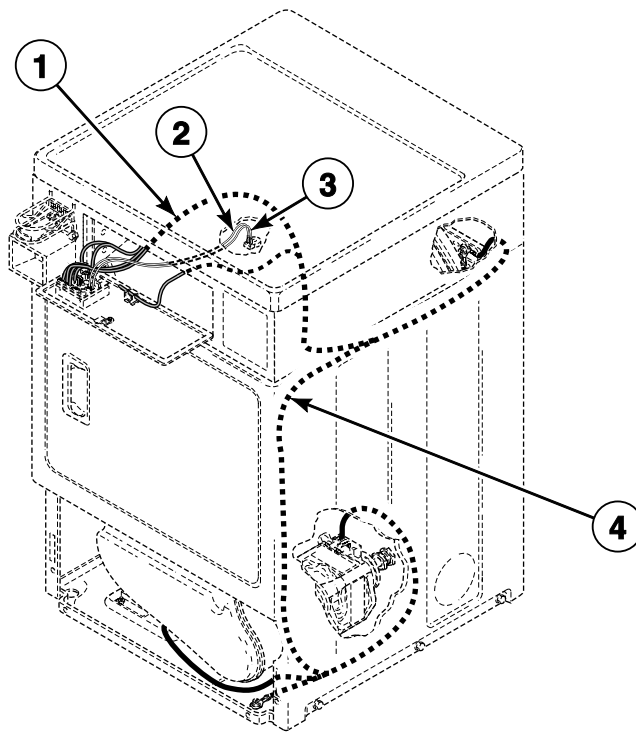
REF	PART NO.	DESCRIPTION	COMMENTS
	45380	12 Gauge Wire	Orange; Order wire by foot; Order terminals and connectors as required
	45001	18 Gauge Wire	Black; Order wire by foot; Order terminals and connectors as required
1	511756	Front Control Wire Harness	Models BFEX07*G4018, NFEX07*G4018, SFEX07*G4018, SFEX67*G4018 and SFEY07*G4018
	511316	Wire Harness Assembly	Models NFEX07*G3018, SFEX07*F3300, SFEX07*F4350 and SFEX07*G3018
	510487P	Wire Harness Assembly	Models HFGX09*F1102 and HFGY09*F1102
	510488P	Wire Harness Assembly	Models HFEX07*F1702, HFEY07*F1502 and HFEY07*F1702

* Add Letter To Designate Color. L - Almond Q - Bisque W - White N - Stainless Steel

NOTE: Individual wires are not available separately. Order complete harness, or order wire by the foot. When applying terminals to wires, it is recommended that the terminals be soldered to the wires.

Wire Harnesses and Wires - Front Control Models Starting Serial No. 0904 and Continuing Through Serial No. 1401

Models BDEBLFGS431AW01, BDGBEFGS111CN01, BDGBEFGS111CW01, BDGBLFGS301AW01, BDGBLFGW541NW01, HDGBXFGS121DW01, HDGBXFGS541DW01, JDEBEFGW301EW01, JDEBFGW301EW01, JDEBGFWSW301EN01, SDGBXFGS121DW01, SDGBXFGS541DW01, BFEL07*G4018, BFEX07*F4350, BFEX07*G4018, BFGX09*F3060, HFEY07*F1702, HFGX09*F1102, HFGY09*F1102, NFEL47*G4018, NFEX07*G3018, NFEX07*G4018, SFEL07*G4018, SFEX07*F3300, SFEX07*F4350, SFEX07*G3018, SFEX07*G4018 and SFEY07*G4018



DRY2165P_506055

Wire Harnesses and Wires - Front Control Models Starting Serial No. 0904 and Continuing Through Serial No. 1401

REF	PART NO.	DESCRIPTION	COMMENTS
	45380	12 Gauge Wire	Orange; Order wire by foot; Order terminals and connectors as required
	45001	18 Gauge Wire	Black; Order wire by foot; Order terminals and connectors as required
	513246P	Jumper Assembly	For models with two resistors, connect jumper wire to each resistor; Models BDEBLFGS431AW01, BDGBLFGS301AW01, BDGBLFGW541NW01, BFEL07*G4018, BFEX07*F4350, BFEX07*G4018, BFGX09*F3060, NFEL47*G4018, NFEX07*G3018, NFEX07*G4018, SFEL07*G4018, SFEX07*F3300, SFEX07*F4350, SFEX07*G3018, SFEX07*G4018 and SFEY07*G4018
1	512422P	Wire Harness Assembly	
2	512273P	Wire Configuration Assembly	
3	512275P	Wire Configuration Assembly	
4	511795P	Electronic Harness	Models BDGBEFGS111CN01, BDGBEFGS111CW01, HDGBXFGS121DW01, SDGBXFGS121DW01, HFGX09*F1102 and HFGY09*F1102
	511794P	Electronic Harness	Models JDEBEFGW301EW01, BFEX07*F4350, HFEY07*F1702, NFEX07*G3018, SFEX07*F3300, SFEX07*F4350 and SFEX07*G3018
	513483	Electronic Harness	Models BDGBLFGS301AW01 and BDGBLFGW541NW01
	512287	Wire Harness Assembly	Model BFGX09*F3060
	512960P	Wire Harness Assembly	Models BFEL07*G4018 and SFEL07*G4018
	512962	Wire Harness Assembly	Model NFEL47*G4018
	513270P	Wire Harness Assembly	Models BDEBLFGS431AW01, JDEBGFGW301EW01 and JDEBGFSW301EN01
	513366	Wire Harness Assembly	Models BFEX07*G4018, NFEX07*G4018, SFEX07*G4018 and SFEY07*G4018
	512291	Wire Harness Assembly	Models HDGBXFGS541DW01 and SDGBXFGS541DW01

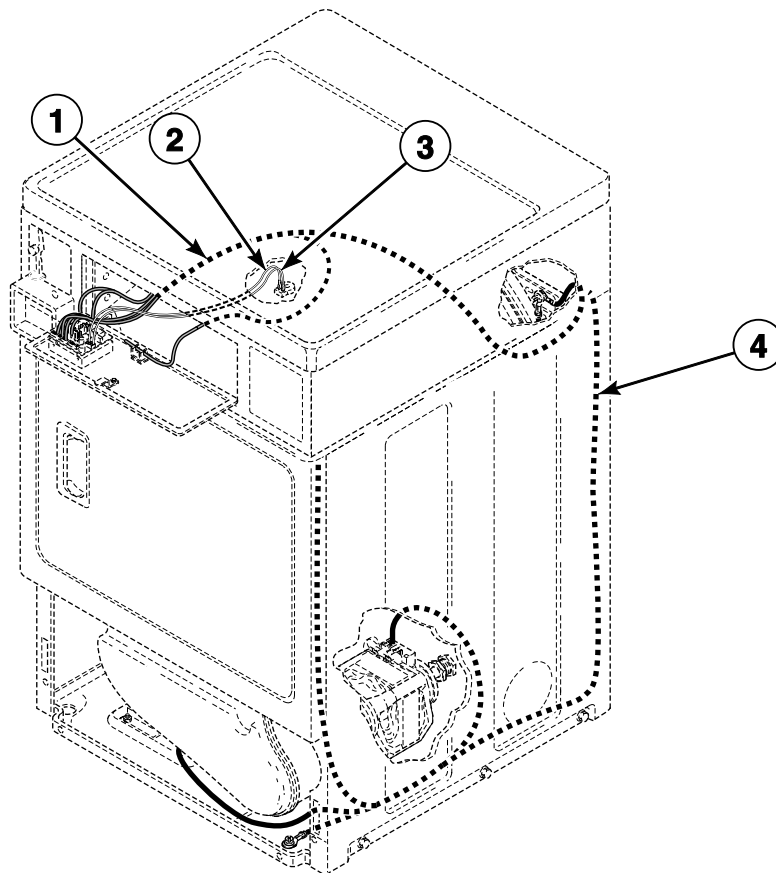
* Add Letter To Designate Color. L - Almond N - Stainless Steel Q - Bisque W - White

NOTE: Individual wires are not available separately. Order complete harness, or order wire by the foot. When applying terminals to wires, it is recommended that the terminals be soldered to the wires.

NOTE: Some models built after Serial No. 0904 may come equipped with one harness. If replacement of harness is necessary, replace with harness listed for model on *Wire Harnesses and Wires - Front Control Models Through Serial No. 0904*.

Wire Harnesses and Wires - Front Control Models Starting Serial No. 1401

Models BDEBLFGS431AW01, BDGBEFGS111CN01, BDGBEFGS111CW01, BDGBLFGS301AW01, BDGBLFGW541NW01, HDGBXFGS121DW01, HDGBXFGS541DW01, JDEBEFGW301EW01, JDEBFGW301EW01, JDEBGFWSW301EN01, SDGBXFGS121DW01, SDGBXFGS541DW01, BFEL07*G4018, BFEX07*F4350, BFEX07*G4018, BFGX09*F3060, HFEY07*F1702, HFGX09*F1102, HFGY09*F1102, NFEL47*G4018, NFEX07*G3018, NFEX07*G4018, SFEL07*G4018, SFEX07*F3300, SFEX07*F4350, SFEX07*G3018, SFEX07*G4018 and SFEY07*G4018



DRY2285P_506055

Wire Harnesses and Wires - Front Control Models Starting Serial No. 1401

REF	PART NO.	DESCRIPTION	COMMENTS
	45380	12 Gauge Wire	Orange; Order wire by foot; Order terminals and connectors as required
	45001	18 Gauge Wire	Black; Order wire by foot; Order terminals and connectors as required
	513246P	Jumper Assembly	For models with two resistors, connect jumper wire to each resistor; Models BDEBLFGS431AW01, BDGBLFGS301AW01, BDGBLFGW541NW01, BFEL07*G4018, BFEX07*F4350, BFEX07*G4018, BFGX09*F3060, NFEL47*G4018, NFEX07*G3018, NFEX07*G4018, SFEL07*G4018, SFEX07*F3300, SFEX07*F4350, SFEX07*G3018, SFEX07*G4018 and SFEY07*G4018
1	512422P	Wire Harness Assembly	
2	512273P	Wire Configuration Assembly	
3	512275P	Wire Configuration Assembly	
4	513835	Electronic Harness	Models BDGBEFGS111CN01, BDGBEFGS111CW01, HDGBXFGS121DW01, SDGBXFGS121DW01, HFGX09*F1102 and HFGY09*F1102
	513830	Electronic Harness	Models JDEBEFGW301EW01, BFEX07*F4350, HFEY07*F1702, NFEX07*G3018, SFEX07*F3300, SFEX07*F4350 and SFEX07*G3018
	513817	Electronic Harness	Models BDGBLFGS301AW01 and BDGBLFGW541NW01
	513839	Wire Harness Assembly	Model BFGX09*F3060
	513816	Wire Harness Assembly	Models BFEL07*G4018 and SFEL07*G4018
	513818	Wire Harness Assembly	Model NFEL47*G4018
	513840	Wire Harness Assembly	Models BDEBLFGS431AW01, JDEBGFGW301EW01 and JDEBGFSW301EN01
	513820	Wire Harness Assembly	Models BFEX07*G4018, NFEX07*G4018, SFEX07*G4018 and SFEY07*G4018
	513843	Wire Harness Assembly	Models HDGBXFGS541DW01 and SDGBXFGS541DW01

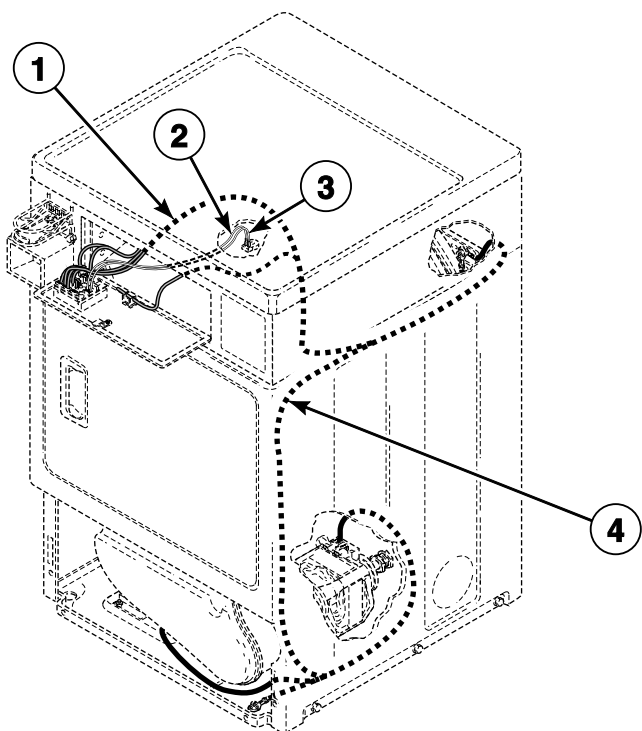
* Add Letter To Designate Color. L - Almond N - Stainless Steel Q - Bisque W - White

NOTE: Individual wires are not available separately. Order complete harness, or order wire by the foot. When applying terminals to wires, it is recommended that the terminals be soldered to the wires.

NOTE: Some models built after Serial No. 0904 may come equipped with one harness. If replacement of harness is necessary, replace with harness listed for model on *Wire Harnesses and Wires - Front Control Models Through Serial No. 0904*.

Wire Harnesses and Wires - Front Control Models Starting Serial No. 0904 and Continuing Through Serial No. 1303025314

Models BDEBEFGS171CN01, BDEBEFGS171CW01, HFEX07*F1702 and HFEY07*F1502



DRY2165P_506055

Wire Harnesses and Wires - Front Control Models Starting Serial No. 0904 and Continuing Through Serial No. 1303025314

REF	PART NO.	DESCRIPTION	COMMENTS
	45380	12 Gauge Wire	Orange; Order wire by foot; Order terminals and connectors as required
	45001	18 Gauge Wire	Black; Order wire by foot; Order terminals and connectors as required
1	512422P	Wire Harness Assembly	
2	512273P	Wire Configuration Assembly	
3	512275P	Wire Configuration Assembly	
4	511794P	Electronic Harness	

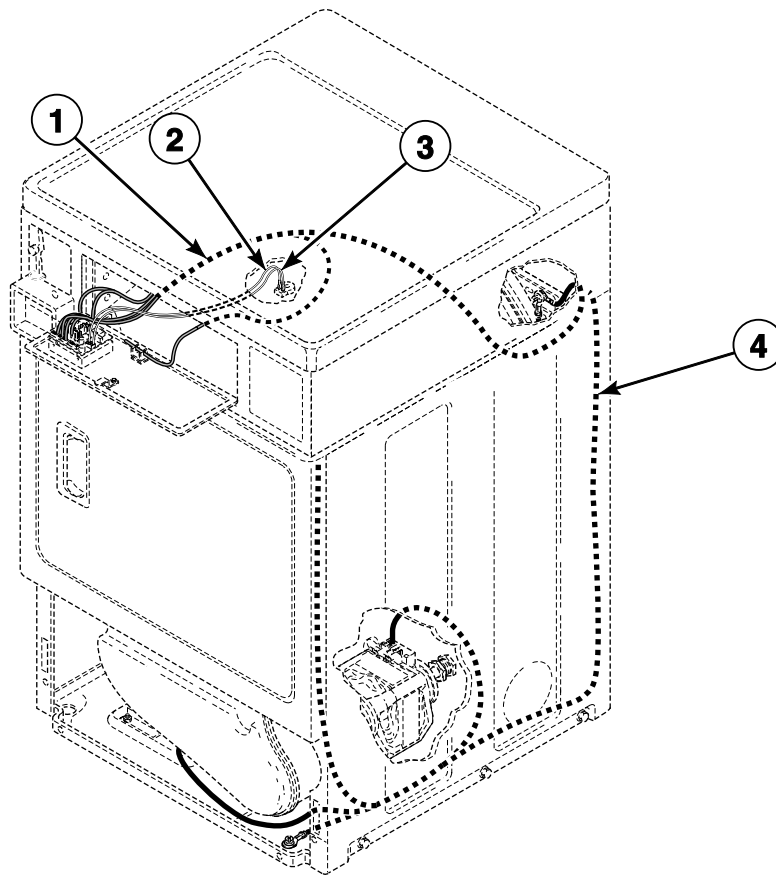
* Add Letter To Designate Color. L - Almond N - Stainless Steel Q - Bisque W - White

NOTE: Individual wires are not available separately. Order complete harness, or order wire by the foot. When applying terminals to wires, it is recommended that the terminals be soldered to the wires.

NOTE: Some models built after Serial No. 0904 may come equipped with one harness. If replacement of harness is necessary, replace with harness listed for model on *Wire Harnesses and Wires - Front Control Models Through Serial No. 0904*.

Wire Harnesses and Wires - Front Control Models Starting Serial No. 13030252315

Models BDEBEFGS171CN01, BDEBEFGS171CW01, HDEBXFGS131DW01, HDEBXFGS541DW01,
SDEBXFGS131DW01, SDEBXFGS541DW01, HFEX07*F1702 and HFEY07*F1502



DRY2285P_506055

Wire Harnesses and Wires - Front Control Models Starting Serial No. 13030252315

REF	PART NO.	DESCRIPTION	COMMENTS
	45380	12 Gauge Wire	Orange; Order wire by foot; Order terminals and connectors as required
	45001	18 Gauge Wire	Black; Order wire by foot; Order terminals and connectors as required
1	512422P	Wire Harness Assembly	
2	512273P	Wire Configuration Assembly	
3	512275P	Wire Configuration Assembly	
4	514096	Electronic Harness	

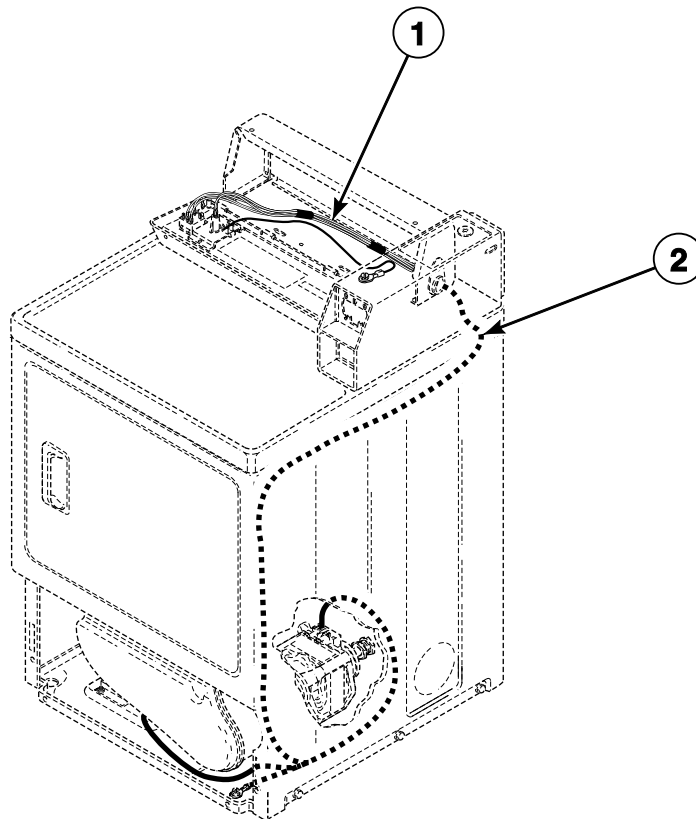
* Add Letter To Designate Color. L - Almond N - Stainless Steel Q - Bisque W - White

NOTE: Individual wires are not available separately. Order complete harness, or order wire by the foot. When applying terminals to wires, it is recommended that the terminals be soldered to the wires.

NOTE: Some models built after Serial No. 0904 may come equipped with one harness. If replacement of harness is necessary, replace with harness listed for model on *Wire Harnesses and Wires - Front Control Models Through Serial No. 0904*.

Wire Harnesses and Wires - Rear Control Models Through Serial No. 1207

Models SDLSXRG541NQ23, SDLSXRG541NW23, BDG809*F1102, BDG909*F1102, FDE807*G3018, FDE807*G4018, GDE807*F5418, GDE807*G3018, GDE907*F5418, GDE907*G3018, HDE807*F1702, HDE907*F1502, HDE907*F1702, HDE907*G3018, HDE907*G4018, HDG809*F1102, HDG909*F1102, JDE807*F4350, JDE807*F5418, JDE807*G3018, JDE907*F4350, JDE907*G3018, JDG809*F3060, JDG809*M3013, JDG809*M3020, JDG909*F3060, JDG909*M3013, JDG909*M3020, NDE807*F3022, NDE807*F5422, NDE807*G3018, NDE807*G4018, NDE907*F3022, NDE907*F5422, NDG809*F3022, NDG809*F5422, NDG909*F3022, NDG909*F5422, PDE807*G3018, PDE807*G4018, PDG809*M3013, SDE807*F3000, SDE807*F4350, SDE907*F3000, SDE907*F4350, SDE907*F5412, SDE907*G3018, SDE907*G4018, SDG809*F3060, SDG909*F3060, SDG909*F5412, SDG909*M3013, UDE807*F1702 and UDG809*F1102



DRY2039P_506055

Wire Harnesses and Wires - Rear Control Models Through Serial No. 1207

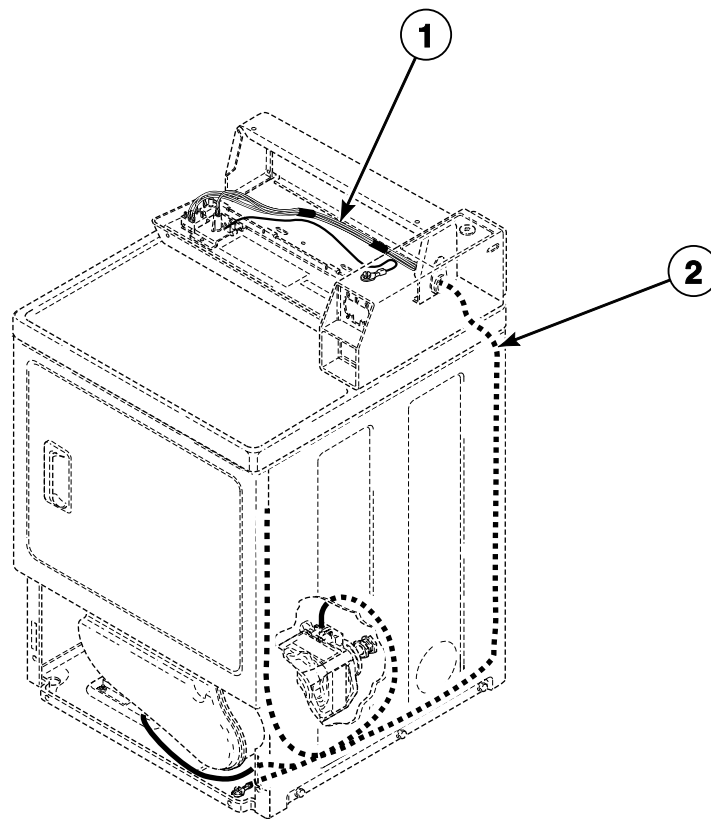
REF	PART NO.	DESCRIPTION	COMMENTS
	45380	12 Gauge Wire	Orange; Order wire by foot; Order terminals and connectors as required
	45001	18 Gauge Wire	Black; Order wire by foot; Order terminals and connectors as required
1	512510	Hood Harness	Models BDG809*F1102, FDE807*G3018, FDE807*G4018, GDE807*F5418, GDE807*G3018, HDE807*F1702, HDG809*F1102, JDE807*F4350, JDE807*F5418, JDE807*G3018, JDG809*F3060, JDG809*M3013, JDG809*M3020, NDE807*F3022, NDE807*F5422, NDE807*G3018, NDE807*G4018, NDG809*F3022, NDG809*F5422, PDE807*G3018, PDE807*G4018, PDG809*M3013, SDE807*F3000, SDE807*F4350, SDG809*F3060, UDE807*F1702 and UDG809*F1102
	512140	Wire Harness Assembly	Some models have a 3/16 inch spade terminal on the coin slide switch; When replacing harness on these models, the switch mount assembly must also be replaced; Models SDLSXRGSS541NQ23, SDLSXRGSS541NW23, BDG909*F1102, GDE907*F5418, GDE907*G3018, HDE907*F1502, HDE907*F1702, HDE907*G3018, HDE907*G4018, HDG909*F1102, JDE907*F4350, JDE907*G3018, JDG909*F3060, JDG909*M3013, JDG909*M3020, NDE907*F3022, NDE907*F5422, NDG909*F3022, NDG909*F5422, SDE907*F3000, SDE907*F4350, SDE907*F5412, SDE907*G3018, SDE907*G4018, SDG909*F3060, SDG909*F5412 and SDG909*M3013
2	511790P	Electronic Harness	Models GDE907*F5418, GDE907*G3018, HDE907*F1502, HDE907*F1702, HDE907*G3018, JDE907*F4350, JDE907*G3018, NDE907*F3022, NDE907*F5422, SDE907*F3000, SDE907*F4350, SDE907*F5412 and SDE907*G3018
	512515P	Wire Harness Assembly	Models JDG809*F3060 and SDG809*F3060
	512513P	Wire Harness Assembly	Models JDG809*M3013, JDG809*M3020, NDG809*F3022 and PDG809*M3013
	512512	Wire Harness Assembly	Models FDE807*G3018, GDE807*F5418, GDE807*G3018, HDE807*F1702, JDE807*F4350, JDE807*F5418, JDE807*G3018, NDE807*F3022, NDE807*F5422, NDE807*G3018, PDE807*G3018, SDE807*F3000, SDE807*F4350 and UDE807*F1702
	512518P	Wire Harness Assembly	Models FDE807*G4018, NDE807*G4018 and PDE807*G4018
	512511P	Wire Harness Assembly	Models BDG809*F1102, HDG809*F1102 and UDG809*F1102
	512283	Wire Harness Assembly	Models SDLSXRGSS541NQ23, SDLSXRGSS541NW23, JDG909*M3013, JDG909*M3020, NDG809*F5422, NDG909*F3022, NDG909*F5422, SDG909*F5412 and SDG909*M3013
	511789P	Electronic Harness	Models BDG909*F1102 and HDG909*F1102
	512281	Wire Harness Assembly	Models JDG909*F3060 and SDG909*F3060
	512646P	Wire Harness Assembly	Models HDE907*G4018 and SDE907*G4018

* Add Letter To Designate Color. G - Gray L - Almond Q - Bisque W - White

NOTE: Individual wires are not available separately. Order complete harness, or order wire by the foot. When applying terminals to wires, it is recommended that the terminals be soldered to the wires.

Wire Harnesses and Wires - Rear Control Models Starting Serial No. 1207 (Drawing 1 of 2)

Models BDEMNRGS431AW01, BDGMNRGS301AW01, NDEBXRGS301NW22, SDEBXRGS301NW22, SDESXRGS151CW02, SDESXRGS171CW02, SDESXRGS541NW22, SDLSXRGS541NQ23, SDLSXRGS541NW23, BDG809*F1102, BDG909*F1102, FDE807*G3018, FDE807*G4018, GDE807*F5418, GDE807*G3018, GDE907*F5418, GDE907*G3018, HDE807*F1702, HDE907*F1502, HDE907*F1702, HDE907*G3018, HDE907*G4018, HDG809*F1102, HDG909*F1102, JDE807*F4350, JDE807*F5418, JDE807*G3018, JDE907*F4350, JDE907*G3018, JDG809*F3060, JDG809*M3013, JDG809*M3020, JDG909*F3060, JDG909*M3013, JDG909*M3020, NDE807*F3022, NDE807*F5422, NDE807*G3018, NDE807*G4018, NDE907*F3022, NDE907*F5422, NDG809*F3022, NDG809*F5422, NDG909*F3022, NDG909*F5422, PDE807*G3018, PDE807*G4018, PDG809*F3060, PDG809*M3013, SDE807*F3000, SDE807*F4350, SDE907*F3000, SDE907*F4350, SDE907*F5412, SDE907*G3018, SDE907*G4018, SDG809*F3060, SDG909*F3060, SDG909*F5412, SDG909*M3013, UDE807*F1702 and UDG809*F1102



DRY2271P_506055

Wire Harnesses and Wires - Rear Control Models Starting Serial No. 1207 (Drawing 1 of 2)

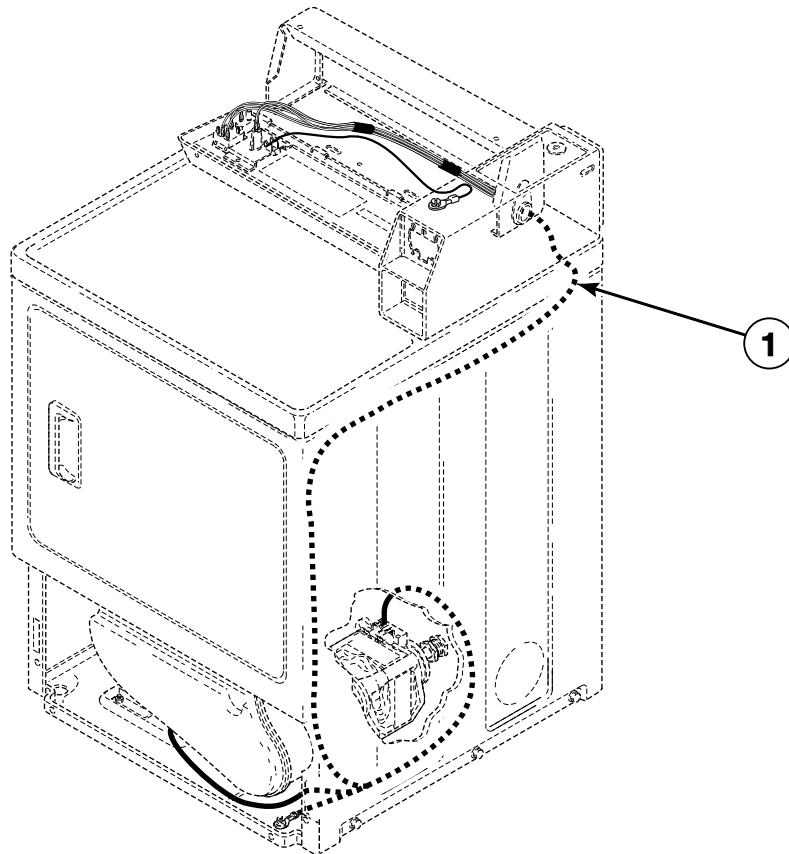
REF	PART NO.	DESCRIPTION	COMMENTS
	45380	12 Gauge Wire	Orange; Order wire by foot; Order terminals and connectors as required
	45001	18 Gauge Wire	Black; Order wire by foot; Order terminals and connectors as required
1	512510	Hood Harness	Models BDEMNRGS431AW01, BDGMNRGS301AW01, BDG809*F1102, FDE807*G3018, FDE807*G4018, GDE807*F5418, GDE807*G3018, HDE807*F1702, HDG809*F1102, JDE807*F4350, JDE807*F5418, JDE807*G3018, JDG809*F3060, JDG809*M3013, JDG809*M3020, NDE807*F3022, NDE807*F5422, NDE807*G3018, NDE807*G4018, NDG809*F3022, NDG809*F5422, PDE807*G3018, PDE807*G4018, PDG809*F3060, PDG809*M3013, SDE807*F3000, SDE807*F4350, SDG809*F3060, UDE807*F1702 and UDG809*F1102
	512140	Wire Harness Assembly	Some models have a 3/16 inch spade terminal on the coin slide switch; When replacing harness on these models, the switch mount assembly must also be replaced; All other models
2	513668	Electronic Harness	Models HDE907*F1502 and HDE907*F1702 through Serial No. 1303025314; Models SDESXRG5151CW02, SDESXRG5171CW02, SDESXRG541NW22, GDE907*F5418, GDE907*G3018, HDE907*G3018, JDE907*F4350, JDE907*G3018, NDE907*F3022, NDE907*F5422, SDE907*F3000, SDE907*F4350, SDE907*F5412 and SDE907*G3018
	513944	Electronic Harness	Models HDE907*F1502 and HDE907*F1702 starting Serial No. 1303025315
	513679	Wire Harness Assembly	Models BDGMNRGS301AW01, JDG809*F3060, PDG809*F3060 and SDG809*F3060
	513677	Wire Harness Assembly	Models JDG809*M3013, JDG809*M3020, NDG809*F3022 and PDG809*M3013
	513670	Wire Harness Assembly	Models HDE807*F1702 and UDE807*F1702 through Serial No. 1303025314; Models BDEMNRGS431AW01, FDE807*G3018, GDE807*F5418, GDE807*G3018, JDE807*F4350, JDE807*F5418, JDE807*G3018, NDE807*F3022, NDE807*F5422, NDE807*G3018, PDE807*G3018, SDE807*F3000 and SDE807*F4350; Models HDE807*F1702 and UDE807*F1702 starting Serial No. 1303025315
	513672	Wire Harness Assembly	Models FDE807*G4018, NDE807*G4018 and PDE807*G4018
	513675	Wire Harness Assembly	Models BDG809*F1102, HDG809*F1102 and UDG809*F1102
	513673	Electronic Harness	Models SDLSXRG541NQ23, SDLSXRG541NW23, JDG909*M3013, JDG909*M3020, NDG809*F5422, NDG909*F3022, NDG909*F5422, SDG909*F5412 and SDG909*M3013
	513669	Electronic Harness	Models BDG909*F1102 and HDG909*F1102
	513671	Electronic Harness	Models JDG909*F3060 and SDG909*F3060
	513674	Electronic Harness	Models HDE907*G4018 and SDE907*G4018
	510550	Ground Wire Assembly	Models NDEBXRG5301NW22 and SDEBXRG5301NW22

* Add Letter To Designate Color. G - Gray L - Almond Q - Bisque W - White

NOTE: Individual wires are not available separately. Order complete harness, or order wire by the foot. When applying terminals to wires, it is recommended that the terminals be soldered to the wires.

Wire Harnesses and Wires - Rear Control

Models HDE007*F1702, HDE007*F3000, HDE007*G3003, HDE007*G3008, HDE007*G3010, HDE007*G4008, HDE007*G4010, HDE107*F1502, HDE107*F1702, HDE107*F3000, HDE107*G3003, HDE107*G3018, HDE107*G4018, HDE507*F1502, HDE507*F1702, HDE707*F1502, HDE707*F1702, HDEB07*J1502, HDEB07*J1702, HDEF07*J1502, HDEF07*J1702, HDET07*F1502, HDET07*F1702, HDEX07*F3000, HDEX07*G3018, HDEY07*F99N2, HDEZ07*F1502, HDEZ07*F1702, HDG009*F1102, HDG009*F3000, HDG009*G3008, HDG009*M3008, HDG109*F1102, HDG109*F3000, HDG109*G3013, HDG109*M3013, HDG509*F1102, HDG709*F1102, HDGB09*J1102, HDGF09*J1102, HDGT09*F1102, HDGX09*F3000, HDGX09*M3013, HDGZ09*F1102, NDE007*G3018, NDE007*G4018, SDE007*F3000, SDE007*F4350, SDE007*G3018, SDE107*F3000, SDE107*F4350, SDE107*F5412, SDE107*F5417, SDE107*G3018, SDE107*G4018, SDE407*F3000, SDE407*F4350, SDEA07*J3000, SDEA07*J4350, SDEF07*J4350, SDEX07*G3018, SDEX07*G4018, SDG009*F3000, SDG009*F3058, SDG009*F3060, SDG109*F3000, SDG109*F3058, SDG109*F3060, SDG109*F5412, SDG109*G3013, SDG109*M3013, SDG409*F3000, SDG409*F3058, SDGF09*J3060, SDGX09*F3000, SDGX09*M3013, UDE007*F3000, UDE007*F3025, UDG009*F3000 and UDG009*F3025



DRY1916P_506055

Wire Harnesses and Wires - Rear Control

REF	PART NO.	DESCRIPTION	COMMENTS
	45380	12 Gauge Wire	Orange; Order wire by foot; Order terminals and connectors as required
	45001	18 Gauge Wire	Black; Order wire by foot; Order terminals and connectors as required
1	N/A	Wire Harness Assembly	Models HDE007*G3003, HDE007*G3008, HDE007*G3010, HDE507*F1502, HDE507*F1702, HDE707*F1502, HDE707*F1702, HDEX07*F3000, HDEX07*G3018, HDG009*F3000, HDG009*G3008, HDG009*M3008, HDG109*G3013, HDG109*M3013, HDGX09*F3000, NDE007*G3018, SDE007*F3000, SDE007*F4350, SDE007*G3018, SDE407*F3000, SDEA07*J3000, SDEA07*J4350, SDEF07*J4350, SDEX07*G3018, SDG009*F3000, SDG009*F3058, SDG109*F3058, SDG109*G3013, SDG109*M3013, SDG409*F3000, SDGX09*F3000, UDE007*F3000, UDE007*F3025, UDG009*F3000 and UDG009*F3025
	510400P	Wire Harness Assembly	Models HDE107*F1502 and HDE107*F1702
	510401P	Wire Harness Assembly	Model HDG109*F1102
	510404P	Wire Harness Assembly	Models HDE007*F1702 and HDE007*F3000
	510405P	Wire Harness Assembly	Model HDG009*F1102
	510407P	Wire Harness Assembly	Models HDG509*F1102 and HDG709*F1102
	510430P	Wire Harness Assembly	Models HDE107*F3000, SDE107*F3000, SDE107*F4350, SDE107*F5412 and SDE107*F5417
	510431P	Wire Harness Assembly	Models HDG109*F3000, SDG109*F3000 and SDG109*F5412
	510458	Wire Harness Assembly	Models HDE107*G3003, HDE107*G3018 and SDE107*G3018
	510462	Wire Harness Assembly	Model SDE407*F4350
	510467	Wire Harness Assembly	Model SDG409*F3058
	510486	Wire Harness Assembly	Models HDEB07*J1502, HDEB07*J1702, HDEF07*J1502, HDEF07*J1702, HDET07*F1502, HDET07*F1702, HDEY07*F99N2, HDEZ07*F1502 and HDEZ07*F1702
	511315	Wire Harness Assembly	Models HDGX09*M3013 and SDGX09*M3013
	511326	Wire Harness Assembly	Models HDE007*G4008, HDE007*G4010 and NDE007*G4018
	511328	Wire Harness Assembly	Models HDE107*G4018 and SDE107*G4018
	511334	Wire Harness Assembly	Model SDEX07*G4018
	511339P	Wire Harness Assembly	Model SDG109*F3060
	511337	Wire Harness Assembly	Model SDG009*F3060
	510485P	Wire Harness Assembly	Models HDGB09*J1102, HDGF09*J1102, HDGT09*F1102 and HDGZ09*F1102
	511759P	Wire Harness Assembly	Model SDGF09*J3060

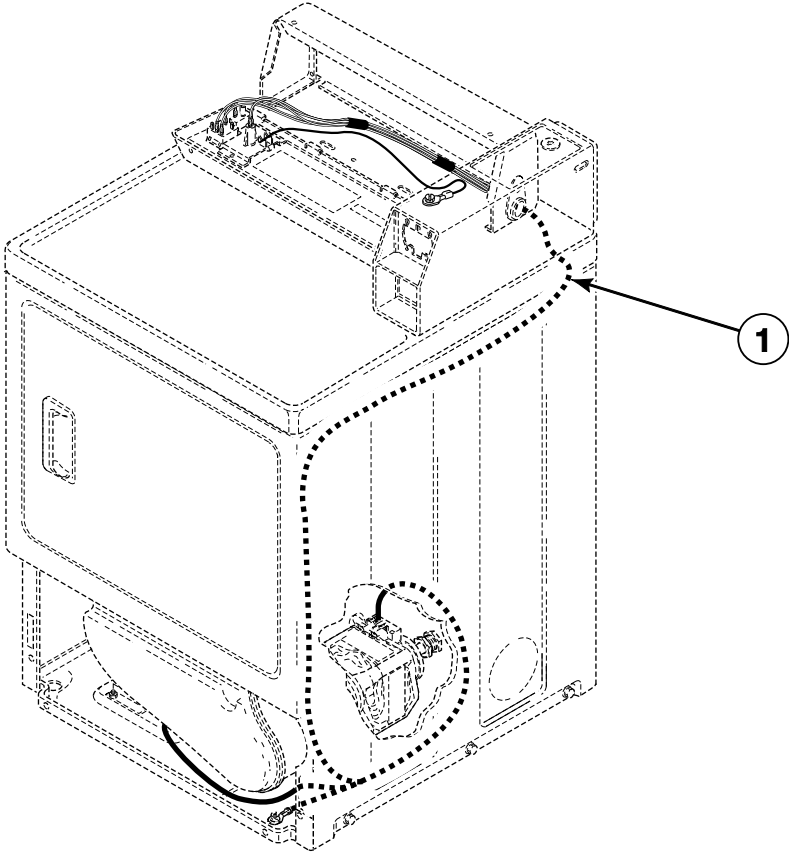
* Add Letter To Designate Color. G - Gray L - Almond Q - Bisque W - White

N/A = Part no longer available

NOTE: Individual wires are not available separately. Order complete harness, or order wire by the foot. When applying terminals to wires, it is recommended that the terminals be soldered to the wires.

Wire Harnesses and Wires - Rear Control Models Through Serial No. 0904

Models HDER07*F1502, HDER07*F1702, HDEX07*F1502, HDEX07*F1702, HDEY07*F1502, HDEY07*F1702,
HDGR09*F1102, HDGX09*F1102, HDGY09*F1102, SDEX07*F3000, SDEX07*F4350 and SDGX09*F3060



DRY1916P_506055

Wire Harnesses and Wires - Rear Control Models Through Serial No. 0904

REF	PART NO.	DESCRIPTION	COMMENTS
	45380	12 Gauge Wire	Orange; Order wire by foot; Order terminals and connectors as required
	45001	18 Gauge Wire	Black; Order wire by foot; Order terminals and connectors as required
1	N/A	Wire Harness Assembly	Models SDEX07*F3000 and SDEX07*F4350
	510486	Wire Harness Assembly	Models HDER07*F1502, HDER07*F1702, HDEX07*F1502, HDEX07*F1702, HDEY07*F1502 and HDEY07*F1702
	510485P	Wire Harness Assembly	Models HDGR09*F1102, HDGX09*F1102 and HDGY09*F1102
	511759P	Wire Harness Assembly	Model SDGX09*F3060

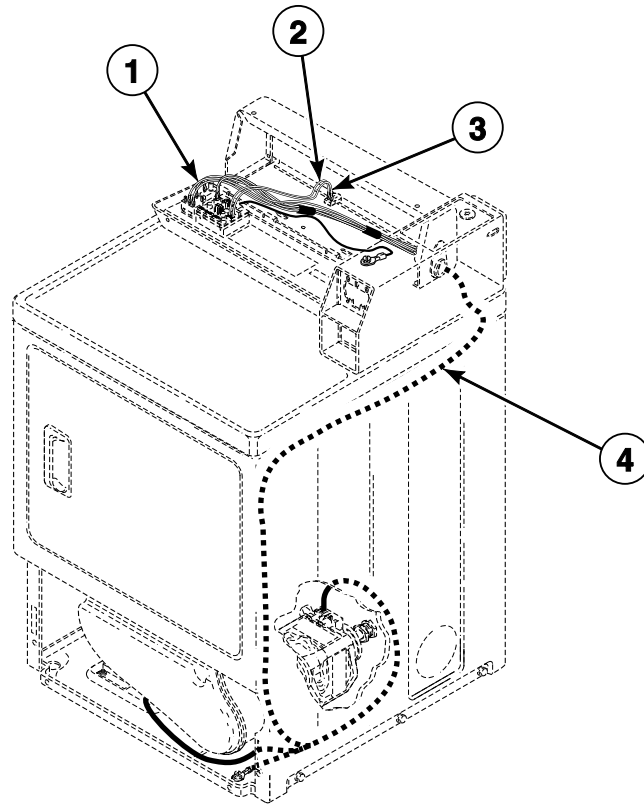
* Add Letter To Designate Color. **G** - Gray **L** - Almond **Q** - Bisque **W** - White

N/A = Part no longer available

NOTE: Individual wires are not available separately. Order complete harness, or order wire by the foot. When applying terminals to wires, it is recommended that the terminals be soldered to the wires.

Wire Harnesses and Wires - Rear Control Models Starting Serial No. 0904 and Continuing Through Serial No. 1207

Models HDER07*F1502, HDER07*F1702, HDEX07*F1502, HDEX07*F1702, HDEY07*F1502, HDEY07*F1702, HDGR09*F1102, HDGX09*F1102, HDGY09*F1102, SDEX07*F3000, SDEX07*F4350 and SDGX09*F3060



DRY2164P_506055

Wire Harnesses and Wires - Rear Control Models Starting Serial No. 0904 and Continuing Through Serial No. 1207

REF	PART NO.	DESCRIPTION	COMMENTS
	45380	12 Gauge Wire	Orange; Order wire by foot; Order terminals and connectors as required
	45001	18 Gauge Wire	Black; Order wire by foot; Order terminals and connectors as required
	513246P	Jumper Assembly	For models with two resistors, connect jumper wire to each resistor; Models SDEX07*F3000, SDEX07*F4350 and SDGX09*F3060
1	512422P	Wire Harness Assembly	
2	512273P	Wire Configuration Assembly	
3	512275P	Wire Configuration Assembly	
4	511789P	Electronic Harness	Models HDGR09*F1102, HDGX09*F1102 and HDGY09*F1102
	511790P	Electronic Harness	Models HDER07*F1502, HDER07*F1702, HDEX07*F1502, HDEX07*F1702, HDEY07*F1502, HDEY07*F1702, SDEX07*F3000 and SDEX07*F4350
	512281	Wire Harness Assembly	Model SDGX09*F3060

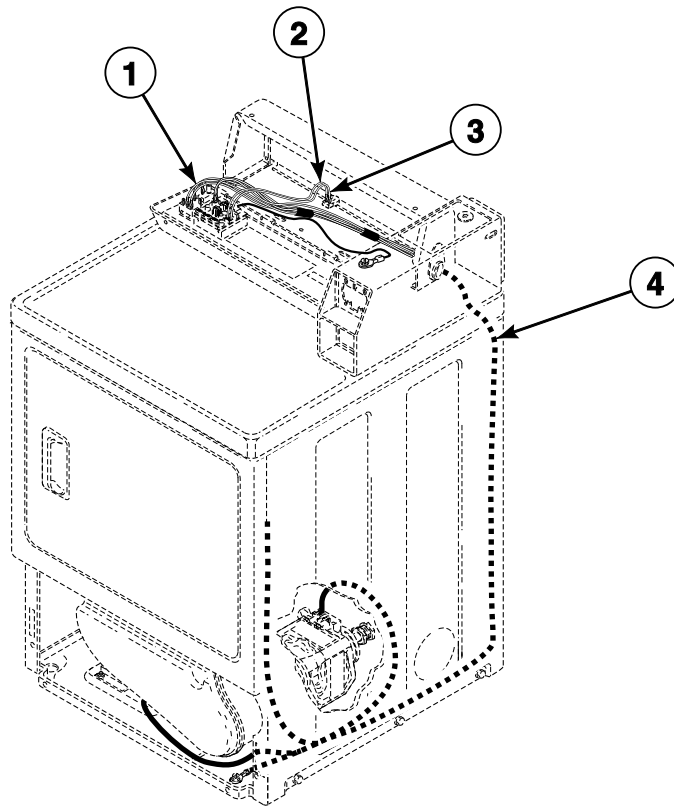
* Add Letter To Designate Color. L - Almond N - Stainless Steel Q - Bisque W - White

NOTE: Individual wires are not available separately. Order complete harness, or order wire by the foot. When applying terminals to wires, it is recommended that the terminals be soldered to the wires.

NOTE: Some models built after Serial No. 0904 may come equipped with one harness. If replacement of harness is necessary, replace with harness listed for model on *Wire Harnesses and Wires - Rear Control Models Through Serial No. 0904*.

Wire Harnesses and Wires - Rear Control Models Starting Serial No. 1207 (Drawing 2 of 2)

Models BDGBXRG301AW01, HDEBXRGS171FW28, HDER07*F1502, HDER07*F1702, HDEX07*F1502, HDEX07*F1702, HDEY07*F1502, HDEY07*F1702, HDGR09*F1102, HDGX09*F1102, HDGY09*F1102, SDEX07*F3000, SDEX07*F4350 and SDGX09*F3060



DRY2272P_506055

Wire Harnesses and Wires - Rear Control Models Starting Serial No. 1207 (Drawing 2 of 2)

REF	PART NO.	DESCRIPTION	COMMENTS
	45380	12 Gauge Wire	Orange; Order wire by foot; Order terminals and connectors as required
	45001	18 Gauge Wire	Black; Order wire by foot; Order terminals and connectors as required
	513246P	Jumper Assembly	For models with two resistors, connect jumper wire to each resistor; Models BDGBXRG301AW01, SDEX07*F3000, SDEX07*F4350 and SDGX09*F3060
1	512422P	Wire Harness Assembly	
2	512273P	Wire Configuration Assembly	
3	512275P	Wire Configuration Assembly	
4	513669	Electronic Harness	Models HDGR09*F1102, HDGX09*F1102 and HDGY09*F1102
	513668	Electronic Harness	Models HDEBXRGS171FW28, SDEX07*F3000 and SDEX07*F4350; Models HDER07*F1502, HDER07*F1702, HDEX07*F1502, HDEX07*F1702, HDEY07*F1502 and HDEY07*F1702 through Serial No. 1303025314
	513944	Electronic Harness	Models HDER07*F1502, HDER07*F1702, HDEX07*F1502, HDEX07*F1702, HDEY07*F1502 and HDEY07*F1702 starting Serial No. 1303025315
	513671	Electronic Harness	Models BDGBXRG301AW01 and SDGX09*F3060

* Add Letter To Designate Color. L - Almond N - Stainless Steel Q - Bisque W - White

NOTE: Individual wires are not available separately. Order complete harness, or order wire by the foot. When applying terminals to wires, it is recommended that the terminals be soldered to the wires.

NOTE: Some models built after Serial No. 0904 may come equipped with one harness. If replacement of harness is necessary, replace with harness listed for model on *Wire Harnesses and Wires - Rear Control Models Through Serial No. 0904*.

Parts Index

A

Access Cover Plate	
514356	123
Access Panel	
510069LP	81
513521	81
Access Panel and Guard Assembly	
514252Q	81
514252W	81
514253	81
Access Panel Assembly	
514250G	81
514250Q	81
514250WP	81
514251	81
Access Panel Plate	
510903	123
Access Panel with Guard Assembly	
514252G	81
Accumulator Kit	
510632P	69
Accumulator Replacement Kit	
510629P	69
Adhesive	
511637P	93, 97, 101
Air Duct Assembly	
510151DG	93
510151LG	95
510151W	93, 95
Anti-Seize Compound	
27604P	85, 87
Audit Switch Bracket	
800379	47

B

Blank Black Label	
512824	57
Block to Relay Harness	
511112P	107
Blower and Fan Kit	
510717P	87
Blower Fan Assembly	
510139P	87
Blower Housing	
511969LG	87
511969WP	87
Blower Housing Seal	
510238P	87
Bolt	
02505	23, 25, 27, 37, 39
29651	23, 25, 27, 45, 61, 65, 67
512505	59
Booster and Holding Coil	
58804A	115
59063A	115
Bracket	
510146	43

513527	123
803662	31
Bumper Pad	
56128	123
Burner Assembly	
510149P	113, 121

C

Cabinet Rear Panel	
514632P	123
Cabinet Side Panel	
510001GP	123
510001LP	123
510001QP	123
510001WP	123
510002GP	123
510002LP	123
510002QP	123
510002WP	123
512538	123
512539	123
512951	123
Card Insert Overlay	
511548	57
511561	57
Card Reader	
512473	39, 59
Card Reader and Bracket Assembly	
510068P	19
Card Reader Assembly	
210045P	19
Card Reader Bracket	
210023	19
Card Reader Instruction Overlay	
38192	39, 59
Card Reader Kit	
874P3	39
876P3	59
Card Reader Shield	
801101	125
Card Reader Wire Harness Assembly	
38191	39
800125P	19
Caution Label	
500253	83
Central Pay Harness	
511478	47, 65
Chassis Mounting Bracket	
201581	27
Clean Lint Label	
502804	83
Clip	
201572	35, 53
Coin Drop	
38963P	33, 51
70441601P	33, 51
Coin Drop Assembly	
CK114	33, 51
CK123	33, 51

N/A items do not appear in index.

38462P.....	33, 51	510067W.....	17
38463.....	33, 51	511055L.....	19
38464P.....	33, 51	511055Q.....	19
38467.....	33, 51	511055W.....	19
38472.....	33, 51	511648B.....	65
38475.....	33, 51	511648W.....	65
38519.....	33, 51	Control Panel and Bracket Assembly	
38521.....	33, 51	501738Q.....	7, 13
39157.....	33, 51	501738W.....	7, 13
70441602.....	33, 51	504447L.....	45
70482401.....	33, 51	504447Q.....	45
Coin Drop Kit		504447W.....	45
CK077.....	33, 51	505510L.....	49
Coin Drop Wire Harness		505510W.....	49
201104.....	35, 53	510077B.....	49
Coin Funnel Kit		510077W.....	49
523P3.....	23, 25, 27, 45	Control Panel Assembly	
Coin Identification Paper		512533Q.....	11
38725.....	35, 53	512533W.....	11
Coin Meter Drive		512705.....	49
M400754.....	69	Control Panel Overlay	
Coin Slide Extension		511508.....	19
503455.....	45	512368.....	11
503733.....	23	512489.....	13
506114.....	25	512490.....	13
Coin Slide Extension Kit		512677.....	13
200913.....	31	512679.....	11
514228.....	29	512865.....	13
Coin Slide Guard		512927.....	11
58181.....	45	513604.....	11
Combustion Duct		Control Shield	
510131.....	111	510083.....	17, 27
510132.....	111	512304.....	27
Connector, 2 Circuit		Conversion Kit	
58799.....	133	756P3.....	107
Connector, 3 Circuit		Cylinder Assembly	
58800.....	131	505929LGP.....	97
Contactora		510265LGP.....	97
F330177P.....	107	510265WP.....	93, 97
70323701P.....	125	512700P.....	93
Contactora Bracket		512999DG.....	93
511859.....	125	Cylinder Baffle	
Control Assembly		510102DG.....	93
511867P.....	17, 19, 49, 65	510102LG.....	97
513139P.....	27	510102W.....	93, 97
Control Cabinet Bottom		Cylinder Belt	
801777.....	65	511255P.....	85
Control Hood		Cylinder Glide	
502567L.....	9, 13, 15, 17, 39	513710.....	93, 95
502567Q.....	9, 13, 15, 17, 39	Cylinder Glide Bracket	
502567W.....	9, 13, 15, 17, 39	510145.....	93, 95
511253L.....	11, 19	Cylinder Light Assembly	
511253Q.....	11, 19	512109.....	93
511253W.....	11	512564.....	93
Control Kit		Cylinder Light Lens	
M411883P.....	15	512106.....	93
M414050P.....	15, 49	Cylinder Roller	
505905P.....	17, 19, 49	510708P.....	101
Control Overlay		Cylinder Roller Bracket	
513146.....	13	510100.....	101
Control Panel		Cylinder Seal Assembly	
501359Q.....	15	510207P.....	93, 97, 101
501359W.....	15		
510067L.....	17		
510067Q.....	17		

N/A items do not appear in index.

D

Damper	
58786	123
Diagnostic Wire Harness Assembly	
800374	47
800680	19, 65
Din Rail	
M412693	107, 125
Directional Exhaust Kit	
528P3	123
Disconnect Power Warning Label	
505281	41
Domed Label	
800921	65
800922	65
Door and Liner Assembly	
511636WP	75
Door Catch Assembly	
510177	83
Door Handle Wedge	
510129	75, 79
Door Liner and Seal Assembly	
510289LG	79
513531	77
Door Liner Grill	
503870W	75
Door Pull	
512947	75, 79
Door Pull and Wedge Kit	
510103LP	79
510103QP	79
510103WP	75, 79
Door Pull Kit	
512620P	71, 73, 77
Door Strike	
510181	71, 73, 75, 77, 79
Door Strike Mount	
510127	71, 73, 75, 77, 79
Door Switch Bracket	
38087	37, 55
Drip Shield	
514327	83
Drum Light Lamp	
503579	93
60954	93
Dryer Base	
513901	123
Dryer Door	
510013GP	79
510013LP	79
510013QP	79
510013WP	79
510082WP	75
512699	71, 73
512704	77
512969	79
513225	75
Dryer Door Assembly	
514167	73
Dryer Door Window	
503982P	71, 73, 75

Dual Contactor Harness	
514920	107
Dual Overlay	
39073	37, 55

E

Elbow	
513072	115
Elbow Shut-Off Valve	
510205	113, 115
Electric Clearance Label	
511005	123
Electrical Shock Label	
F8211201	99
502511	41
Electronic Coin Drop Assembly	
70294103P	35, 53
70294104	35, 53
70294105P	35, 53
70294106	35
70294107	35, 53
70294109	35, 53
70294110	35, 53
70294111	35, 53
70294120	35, 53
70294121	35, 53
Electronic Coin Drop Kit	
CK099	35, 53
CK100	35, 53
CK101	35, 53
CK103	35, 53
CK106	35, 53
CK108	35, 53
CK109	35, 53
CK110	35
CK113	35, 53
CK115	35, 53
CK120	35, 53
CK121	35, 53
Electronic Harness	
511789P	161, 169
511790P	161, 169
511794P	153, 157
511795P	153
513483	153
513668	163, 171
513669	163, 171
513671	163, 171
513673	163
513674	163
513817	155
513830	155
513835	155
513944	163, 171
514096	159
Electronic Wire Harness Assembly	
512730	139
513814	143
End Cap	
210108W	11, 19
210109W	11, 19
End Stop	
70121001	107, 125

N/A items do not appear in index.

Exhaust Duct 510137	123
Expansion Clip 70030501	65
Extractor Tool 128P4	135
190P4	135

F

Fabric Selector Switch 61512	7, 11, 45, 63
Felt Pad 510189	93, 95
Female Piggyback Terminal 00361	133
Female Pin Terminal 00117	131
00128	131
00130	131
Female Spade Terminal 00114	133
00115	133
00121	133
00124	133
00156	133
00189	133
00222	133
00223	133
Female Tab Terminal 00344	133
Female Terminal 00188	135
00255	135
00256	135
Flexible Venting Kit 521P3	123
Front Bulkhead Assembly 510266P	95
512476	93
Front Control Harness 512955P	137
Front Control Harness Assembly 512400	139
513810	143
Front Control Wire Harness 511340P	149
511346	149
511756	151
512954	149
Front Panel 510066GP	83
510066LP	83
510066QP	83
510066WP	83
512542	83
Front Panel Assembly 513781WP	83
Front Panel Seal 511056	83
Fuse 502592	41
502593	41

Fuse Carrier 502811	41
Fuse Holder Bracket 502589	41
Fuse Holder Kit 502591P	41

G

Gas Valve Assembly 502478P	113
510506P	115
60353P	115
Gas Valve Mounting Bracket 510128	113, 115
Glass Door Window 513910	73
Glide Kit RB170003	93, 95
Graphic Overlay 504113	15
505695	49
510070	17
510075	49
510113	19
511233	17
511573	49
511654	65
511895	7
511896	7
511897	7, 13
511898	7
511899	49
511900	7
511901	7
511904	7
511905	7
512008	49
512029	49
512054	65
512102	49
512495	13
512534	49
512726	49
512760	65
512849	11
513247	65
513248	49
513392	49
513481	65
513526	63
Ground Wire Assembly 510550	163
Grounding Clip 00161	133

H

Harness 512501	39, 59
Harness Assembly 511327	125
802904P	51
802905	17, 35, 47, 51, 53, 57

N/A items do not appear in index.

Harness Replacement Kit 510534P	45
Harness Strap 55881	131
Heat Duct Shroud 510101	111
Heater 511014P	107
Heater Assembly 510324P	109
510326P	109
510327P	109
510329P	109
510330P	109
Heater Duct and Screw Assembly 510025P	107, 109, 111
Heater Kit 964P3	109
965P3	109
Heater Kit Assembly 61927	109
61929	109
61930	109
Hinge 511036	65, 71, 73, 75, 77, 79
Hinge Hole Plug 510186	83
Hold Down Kit 526P3	123
Hood Back Plate 505798	9, 13, 15, 17, 19
Hood Harness 512510	161, 163
513442	63
Housing, 10 Position 500338	135

I

Idler Lever 510133	87
Idler Lever and Wheel Assembly 510158	87
Idler Spring 510185	87
Idler Wheel and Bearing Assembly 510142P	87
Igniter and Bracket Assembly 510184P	121
Igniter and Sensor Assembly 502995P	113
Igniter Control 502994P	113
Ignition Control Bracket 502425	113
Indicator Light 38280	7, 11, 63
Instruction Label 500628	23, 25
502783	21
511903	55, 57
513544	55, 57

Instruction Overlay 504585	45, 55, 57, 59
Instruction Plate 500490	21
Insulated Female Flag Terminal 00221	133
Insulated Female Spade Terminal 00359	133
00360	131
Insulated Female Terminal 00165	133

J

Jumper Assembly 513246P	153, 155, 169, 171
Jumper Configuration Assembly M413507	17, 47, 65
Jumper Wire Assembly 511270	107

K

Key 54612	45, 47
--------------------	--------

L

Lead-In Cord 512019	127
56222	127
59373	127
Lead-In Cord Assembly 503597	127
505938	127
510505P	127
514222	127
514289	127
Lead-In Cord Kit 61605P	127
Lead-In Pipe Assembly 510204	113, 121
Left Control Cabinet Side 800900B	65
800900LP	65
800900QP	65
800900WP	65
Leveling Leg 510135	123
Light 32464	7, 11, 45
32519	7, 11
36967	7
801431	13
Light Housing Assembly 512108	93
Limit Thermostat 510701	107, 109
510702	111
Liner and Seal Assembly 510098W	75

N/A items do not appear in index.

Liner Assembly	
512914	71
Liner Door Seal	
510147P	71, 73, 75, 77, 79
Liner, Seal and Grill Assembly	
510163WP	79
512914DG	73
513109P	75, 79
Lint Filter	
503980DG	93
503980LG	95
503980W	93, 95
Lock Cam	
27261	45, 47
Lock Kit	
27260P	45, 47
Long Vault Slide Extension Kit	
788P3	25
Long Vault Timer Bracket	
200832	25
Long Vault Timer Bracket Kit	
789P3	25
L.P. Conversion Kit	
458P3	113, 121
600P3	113, 121
L.P. Orifice	
503786	117
58755	117

M

Main and Redundant Coil	
502423A	113
Male Pin Terminal	
00116	131
00127	131
00129	131
Male Tab Terminal	
00139	133
Manual Reset Thermostat	
M411941	89
MDC Overlay	
511429	17
511431	17
511486	17
513036	17
MDC Security Cabinet Wire Harness	
511348P	149
Mechanical Counter Kit Assembly	
201280P	25
Meter Case and Funnel Kit	
524P3L	23
524P3Q	23
524P3W	23
Meter Case Assembly	
38724L	37
38724Q	37
38724W	27, 37
802505Q	37
802505W	37
803051W	27
Meter Case Bracket Gasket	
35526	23, 25, 27, 37

Meter Case Gasket	
26354	23, 25, 27, 37
Meter Case Kit	
201010LP	25
201010QP	25, 27
201010WP	25, 27
Meter Case Lockdown Bracket	
35525	23, 25, 27, 37
Meter Case Locking Bracket	
30642	23, 25, 27, 37, 39
Motor and Pulley Assembly	
505843P	85
505869P	85
511629P	85
Motor Hub Ring Kit	
590P3	85
Motor Mount	
510060	87
Motor Mount Clamp	
510180	85
Motor Pulley	
500011	85
500222	85
Motor Shield	
514602	87
Mounting Tool Kit	
CK096	35, 53
Multiplier Assembly	
38571	37, 55

N

Nameplate Overlay	
803322	55
Nut	
201216	35, 53
24205	7, 11, 13, 45, 63
27222	41
28447	103
29786	9, 13, 21, 23, 25, 27, 33, 37, 39, 51, 53
29796	23, 25, 27, 45, 67
30647	23, 25, 27, 37, 39
36020	61, 67
44071201	73
44087201	61
52566	15, 17, 39, 87
52947	7, 11, 13, 45, 63
56156	87, 101
80077	45, 55
802337	27
N.G. Conversion Kit	
459P3	113, 121
N.G. Orifice	
503776	119
503778	119
503779	119
503780	119
503781	119
510517	119

N/A items do not appear in index.

O

Opto Coupler 200674P	33
Outlet Cover 500820	107, 109, 111
Overlay	
201091	37, 55
512487	11
512491	11
512492	11
513546	17, 19, 49

P

Panel Locator 56079	81, 83, 123
Pinched Fingers Label F8211301	99
Plug	
23040	131
54522	133
Plug, 1 Circuit 26302	133
Plug, 2 Circuit	
56266	131
56448	131
Plug, 6 Circuit 23041	133
Plug, 9 Circuit 23033	133
Pop Rivet 685847	61, 65
Porcelain Touch-Up Paint	
122P4P	123
215P4P	123
370P4P	123
Power Cord Assembly 506081	127
Power Supply 512496	39, 59
Programming Card 512499P	39, 59
Push-to-Start Switch Boot 512870P	11

R

Ratchet Extension Tool 310P4	135
Ratchet Wheel 53239	69
Rear Bulkhead 512698	101
Rear Bulkhead Assembly	
505246	101
511082P	101
Rear Control Cabinet 801058	65
Rear Panel 511254	11, 19

804884	11
Rear Shield 514335	123
Receptacle Housing 90789	133
Receptacle, 1 Circuit 26301	133
Receptacle, 10 Circuit 34596	133
Receptacle, 12 Circuit 501333	133
56855	133
Receptacle, 2 Circuit	
56265	131
56451	131
Receptacle, 3 Circuit	
23039	131
36170	131
Receptacle, 6 Circuit 26708	133
Receptacle, 9 Circuit 26163	133
Relay 502501	41
Relay Harness 514918	107
Relay to Heater Harness 511114P	107
Resistor 210100	13, 17, 19, 41, 47, 65
Retaining Ring 23748	87, 101
Right Control Cabinet Side	
800915B	65
800915L	65
800915Q	65
800915W	65
Ring Terminal	
00110	133
00111	133
00319	133
Rivet 514375	123
Rocker Switch 70455101	11
Roller Kit RB170002	101
Rubber Foot 501855	123

S

Screw	
M405188	55, 57, 63, 83, 93, 123
02916	9, 13, 15, 17, 19, 21, 39
03203	23, 25, 45
20530	129
23008	61, 65, 67
23222	107, 109, 121
23962	39
27328	11, 21, 29, 63
28448	103
31260	87

N/A items do not appear in index.

33562	45, 81
35528	7, 11, 13, 15, 17, 19
36048	25, 27, 37, 67
39733	81, 83, 123
500226	71, 73, 75
500227	93
500824	87
501086	9, 11, 13, 15, 17, 19, 21, 25, 93
501285	93, 95, 103, 105
501524	15, 17, 27, 49
502431	23, 45, 55, 57, 59
502535	89, 113
503661	13, 17, 19, 41, 105
503673	23, 25, 27, 37, 39
503688	17, 19, 25, 27, 39, 41, 43, 45, 47, 55, 57, 59, 63, 65, 67, 83, 87, 93, 95, 101, 103, 107, 109, 111, 113, 115, 121, 123
505870	75
511419	25
512504	39
512631	71, 73, 77
512921	83, 123
513071	129
514461	71, 73, 75, 77, 79, 93, 95
51778	21, 39
51782	29, 111, 113, 121
52864	7, 11, 13, 15, 17, 19, 95
56124	113, 115
61199	103
62588	93, 97
62853	81
800930	65
Screw Orifice 58719	119
Seal Kit RB170001	93, 97, 101
Secondary Coil 58804B 59063B	115 115
Security Cabinet Front Assembly 505542W 505699WP 511209L 511209Q 511209WP 511523L 511523Q 511523W 511633B 511633LP 511633QP 511633WP 512708 512718	59 59 57 57 57 45 45 45 55 55 55 55 55 55 57
Security Cabinet Harness 511823P	137, 141
Security Cabinet Wrapper Assembly 512706	55, 57
Security Cabinetl Harness 513813	141
Security Case Assembly 38145L	39
Security Kit 905P3	17, 19
Sensor 510213	121
Service Door Assembly 39874LP 39874QP 39874WP	23, 25, 37, 39 23, 25, 27, 37, 39 23, 25, 27, 37, 39
Shaft 56461P	87, 101
Shield 56751	45
Single Drop Overlay 803476	55
Single Overlay 38717 512821	37 55
Slide Extension Kit 553P3	23
Slide Extension Modifier 501796	23, 25
Spade Terminal 00245	133
Speed Clip 28835	83
Spring 804794	31
Stainless Steel Top 511631P 512967	61, 65 61, 65
Strain Relief 38384 502500 52113 60298	129 129 129 129
Strain Relief Adapter 502496	129
Switch 201952 431159 512973	29 31 37, 47, 55, 83
Switch Assembly 55882	7, 13, 45, 63
Switch Knob 39897	7, 11, 13, 45, 63
Switch Mount Assembly 201917P	29
<hr/>	
T	
Temperature Selector Switch 511711	13
Terminal 00252 00347	133 133
Terminal Block Assembly 505876 510190P	105 103
Terminal Block Shield 505768 510237 514330	103, 105 103 103
Terminal Block Support Bracket 505875	105
Terminal Extractor Tool 283P4	135

N/A items do not appear in index.

Thermal Fuse Assembly	
511412	107, 109
Thermistor	
M414704	91
Thermistor Assembly	
502366	91
510523	91
Thermostat	
504515	89
504517	89
510703	111
511887	89
512005	89
Thermostat Shield	
514325	87
Timer	
501627P	69
501757P	69
510524P	11, 21
510525P	11, 21, 63
511985P	11
Timer Assembly	
501754P	69
Timer Bracket	
503017	45
Timer Case Assembly	
37733W	21, 39
Timer Knob	
54678	11, 21, 63
Timer Motor	
512017P	69
Timer Plate	
39481W	39
Timer Plate Assembly	
500921W	21
502797W	21
Timing Cam	
53240	69
53241	69
53242	69
53243	69
Top and Bracket Assembly	
513224	63
Top and Gusset Assembly	
802247QP	61, 65, 67
802247WP	61, 65, 67
Top Hinge	
510136	123
Top Kit	
510032LP	61, 65, 67
511527LP	43
511527QP	43
511527WP	43
511528LP	43
511528QP	43
511528WP	43
803144P	61
Top Mounting Bracket	
504228	61, 65
Top Panel	
502670Q	43
Top Panel Kit	
511530LP	43
511530WP	43

Torx Bit	
281P4	135
282P4	135
292P4	135
Torx Drive Tool	
93501	135
Transformer	
M412477P	41
M413100P	41
201375P	17, 19, 35, 47, 53
201587P	13, 41
201616P	13, 41
210018P	17, 19, 47
803527P	17, 19, 41, 47, 65
Transformer Kit	
511658P	41, 125

V

Valve Assembly	
60443P	115
Venting Instruction Label	
502791	123

W

Warning Label	
500049	99
500314	93, 99
500316	41
512263	83
514226	83
Warning/Caution Label	
500281	83
Washer	
M400017	9, 13, 15, 17, 21, 39
02431	39
03815	29
200608	17, 19
21734	21, 39
23225	39
25820	45, 63
28449	103
29260	71, 73, 77
30627	39
504082	101
52549	87, 101
91176	7, 11, 13, 45, 63
Window Clip	
513958	73
Window Trim	
503981W	75
512632	71, 73
512633	75
514258	73
Wire Accumulator Assembly	
511589	25
Wire Assembly	
510527	109
510528	109
Wire Clip	
504034	131
687500	131

N/A items do not appear in index.

Wire Configuration Assembly	
512273P.....	153, 155, 157, 159, 169, 171
512275P.....	153, 155, 157, 159, 169, 171
Wire Guard	
201595P.....	33, 51
Wire Harness Assembly	
510400P.....	165
510401P.....	165
510404P.....	165
510405P.....	165
510407P.....	165
510430P.....	165
510431P.....	165
510458.....	165
510462.....	165
510467.....	165
510485P.....	165, 167
510486.....	165, 167
510487P.....	151
510488P.....	139, 143, 151
511303.....	125
511315.....	165
511316.....	139, 143, 151
511326.....	165
511328.....	165
511334.....	165
511337.....	165
511339P.....	165
511755.....	139, 143
511759P.....	165, 167
511825.....	137, 141
512140.....	161, 163
512281.....	161, 169
512283.....	161
512287.....	153
512291.....	153
512422P.....	153, 155, 157, 159, 169, 171
512511P.....	161
512512.....	161
512513P.....	161
512515P.....	161
512518P.....	161
512646P.....	161
512728P.....	139, 145
512729.....	139
512731P.....	139, 143
512960P.....	153
512962.....	153
513270P.....	153
513366.....	153
513529.....	139, 143
513670.....	163
513672.....	163
513675.....	163
513677.....	163
513679.....	163
513809.....	143
513812.....	143, 147
513816.....	155
513818.....	155
513820.....	155
513839.....	155
513840.....	155
513843.....	155
Wire, 12 Gauge	
45380 ...	137, 139, 141, 143, 145, 147, 149, 151, 153, 155, 157, 159, 161, 163, 165, 167, 169, 171

Wire, 18 Gauge	
45001 ...	137, 139, 141, 143, 145, 147, 149, 151, 153, 155, 157, 159, 161, 163, 165, 167, 169, 171
Wrapper and Channel Assembly	
505753BP.....	55
505753QP.....	45, 55, 57, 59
505753WP.....	45, 55, 57, 59

N/A items do not appear in index.