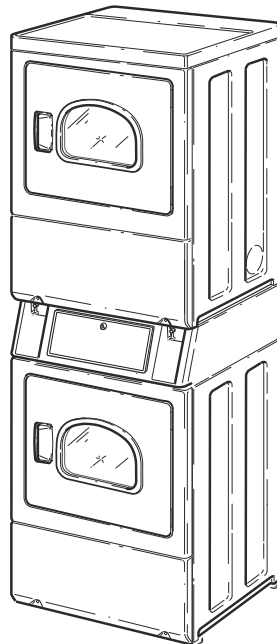


Commercial Dryers

Metered and Nonmetered
Refer to Page 3 for Model Numbers



DRY727C_515155

Table of Contents

Title	Page
Parts Ordering Information.....	2
Serial Plate Location	2
Model Identification	3
Control Panel and Controls - Nonmetered.....	4
Control and Control Panel - Coin Slide Models	6
Control Panel and Controls - Coin Drop and Card Models	8
Non-Electronic Coin Drop - Coin Drop Models	10
Electronic Coin Drop - Coin Drop Models	12
Control Cabinet Controls - Coin Drop Models.....	14
Integrated Card Reader Installed and Ready - All Integrated Card Reader Models.....	16
Loading Door without Window	18
Loading Door with Window	20
Access Panel, Front Panel and Seal	22
Front Panel Assembly.....	24
Motor, Exhaust Fan and Belt	26
Thermostat and Thermistor.....	28
Front Bulkhead, Air Duct, Felt Seal and Cylinder	30
Rear Bulkhead, Felt Seal, Cylinder Roller and Terminal Block.....	32
Heater Duct and Element Assembly - Electric Models.....	34
Heater Duct Assembly - Gas Models.....	36
Gas Valve, Igniter and Gas Conversion Kits.....	38
Cabinet and Exhaust Duct	40
Base.....	42
Cabinet Top	44
Power Cord.....	46
Terminal Block and Terminals	48
Terminals	50
Terminals and Terminal Extractor Tools	52
Wire Harnesses and Wires - Nonmetered and Coin Slide Models	54
Wire Harnesses and Wires	56
Wire Harnesses and Wires - Coin Drop, Card Reader and OPL Models (Drawing 1 of 2).....	58
Wire Harnesses and Wires - Coin Drop, Card Reader and OPL Models (Drawing 2 of 2).....	60
Parts Index.....	63

© Copyright 2015, Alliance Laundry Systems LLC

All rights reserved. No part of the contents of this book may be reproduced or transmitted in any form or by any means without the expressed written consent of the publisher.

Parts Ordering Information

If literature or replacement parts are required, contact the source from whom the machine was purchased or contact Alliance Laundry Systems at (920) 748-3950 for the name and address of the nearest authorized parts distributor.

For technical assistance, call either of the numbers listed below:

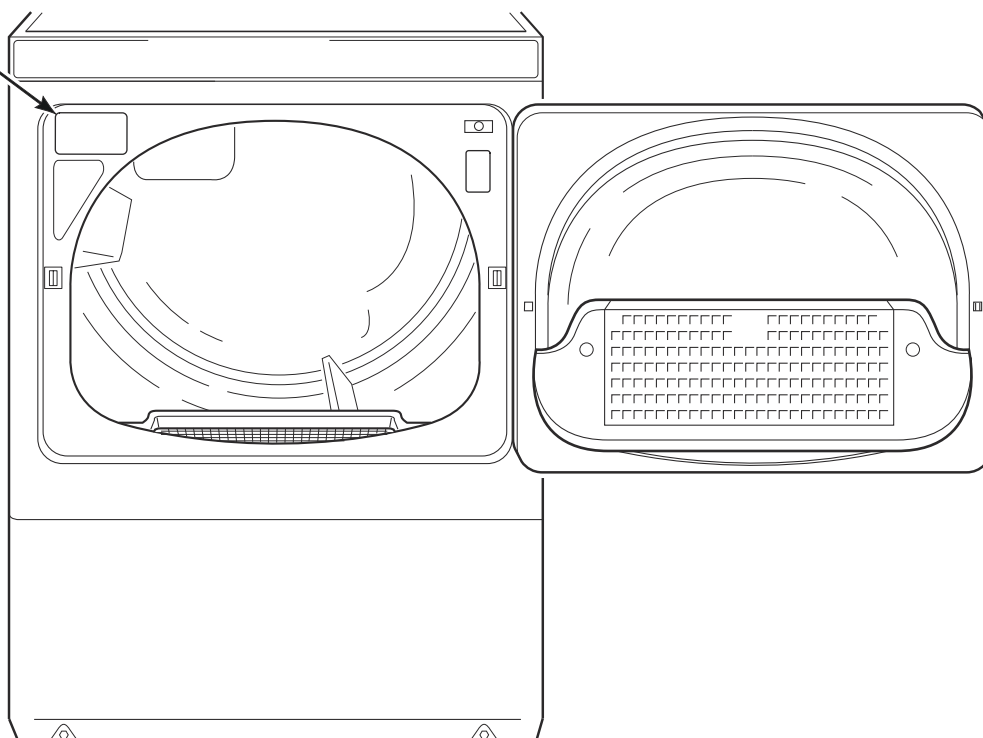
(920) 748-3121 Ripon, Wisconsin

+32 56 41 20 54 Wevelgem, Belgium

Serial Plate Location

When calling or writing about your product, be sure to mention model and serial numbers. Model and serial numbers are located on serial plate(s) as shown.

Serial Plate



DRY2283P_515155

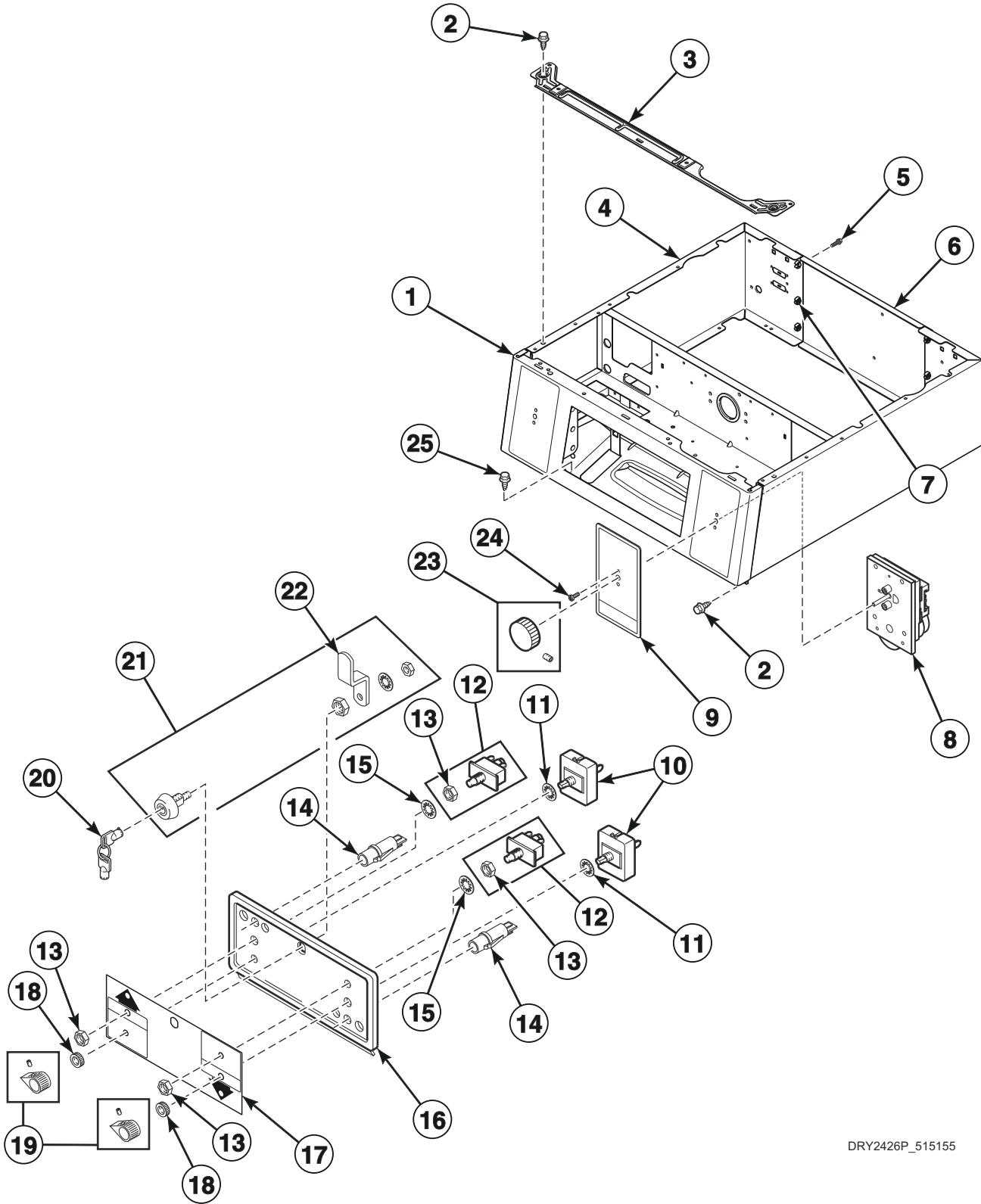
Model Identification

Information in this manual is applicable to these dryer models:

BSGBXAGW303AW01	SSEBXAGS301UQ01
HSEBDAGW291CW01	SSEBXAGS301UW01
HSEBEAGW291CW01	SSEBXAGW131DW01
HSEBXAGW131DW01	SSEBXAGW541DW01
HSEBXAGW171FW28	SSEMNAGS301NW01
HSEBXAGW541DW01	SSEMNAGS301UW01
HSEBYAGW281CW01	SSEMNAGS431AW01
HSEBYAGW291CW01	SSESXAGS301UW01
HSGBDAGW091CW01	SSESXAGW301NQ01
HSGBEAGW091CW01	SSESXAGW301NW01
HSGBXAGW091CW01	SSESXAGW431AW01
HSGBYAGW091CW01	SSGBXAGS301EW01
HSGSXAGW091CW01	SSGBXAGW301AW01
NSEBXAGW301NW22	SSGSXAGS301EW01
NSESXAGW301NW22	SSGSXAGW301AW01
NSGBXAGW301NW22	SSGSXAGW301BW01
NSGSXAGW301NW22	TSEBXAGW301NW22

Control Panel and Controls - Nonmetered

Models SSEMNAGS301NW01, SSEMNAGS301UW01 and SSEMNAGS431AW01



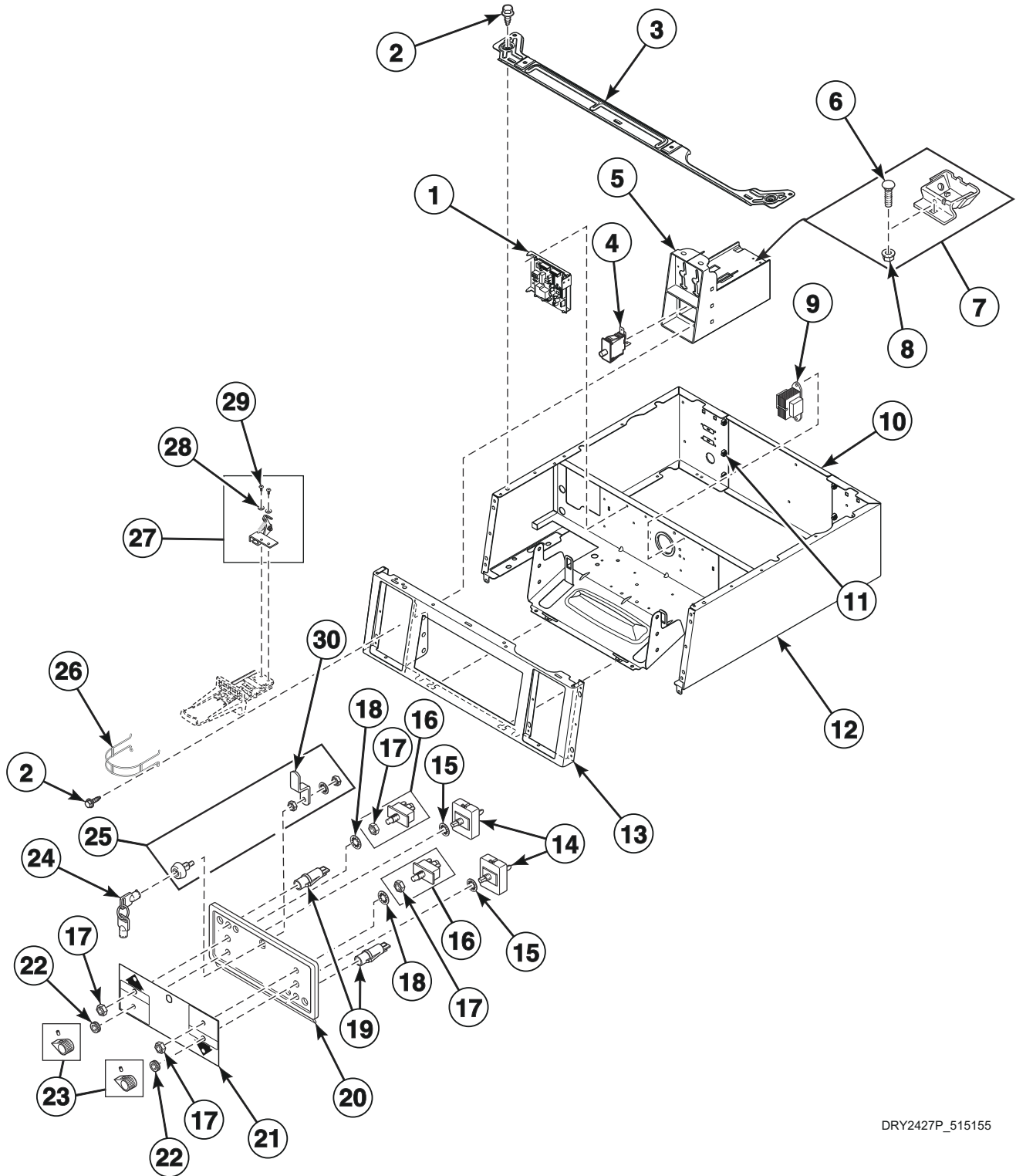
DRY2426P_515155

Control Panel and Controls - Nonmetered

REF	PART NO.	DESCRIPTION	COMMENTS
1	514711W	Control Panel	White
2	503688	Screw	
3	804018	Shield Bracket	
4	804112W	Wrapper Assembly	White
5	70240301	Screw	6 required
6	803998	Rear Access Panel	
7	70030501	Expansion Clip	6 required
8	510525P	Timer	
9	514710	Timer Overlay	
10	61512	Fabric Selector Switch	
11	91176	Washer	
12	55882	Switch Assembly	Includes item 13
13	52947	Nut	
14	32464	Light	120 Volt
	32519	Light	240 Volt
15	25820	Washer	
16	500228W	Control Panel and Bracket Assembly	White
17	514371	Overlay	
18	24205	Nut	
19	39897	Switch Knob	
20	54612	Key	800
21	27260P	Lock Kit	Includes item 22
22	804338	Lock Cam	
23	54678	Timer Knob	
24	27328	Screw	
25	502431	Screw	

Control and Control Panel - Coin Slide Models

Models HSGSXAGW091CW01, NSESXAGW301NW22, NSGSXAGW301NW22, SSESXAGS301UW01, SSESXAGW301NQ01, SSESXAGW301NW01, SSESXAGW431AW01, SSGSXAGS301EW01, SSGSXAGW301AW01 and SSGSXAGW301BW01



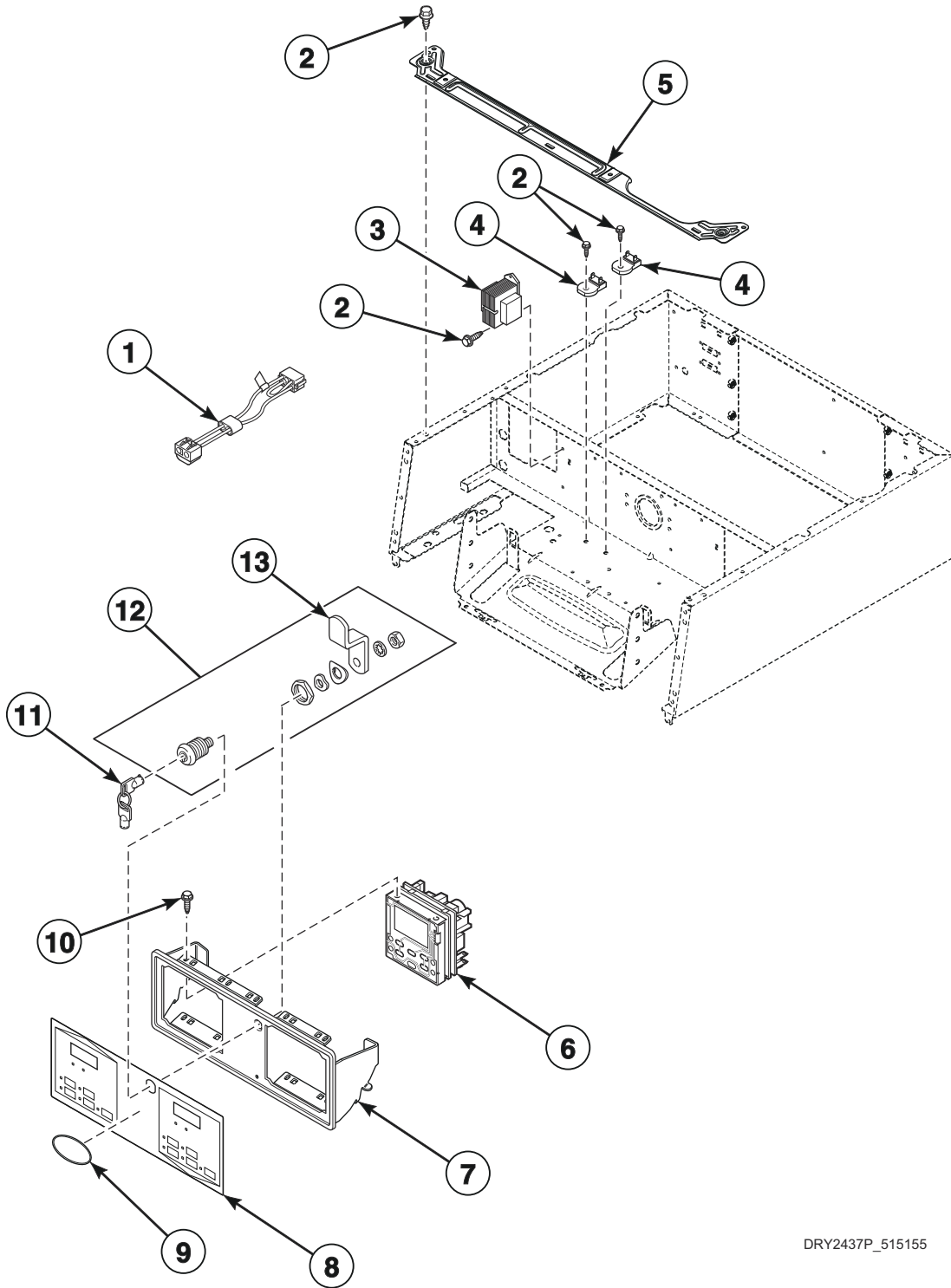
DRY2427P_515155

Control and Control Panel - Coin Slide Models

REF	PART NO.	DESCRIPTION	COMMENTS
	70240301	Screw	6 required; Use with item 11
	29651	Bolt	4 required; Use to attach item 13 to item 12
	44087201	Nut	4 required; Use to attach item 13 to item 12
1	513139P	Control Assembly	
2	503688	Screw	
3	804018	Shield Bracket	
4	512973	Switch	
5	804011W	Meter Case Assembly	White
	804011Q	Meter Case Assembly	Bisque
6	29651	Bolt	
7	523P3	Coin Funnel Kit	Includes items 6 and 8
8	29796	Nut	
9	201587P	Transformer	Model HSGSXAGW091CW01
	201616P	Transformer	All other models
10	803998	Rear Access Panel	
11	70030501	Expansion Clip	6 required
12	804104W	Wrapper Assembly	White
	804104Q	Security Channel Assembly	Bisque
13	514724W	Control Panel	White
	514724Q	Control Panel	Bisque
14	511711	Temperature Selector Switch	
15	91176	Washer	
16	55882	Switch Assembly	Includes item 17
17	52947	Nut	
18	25820	Washer	
19	801431	Light	
20	500228W	Control Panel and Bracket Assembly	White
	500228Q	Control Panel and Bracket Assembly	Bisque
21	514667	Overlay	Model HSGSXAGW091CW01
	514671	Control Overlay	Models NSESXAGW301NW22 and NSGSXAGW301NW22
	514371	Overlay	All other models
22	24205	Nut	
23	39897	Switch Knob	
24	54612	Key	800
25	27260P	Lock Kit	Includes item 30
26	514726	Coin Slide Guard	
27	201915	Slide Extension Kit	Includes items 28 and 29
28	03815	Washer	
29	27328	Screw	
30	804338	Lock Cam	

Control Panel and Controls - Coin Drop and Card Models

Models BSGBXAGW303AW01, HSEBDAGW291CW01, HSEBEAGW291CW01, HSEBXAGW131DW01, HSEBXAGW171FW28, HSEBXAGW541DW01, HSEBYAGW281CW01, HSEBYAGW291CW01, HSGBDAGW091CW01, HSGBEAGW091CW01, HSGBXAGW091CW01, HSGBYAGW091CW01, NSEBXAGW301NW22, NSGBXAGW301NW22, SSEBXAGS301UQ01, SSEBXAGS301UW01, SSEBXAGW131DW01, SSEBXAGW541DW01, SSGBXAGS301EW01, SSGBXAGW301AW01 and TSEBXAGW301NW22



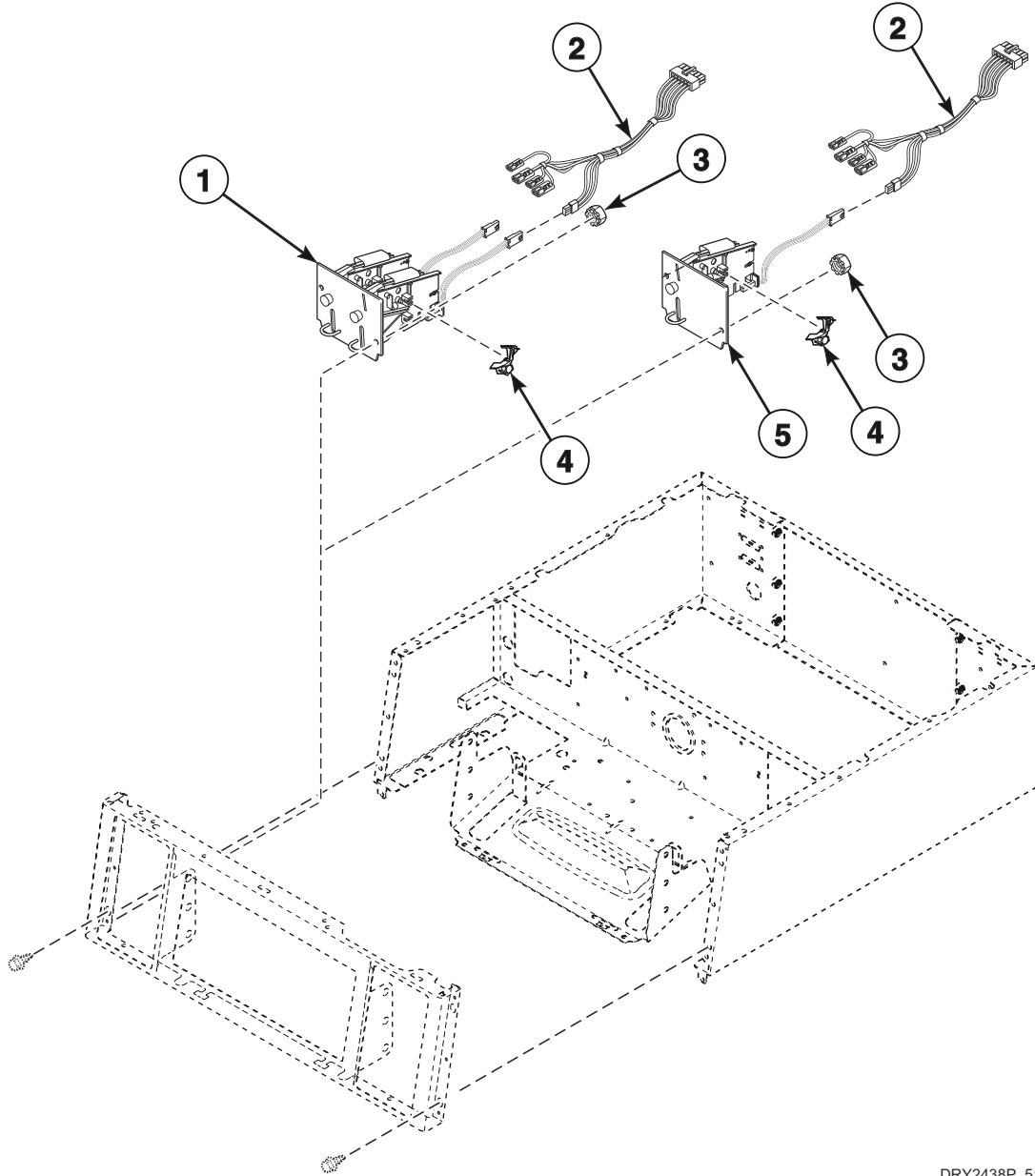
DRY2437P_515155

Control Panel and Controls - Coin Drop and Card Models

REF	PART NO.	DESCRIPTION	COMMENTS
	513820	Wire Harness Assembly	Models BSGBXAGW303AW01, NSGBXAGW301NW22 and SSGBXAGW301AW01
1	M413507	Jumper Configuration Assembly	Models BSGBXAGW303AW01, HSEBXAGW541DW01, NSEBXAGW301NW22, NSGBXAGW301NW22, SSEBXAGS301UQ01, SSEBXAGS301UW01, SSEBXAGW541DW01, SSGBXAGS301EW01, SSGBXAGW301AW01 and TSEBXAGW301NW22
2	503688	Screw	
3	210018P	Transformer	Models HSEBDAGW291CW01 and HSGBDAGW091CW01
	201375P	Transformer	Some models may have jumper wire attached to transformer. Discard jumper wire when replacing transformer; Models HSEBEAGW291CW01, HSEBXAGW131DW01, HSEBXAGW171FW28, HSEBYAGW281CW01, HSEBYAGW291CW01, HSGBEAGW091CW01, HSGBXAGW091CW01, HSGBYAGW091CW01 and SSEBXAGW131DW01
	803527P	Transformer	All other models
4	210100	Resistor	
5	804018	Shield Bracket	
6	514273	Control Assembly	Model BSGBXAGW303AW01
	511867P	Control Assembly	All other models
7	513778Q	Control Panel and Bracket Assembly	Bisque; Model SSEBXAGS301UQ01
	513778W	Control Panel and Bracket Assembly	White; All other models
8	514672	Overlay	Models NSEBXAGW301NW22, NSGBXAGW301NW22 and TSEBXAGW301NW22
	514665	Overlay	Models SSEBXAGW131DW01, SSEBXAGW541DW01 and SSGBXAGW301AW01
	514666	Graphic Overlay	Models SSEBXAGS301UQ01, SSEBXAGS301UW01 and SSGBXAGS301EW01
	515058	Control Overlay	Model BSGBXAGW303AW01
	514668	Control Overlay	All other models
9	805914	Label	Model TSEBXAGW301NW22
10	501524	Screw	
11	54612	Key	800
12	27260P	Lock Kit	Includes item 13
13	804338	Lock Cam	

Non-Electronic Coin Drop - Coin Drop Models

Models BSGBXAGW303AW01, HSEBDAGW291CW01, HSEBEAGW291CW01, HSEBXAGW131DW01, HSEBXAGW171FW28, HSEBXAGW541DW01, HSGBDAGW091CW01, HSGBEAGW091CW01, HSGBXAGW091CW01, NSEBXAGW301NW22, NSGBXAGW301NW22, SSEBXAGS301UQ01, SSEBXAGS301UW01, SSEBXAGW131DW01, SSEBXAGW541DW01, SSGBXAGS301EW01, SSGBXAGW301AW01 and TSEBXAGW301NW22



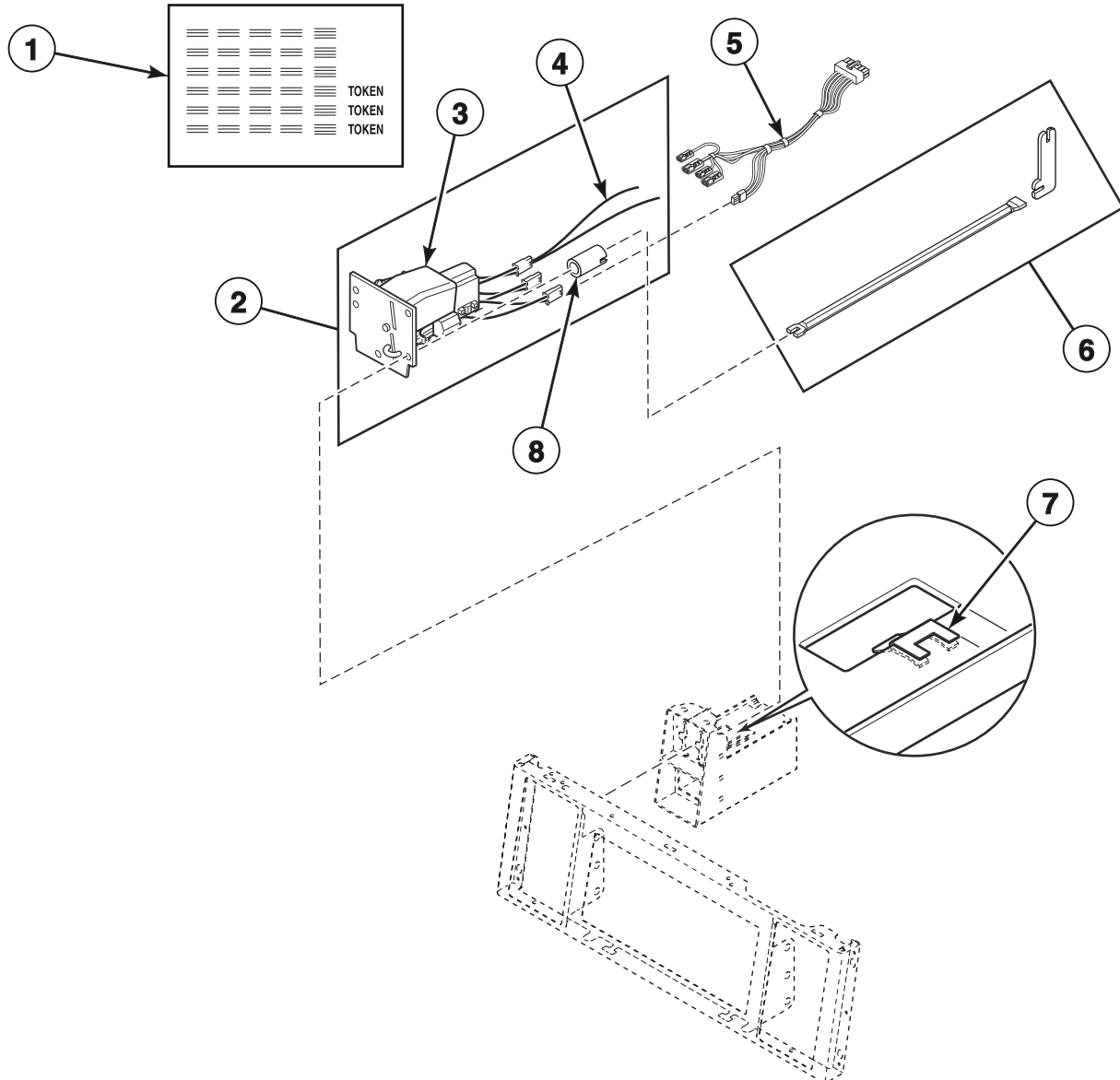
DRY2438P_515155

Non-Electronic Coin Drop - Coin Drop Models

REF	PART NO.	DESCRIPTION	COMMENTS
1	70441602	Coin Drop Assembly	Canada; .25 and 1.00
	38467	Coin Drop Assembly	Australia; .20 and 1.00
	38472	Coin Drop Assembly	England; 20p and 1 pound
	38519	Coin Drop Assembly	Japan; 100 yen and 500 yen
	38521	Coin Drop Assembly	Korea; 100 won and 500 won
	39157	Coin Drop Assembly	Israel; 1 shekel and 5 shekel
2	802905	Harness Assembly	Dual coin
3	29786	Nut	
4	201595P	Wire Guard	Anti-stringing security device
5	38462P	Coin Drop Assembly	Token; 118-1 mzp; .880 diameter x .079 thick; Brass
	38463	Coin Drop Assembly	Token; 118-5 mzp; .990 diameter x .081 thick; Silver
	38464P	Coin Drop Assembly	Canada; .25
	38475	Coin Drop Assembly	Japan; 100 yen
	CK077	Coin Drop Kit	Taiwan; 10 NT
	70441601P	Coin Drop	United States; \$.25
	38963P	Coin Drop	Token 118-16 not available; Replacement for 38963P Coin Drop only
	CK114	Coin Drop Assembly	Singapore; Old 1.00
	CK123	Coin Drop Assembly	Singapore; New 1.00
	70482401	Coin Drop Assembly	Dual; New Zealand; 1.00 and 2.00

Electronic Coin Drop - Coin Drop Models

Models BSGBXAGW303AW01, HSEBDAGW291CW01, HSEBEAGW291CW01, HSEBXAGW131DW01, HSEBXAGW171FW28, HSEBXAGW541DW01, HSGBDAGW091CW01, HSGBEAGW091CW01, HSGBXAGW091CW01, NSEBXAGW301NW22, NSGBXAGW301NW22, SSEBXAGS301UQ01, SSEBXAGS301UW01, SSEBXAGW131DW01, SSEBXAGW541DW01, SSGBXAGS301EW01, SSGBXAGW301AW01 and TSEBXAGW301NW22



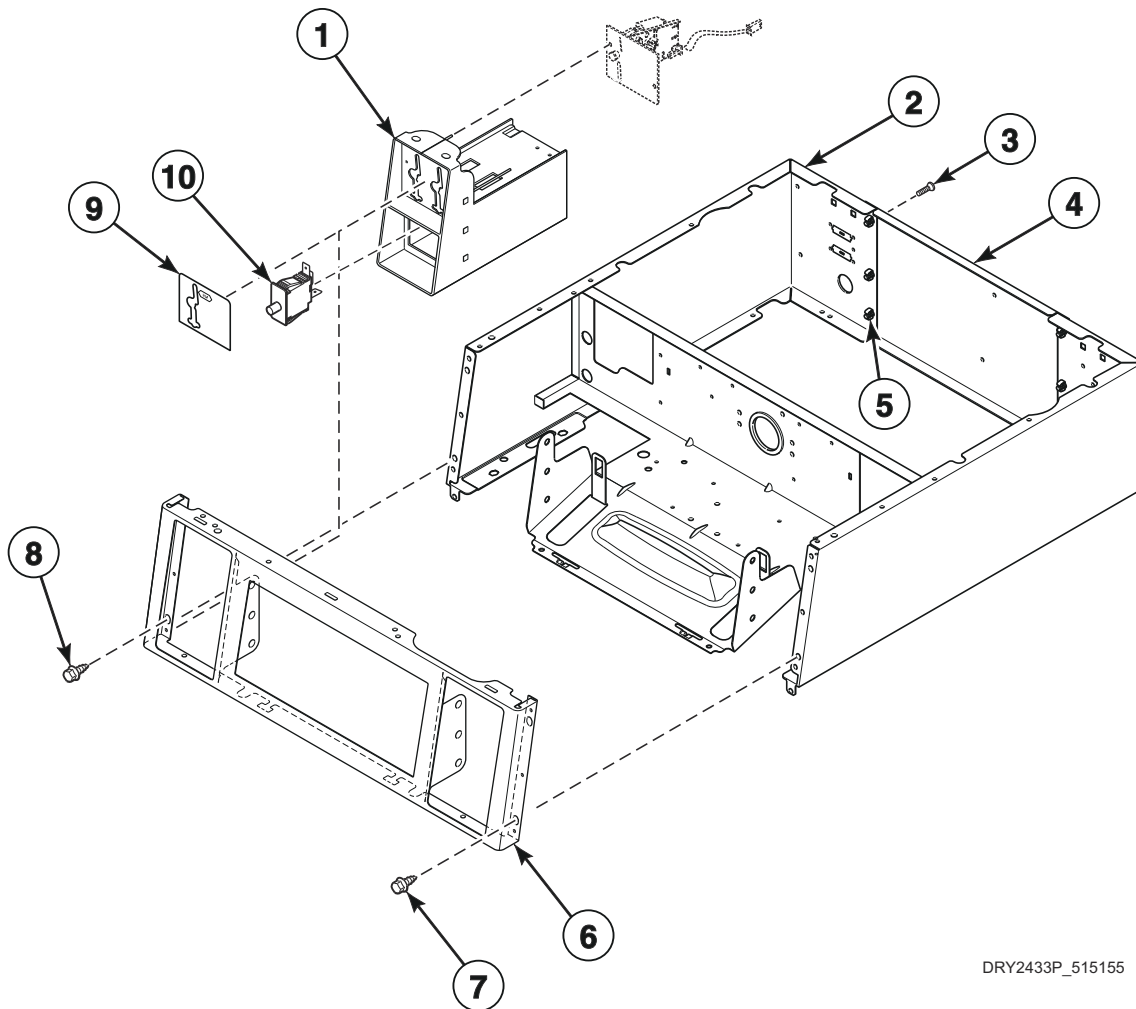
DRY2435P_515155

Electronic Coin Drop - Coin Drop Models

REF	PART NO.	DESCRIPTION	COMMENTS
1	38725	Coin Identification Paper	
2	CK099	Electronic Coin Drop Kit	Australia, New Zealand, Hong Kong and South Korea; Includes items 1, 3-5, 7 and 8
	CK100	Electronic Coin Drop Kit	Euro and Great Britain; Includes items 1, 3-5, 7 and 8
	CK101	Electronic Coin Drop Kit	Euro, Denmark and Norway; Includes items 1, 3-5, 7 and 8
	CK103	Electronic Coin Drop Kit	Euro, Lithuania and Latvia; Includes items 1, 3-5, 7 and 8
	CK106	Electronic Coin Drop Kit	Malaysia, China and Russia; Includes items 1, 3-5, 7 and 8
	CK108	Electronic Coin Drop Kit	South Africa; Includes items 1, 3-5, 7 and 8
	CK109	Electronic Coin Drop Kit	Euro; Includes items 1, 3-5, 7 and 8
	CK110	Electronic Coin Drop Kit	Mexico, Ecuador and United States; Includes items 1, 3-5, 7 and 8
	CK113	Electronic Coin Drop Kit	Japan and Taiwan; Includes items 1, 3-5, 7 and 8
	CK115	Electronic Coin Drop Kit	United States and Canada; Includes items 1, 3-5, 7 and 8
	CK120	Electronic Coin Drop Kit	Chile; Includes items 1-3 and 5-7
	CK121	Electronic Coin Drop Kit	Singapore; Includes items 1-3 and 5-7
3	70294105P	Electronic Coin Drop Assembly	Australia, New Zealand, Hong Kong and South Korea
	70294103P	Electronic Coin Drop Assembly	Euro and Great Britain
	70294104	Electronic Coin Drop Assembly	Euro, Denmark and Norway
	70294107	Electronic Coin Drop Assembly	Euro, Lithuania and Latvia
	70294109	Electronic Coin Drop Assembly	Malaysia, China and Russia
	70294110	Electronic Coin Drop Assembly	South Africa
	70294111	Electronic Coin Drop Assembly	Euro
	70294106	Electronic Coin Drop Assembly	Mexico, Ecuador and United States
	70294112	Electronic Coin Drop Assembly	Euro, Great Britain and token
	70294120	Electronic Coin Drop Assembly	Chile
	70294121	Electronic Coin Drop Assembly	Singapore
4	201104	Coin Drop Wire Harness	For use with items 2 and 3
5	802905	Harness Assembly	Electronic coin drop requires this harness. If unit is not factory-equipped with this harness, it must be ordered separately.
6	CK096	Mounting Tool Kit	For use with items 2 and 3
7	201572	Clip	
8	201216	Nut	

Control Cabinet Controls - Coin Drop Models

Models BSGBXAGW303AW01, HSEBDAGW291CW01, HSEBEAGW291CW01, HSEBXAGW131DW01, HSEBXAGW171FW28, HSEBXAGW541DW01, HSGBDAGW091CW01, HSGBEAGW091CW01, HSGBXAGW091CW01, NSEBXAGW301NW22, NSGBXAGW301NW22, SSEBXAGS301UQ01, SSEBXAGS301UW01, SSEBXAGW131DW01, SSEBXAGW541DW01, SSGBXAGS301EW01, SSGBXAGW301AW01 and TSEBXAGW301NW22



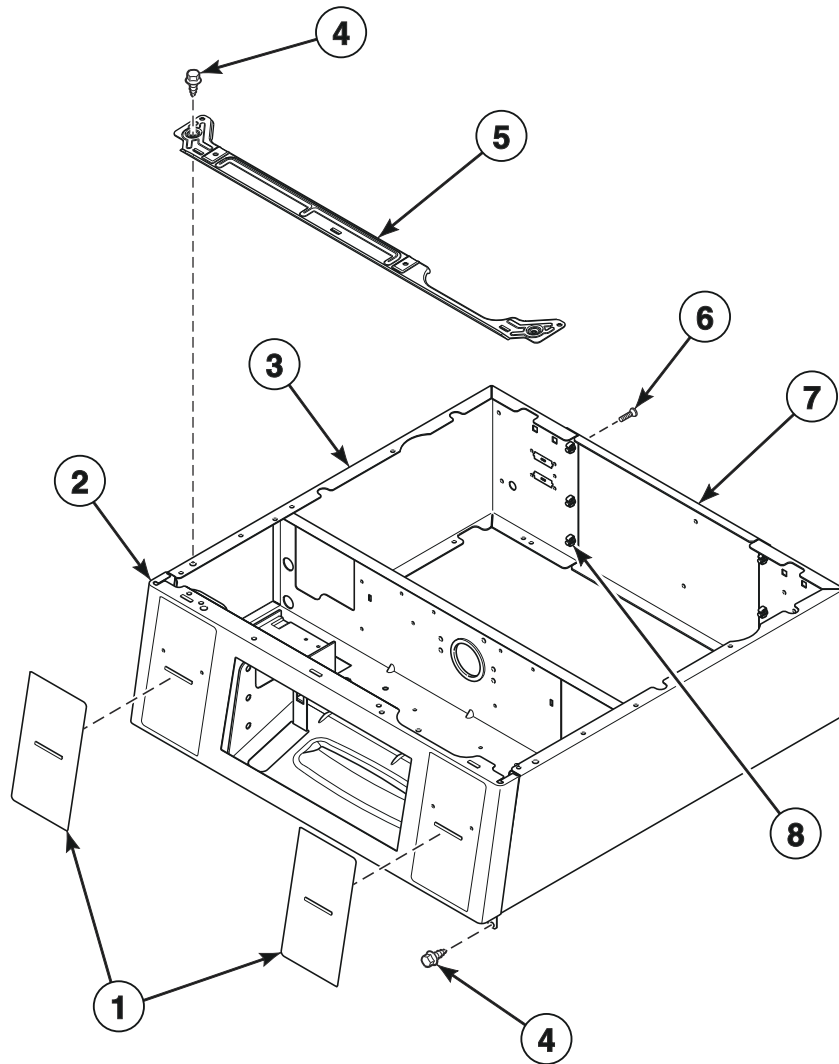
DRY2433P_515155

Control Cabinet Controls - Coin Drop Models

REF	PART NO.	DESCRIPTION	COMMENTS
1	804009W	Meter Case Assembly	White
	804009Q	Meter Case Assembly	Bisque
2	804104W	Wrapper Assembly	White
	804104Q	Security Wrapper Assembly	Bisque
3	70240301	Screw	6 required
4	803998	Rear Access Panel	
5	70030501	Expansion Clip	6 required
6	803964W	Control Panel	White
	803964Q	Control Panel	Bisque
7	503688	Screw	
8	29786	Nut	4 required
9	38717	Single Overlay	For use with non-electronic coin drops
	201091	Overlay	For use with electronic coin drops
	39073	Dual Overlay	
10	512973	Switch	

Integrated Card Reader Installed and Ready - All Integrated Card Reader Models

Models HSEBYAGW281CW01, HSEBYAGW291CW01 and HSGBYAGW091CW01



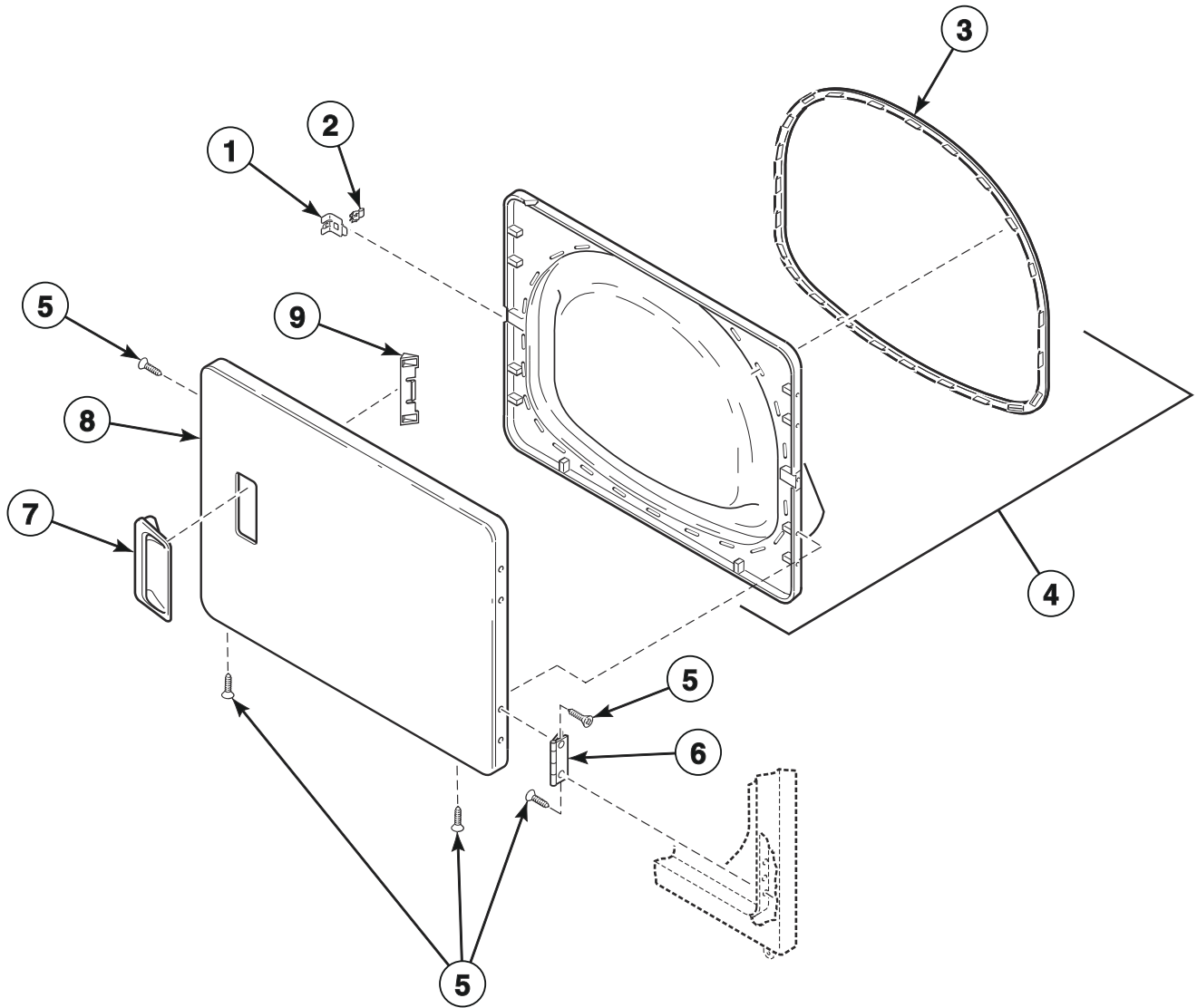
DRY2439P_515155

Integrated Card Reader Installed and Ready - All Integrated Card Reader Models

REF	PART NO.	DESCRIPTION	COMMENTS
1	514873	Overlay	
2	804147W	Security Cabinet Front Assembly	White
3	804112W	Wrapper Assembly	White
4	503688	Screw	
5	804018	Shield Bracket	
6	70240301	Screw	6 required
7	803998	Rear Access Panel	
8	70030501	Expansion Clip	6 required

Loading Door without Window

Models SSEBXAGS301UQ01, SSEBXAGS301UW01, SSEMNAGS301NW01, SSEMNAGS301UW01, SSEMNAGS431AW01, SSESXAGS301UW01, SSGBXAGS301EW01 and SSGSXAGS301EW01



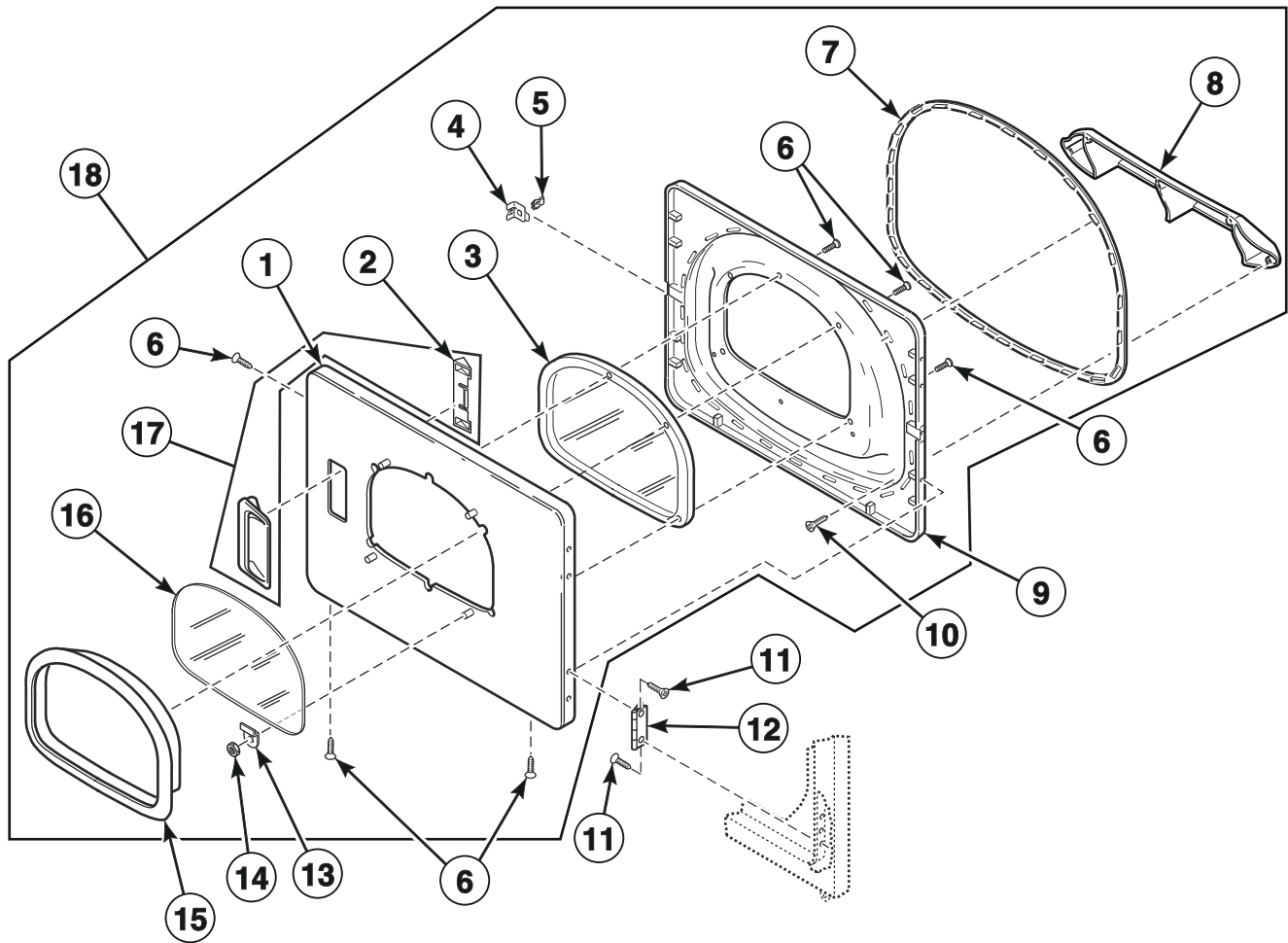
DRY1775P_515155

Loading Door without Window

REF	PART NO.	DESCRIPTION	COMMENTS
1	510127	Door Strike Mount	
2	510181	Door Strike	
3	510147P	Liner Door Seal	
4	510163WP	Liner, Seal and Grill Assembly	Includes item 3
5	505295	Screw	
6	511036	Hinge	
7	510103WP	Door Pull and Wedge Kit	White; Includes item 9
	510103QP	Door Pull and Wedge Kit	Bisque; Includes item 9
8	510013WP	Dryer Door	White
	510013QP	Dryer Door	Bisque
9	510129W	Door Handle Wedge	

Loading Door with Window

All Models Except SSEBXAGS301UQ01, SSEBXAGS301UW01, SSEMNAGS301NW01, SSEMNAGS301UW01, SSEMNAGS431AW01, SSESXAGS301UW01, SSGBXAGS301EW01 and SSGSXAGS301EW01

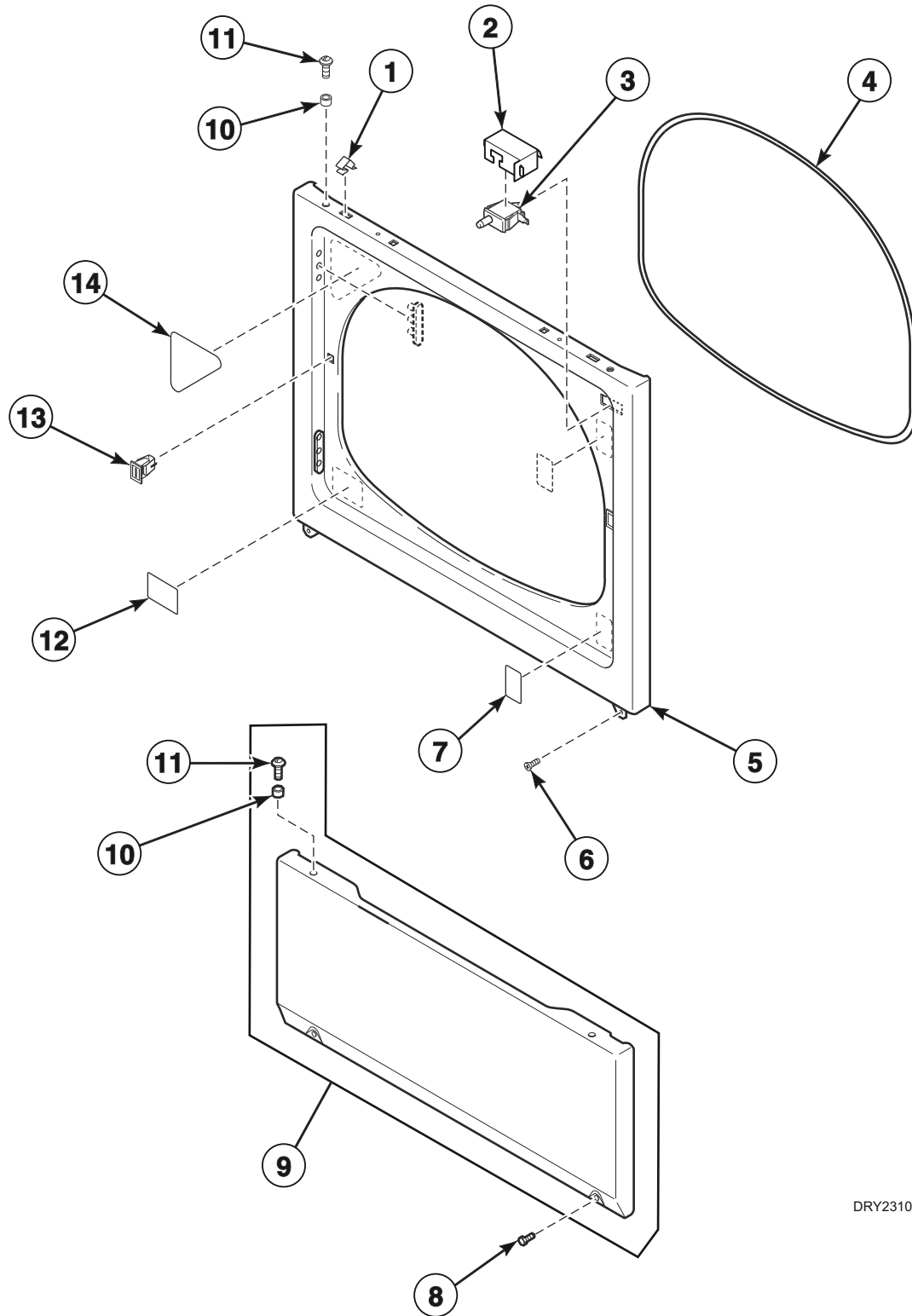


DRY2296P_515155

Loading Door with Window

REF	PART NO.	DESCRIPTION	COMMENTS
1	514114W	Dryer Door Assembly	Models HSEBDAGW291CW01, HSEBEAGW291CW01, HSEBYAGW281CW01 and HSEBYAGW291CW01
	510082QP	Dryer Door	Bisque; Model SSESXAGW301NQ01
	510082WP	Dryer Door	White; All other models
2	510129LG	Door Handle Wedge	Gray
	510129W	Door Handle Wedge	White
3	503982P	Dryer Door Window	
4	510127	Door Strike Mount	
5	510181	Door Strike	
6	500226	Screw	
7	510147P	Liner Door Seal	
8	503870LG	Door Liner Grill	Models HSEBDAGW291CW01, HSEBEAGW291CW01, HSEBYAGW281CW01 and HSEBYAGW291CW01
	503870W	Door Liner Grill	All other models
9	510098LG	Liner and Seal Assembly	Includes item 7; Models HSEBDAGW291CW01, HSEBEAGW291CW01, HSEBYAGW281CW01 and HSEBYAGW291CW01
	510098W	Liner and Seal Assembly	Includes item 7; All other models
10	505870	Screw	
11	505295	Screw	
12	511036	Hinge	
13	513958	Window Clip	Models HSEBDAGW291CW01, HSEBEAGW291CW01, HSEBYAGW281CW01 and HSEBYAGW291CW01
14	44071201	Nut	Models HSEBDAGW291CW01, HSEBEAGW291CW01, HSEBYAGW281CW01 and HSEBYAGW291CW01
15	513960W	Window Trim	Models HSEBDAGW291CW01, HSEBEAGW291CW01, HSEBYAGW281CW01 and HSEBYAGW291CW01
	503981Q	Window Trim	Bisque; Model SSESXAGW301NQ01
	503981W	Window Trim	White; All other models
16	513910	Glass Door Window	Models HSEBDAGW291CW01, HSEBEAGW291CW01, HSEBYAGW281CW01 and HSEBYAGW291CW01
17	510103WP	Door Pull and Wedge Kit	White; Includes item 2
	510103QP	Door Pull and Wedge Kit	Bisque; Includes item 2
18	511636QP	Door and Liner Assembly	Bisque; Includes items 1-10, 13 and 14; Model SSESXAGW301NQ01
	511636WP	Door and Liner Assembly	White; Includes items 1-3, 6, 8-12, 15 and 17; All other models except HSEBDAGW291CW01, HSEBEAGW291CW01, HSEBYAGW281CW01 and HSEBYAGW291CW01

Access Panel, Front Panel and Seal



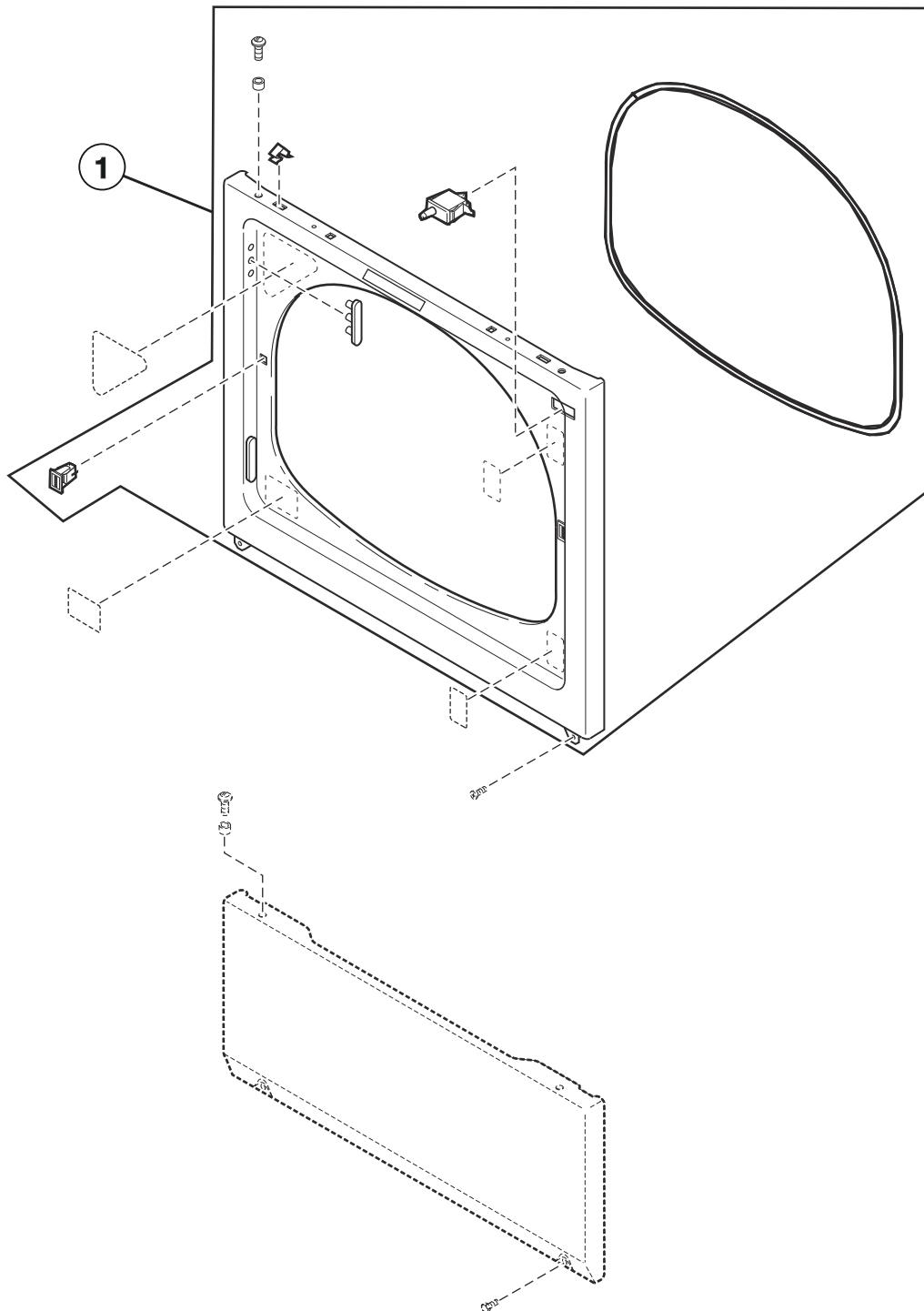
DRY2310P_515155

Access Panel, Front Panel and Seal

REF	PART NO.	DESCRIPTION	COMMENTS
1	28835	Speed Clip	
2	514327	Drip Shield	Models BSGBXAGW303AW01, SSEMNAGS431AW01, SSESXAGW431AW01, SSGBXAGW301AW01, SSGSXAGS301EW01, SSGSXAGW301AW01 and SSGSXAGW301BW01
3	512973	Switch	
4	511056	Front Panel Seal	
5	510066WP	Front Panel	White
	510066QP	Front Panel	Bisque
6	503688	Screw	
7	512263	Warning Label	Models BSGBXAGW303AW01, SSEMNAGS431AW01, SSESXAGW431AW01, SSGBXAGW301AW01 and SSGSXAGW301AW01
8	33562	Screw	Slotted hex head
	62853	Screw	Torx head; Optional for added security
9	514252W	Access Panel and Guard Assembly	Models HSEBDAGW291CW01, HSEBEAGW291CW01, HSEBYAGW281CW01 and HSEBYAGW291CW01
	514250Q	Access Panel Assembly	Bisque; Models SSEBXAGS301UQ01 and SSESXAGW301NQ01
	514250WP	Access Panel Assembly	White; All other models
10	56079	Panel Locator	
11	39733	Screw	
12	502804	Clean Lint Label	Models BSGBXAGW303AW01, SSEMNAGS431AW01, SSESXAGW431AW01, SSGBXAGW301AW01 and SSGSXAGW301AW01
13	510177	Door Catch Assembly	
14	500253	Caution Label	English/French; Models HSEBDAGW291CW01, HSEBEAGW291CW01, HSEBYAGW281CW01, HSEBYAGW291CW01, HSGBDAGW091CW01, HSGBEAGW091CW01, HSGBXAGW091CW01, HSGBYAGW091CW01 and HSGSXAGW091CW01
	502825	Warning Label	Spanish; Model SSGSXAGW301BW01
	514226	Warning Label	Brazilian Portuguese; Models HSEBXAGW131DW01, HSEBXAGW541DW01, SSEBXAGW131DW01 and SSEBXAGW541DW01
	514863	Front Panel Label	Chinese; Model HSEBXAGW171FW28
	500281	Warning/Caution Label	English; All other models

Front Panel Assembly

All Models Except HSEBDAGW291CW01, HSEBEAGW291CW01, HSEBYAGW281CW01, HSEBYAGW291CW01, SSEBXAGS301UQ01, SSEBXAGS301UW01, SSEMNAGS301NW01, SSEMNAGS301UW01, SSEMNAGS431AW01, SSESXAGS301UW01, SSESXAGW301NQ01, SSGBXAGS301EW01 and SSGSXAGS301EW01

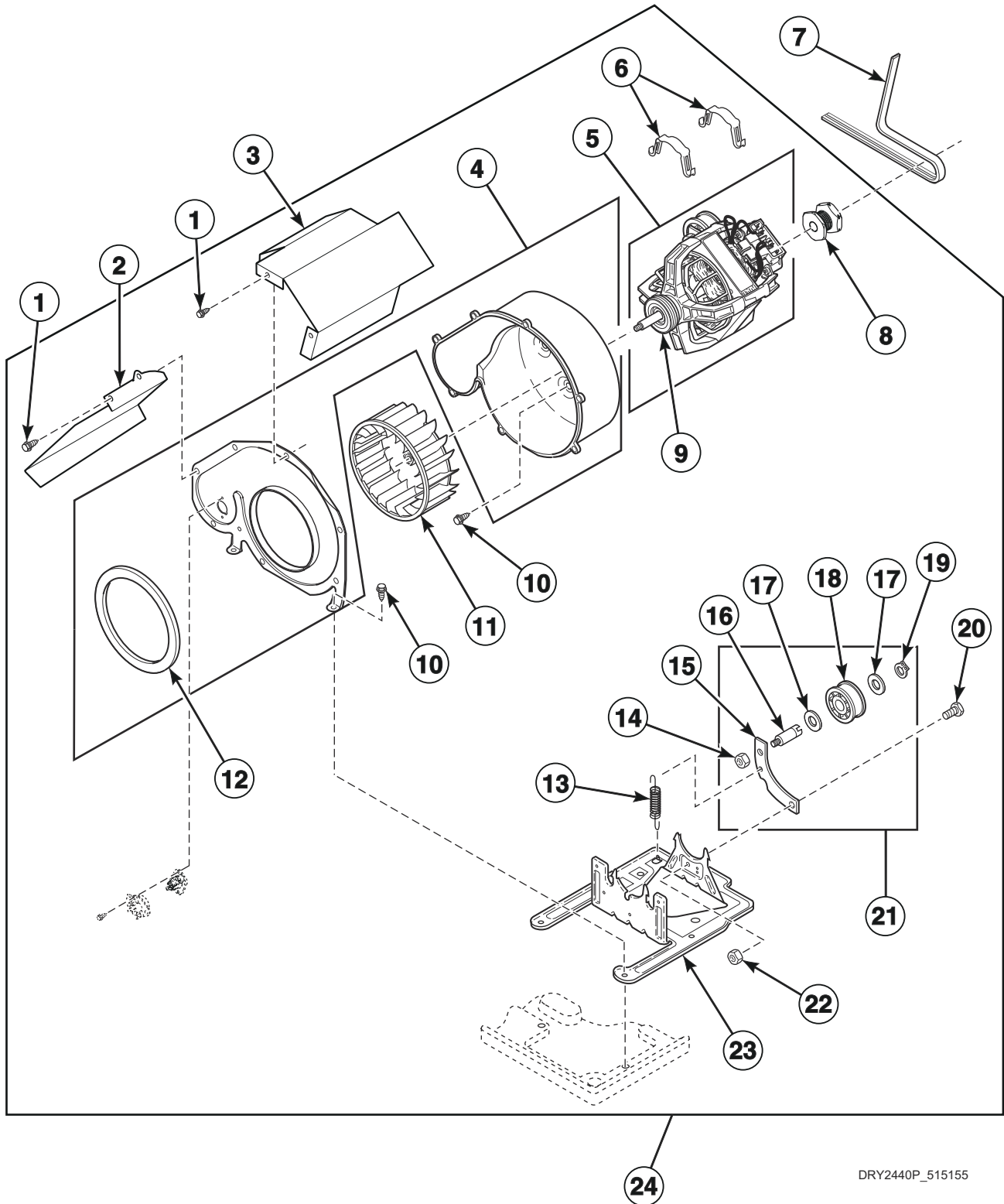


DRY2179P_515155

Front Panel Assembly

REF	PART NO.	DESCRIPTION	COMMENTS
1	513781W	Front Panel Assembly	

Motor, Exhaust Fan and Belt

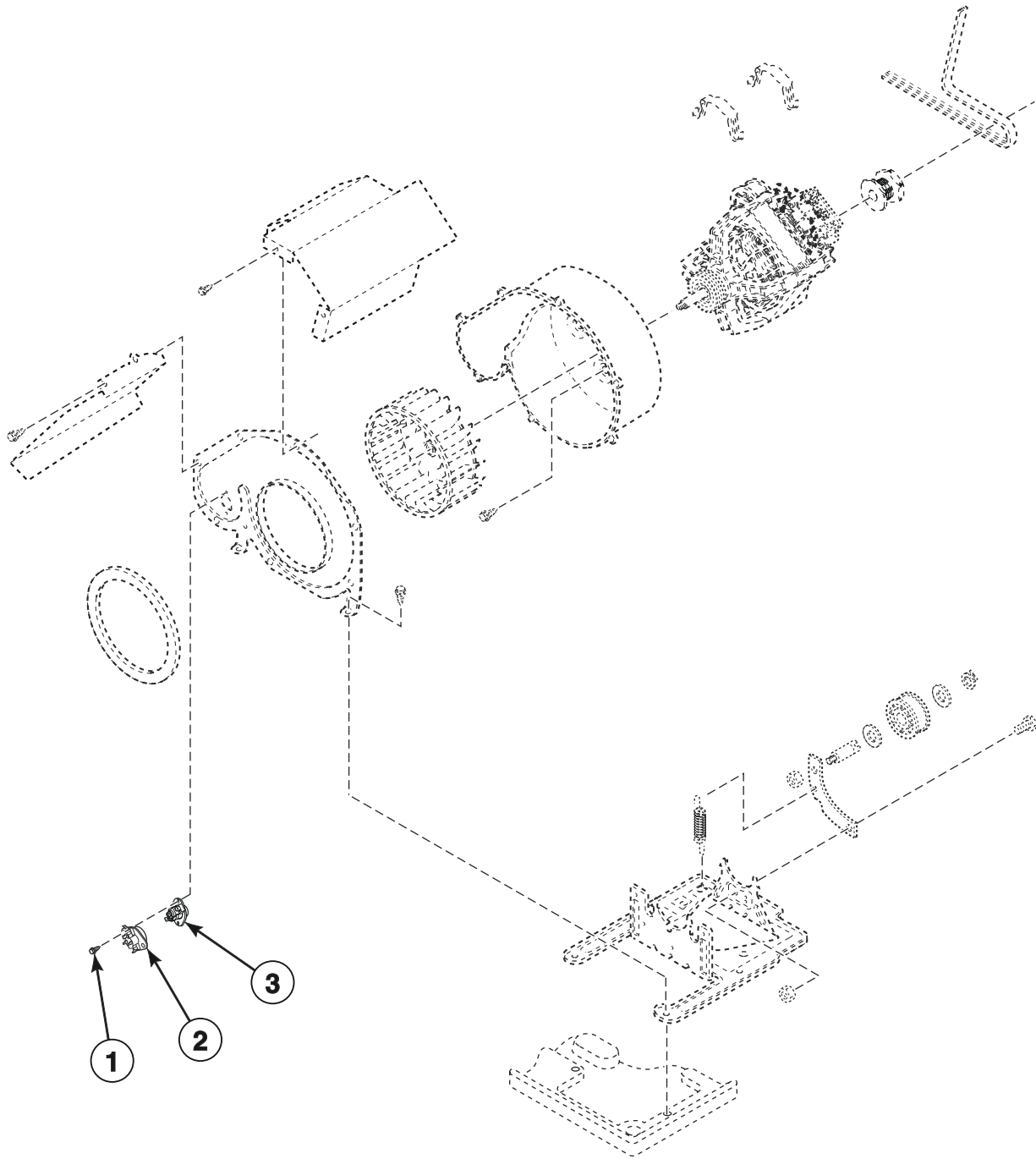


DRY2440P_515155

Motor, Exhaust Fan and Belt

REF	PART NO.	DESCRIPTION	COMMENTS
	27604P	Anti-Seize Compound	Apply to motor shaft when installing blower fan assembly
1	31260	Screw	
2	514325	Thermostat Shield	Models BSGBXAGW303AW01, SSEMNAGS431AW01 and SSESXAGW431AW01
3	514602	Motor Shield	Models BSGBXAGW303AW01, SSEMNAGS431AW01, SSESXAGW431AW01, SSGBXAGW301AW01 and SSGSXAGW301AW01
4	511969WP	Blower Housing	Includes items 1 and 12
5	511629P	Motor and Pulley Assembly	120 Volt/60 Hertz; Apply anti-seize compound to motor shaft when installing blower fan assembly; Includes item 9; Models HSEBDAGW291CW01, HSEBEAGW291CW01, HSEBXAGW131DW01, HSEBXAGW171FW28, HSEBYAGW281CW01, HSEBYAGW291CW01, HSGBDAGW091CW01, HSGBEAGW091CW01, HSGBXAGW091CW01, HSGBYAGW091CW01, HSGSXAGW091CW01 and SSEBXAGW131DW01
	505869P	Motor and Pulley Assembly	240 Volt/60 Hertz; Apply anti-seize compound to motor shaft when installing blower fan assembly; Includes item 9; Models HSEBXAGW541DW01 and SSEBXAGW541DW01
	505843P	Motor and Pulley Assembly	240 Volt/50 Hertz; Apply anti-seize compound to motor shaft when installing blower fan assembly; Includes item 9; All other models
6	510180	Motor Mount Clamp	
7	511255P	Cylinder Belt	
8	500011	Motor Pulley	60 Hertz; Models HSEBDAGW291CW01, HSEBEAGW291CW01, HSEBXAGW131DW01, HSEBXAGW171FW28, HSEBXAGW541DW01, HSEBYAGW281CW01, HSEBYAGW291CW01, HSGBDAGW091CW01, HSGBEAGW091CW01, HSGBXAGW091CW01, HSGBYAGW091CW01, HSGSXAGW091CW01, SSEBXAGW131DW01 and SSEBXAGW541DW01
	500222	Motor Pulley	50 Hertz; All other models
9	590P3	Motor Hub Ring Kit	
10	503688	Screw	
11	510139P	Blower Fan Assembly	Apply anti-seize compound to motor shaft when installing blower fan assembly
12	510238P	Blower Housing Seal	
13	510185	Idler Spring	
14	56156	Nut	
15	510133	Idler Lever	
16	56461P	Shaft	
17	52549	Washer	
18	510142P	Idler Wheel and Bearing Assembly	
19	23748	Retaining Ring	
20	500824	Screw	
21	510158	Idler Lever and Wheel Assembly	Includes items 14-19
22	52566	Nut	
23	510060	Motor Mount	
24	510717P	Blower and Fan Kit	Includes items 1-6 and 8-23

Thermostat and Thermistor

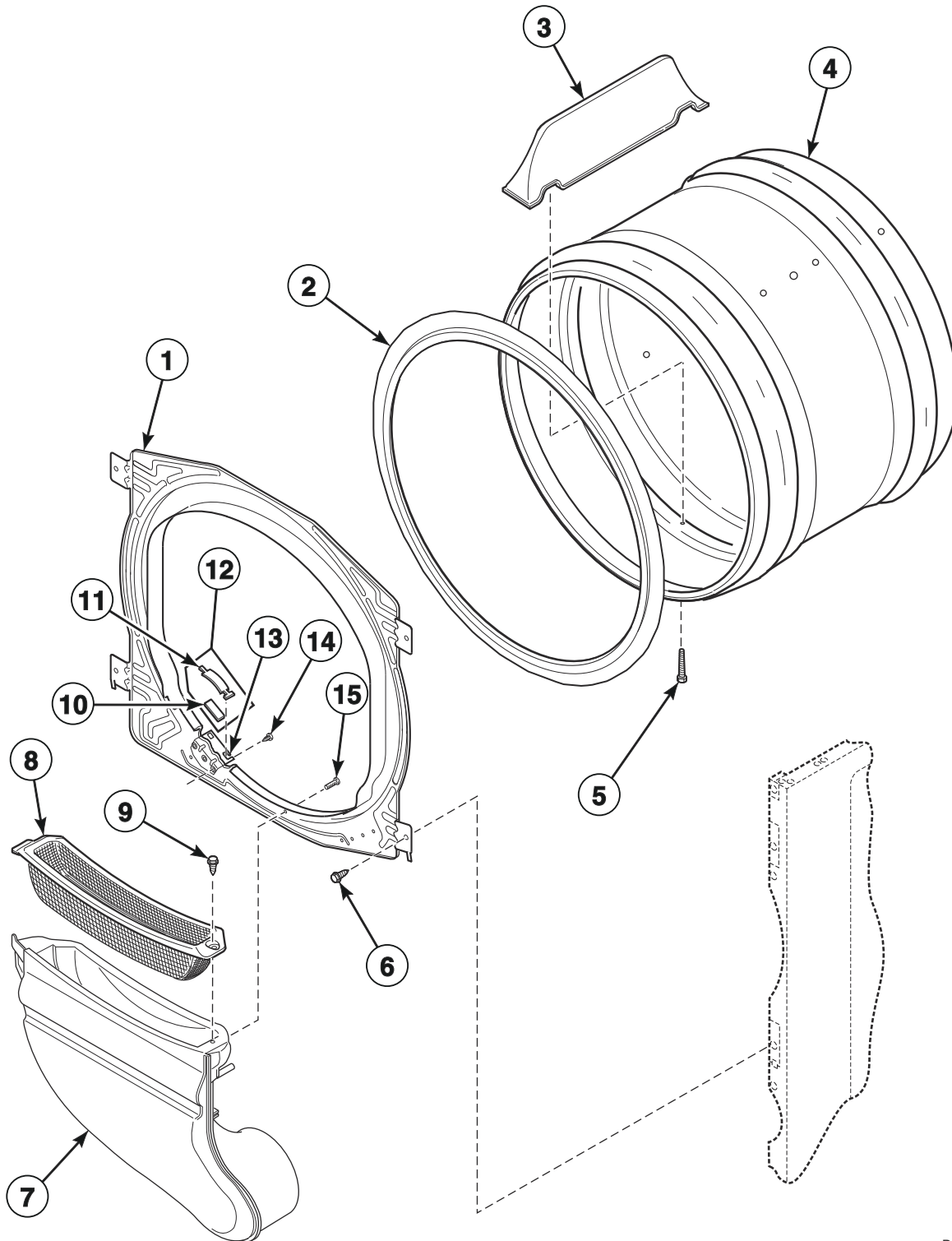


DRY2440PA_515155

Thermostat and Thermistor

REF	PART NO.	DESCRIPTION	COMMENTS
1	502535	Screw	
2	511887	Thermostat	Tan/White; Models SSEMNAGS301NW01, SSEMNAGS301UW01 and SSEMNAGS431AW01
	510523	Thermistor Assembly	Black; Models HSEBDAGW291CW01, HSEBEAGW291CW01, HSEBXAGW131DW01, HSEBXAGW171FW28, HSEBXAGW541DW01, HSEBYAGW281CW01, HSEBYAGW291CW01, HSGBDAGW091CW01, HSGBEAGW091CW01, HSGBXAGW091CW01, HSGBYAGW091CW01, HSGSXAGW091CW01, SSEBXAGW131DW01 and SSEBXAGW541DW01
	502366	Thermistor Assembly	50 Hertz; All other models
3	M411941	Manual Reset Thermostat	Models BSGBXAGW303AW01, SSEMNAGS431AW01, SSESXAGW431AW01, SSGBXAGW301AW01 and SSGSXAGW301AW01

Front Bulkhead, Air Duct, Felt Seal and Cylinder

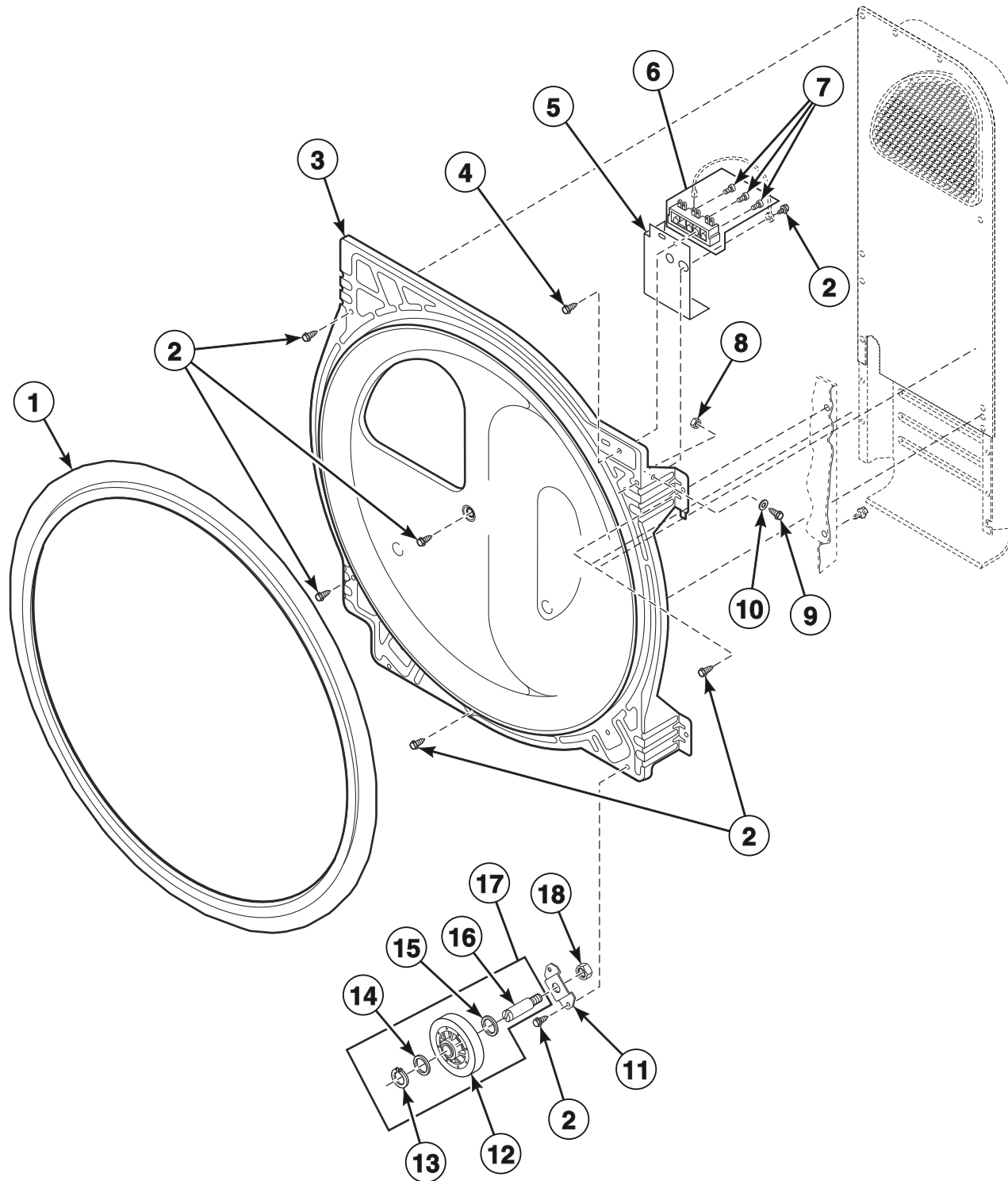


D402P_515155

Front Bulkhead, Air Duct, Felt Seal and Cylinder

REF	PART NO.	DESCRIPTION	COMMENTS
	F8211201	Electrical Shock Label	Model HSEBXAGW171FW28
	F8211301	Pinched Fingers Label	Model HSEBXAGW171FW28
1	510061	Front Bulkhead Assembly	Galvanized
2	510207P	Cylinder Seal Assembly	
	511637P	Adhesive	Apply to cylinder seal
	RB170001	Seal Kit	Includes 2 cylinder seals, 510238P Blower Housing Seal and 511637P Adhesive
3	510102LG	Cylinder Baffle	Models HSEBDAGW291CW01, HSEBEAGW291CW01, HSEBYAGW281CW01 and HSEBYAGW291CW01
	510102W	Cylinder Baffle	All other models
4	510265LGP	Cylinder Assembly	Models HSEBDAGW291CW01, HSEBEAGW291CW01, HSEBYAGW281CW01 and HSEBYAGW291CW01
	510265WP	Cylinder Assembly	Galvanized; Includes item 3; All other models
5	62588	Screw	
6	503688	Screw	
7	510151LG	Air Duct Assembly	Models HSEBDAGW291CW01, HSEBEAGW291CW01, HSEBYAGW281CW01 and HSEBYAGW291CW01
	510151W	Air Duct Assembly	All other models
8	503980LG	Lint Filter	Models HSEBDAGW291CW01, HSEBEAGW291CW01, HSEBYAGW281CW01 and HSEBYAGW291CW01
	503980W	Lint Filter	All other models
9	501285	Screw	
10	510189	Felt Pad	
11	513710	Cylinder Glide	
12	RB170003	Glide Kit	Includes 2 of items 10 and 11
13	510145	Cylinder Glide Bracket	
14	52864	Screw	
15	505295	Screw	

Rear Bulkhead, Felt Seal, Cylinder Roller and Terminal Block

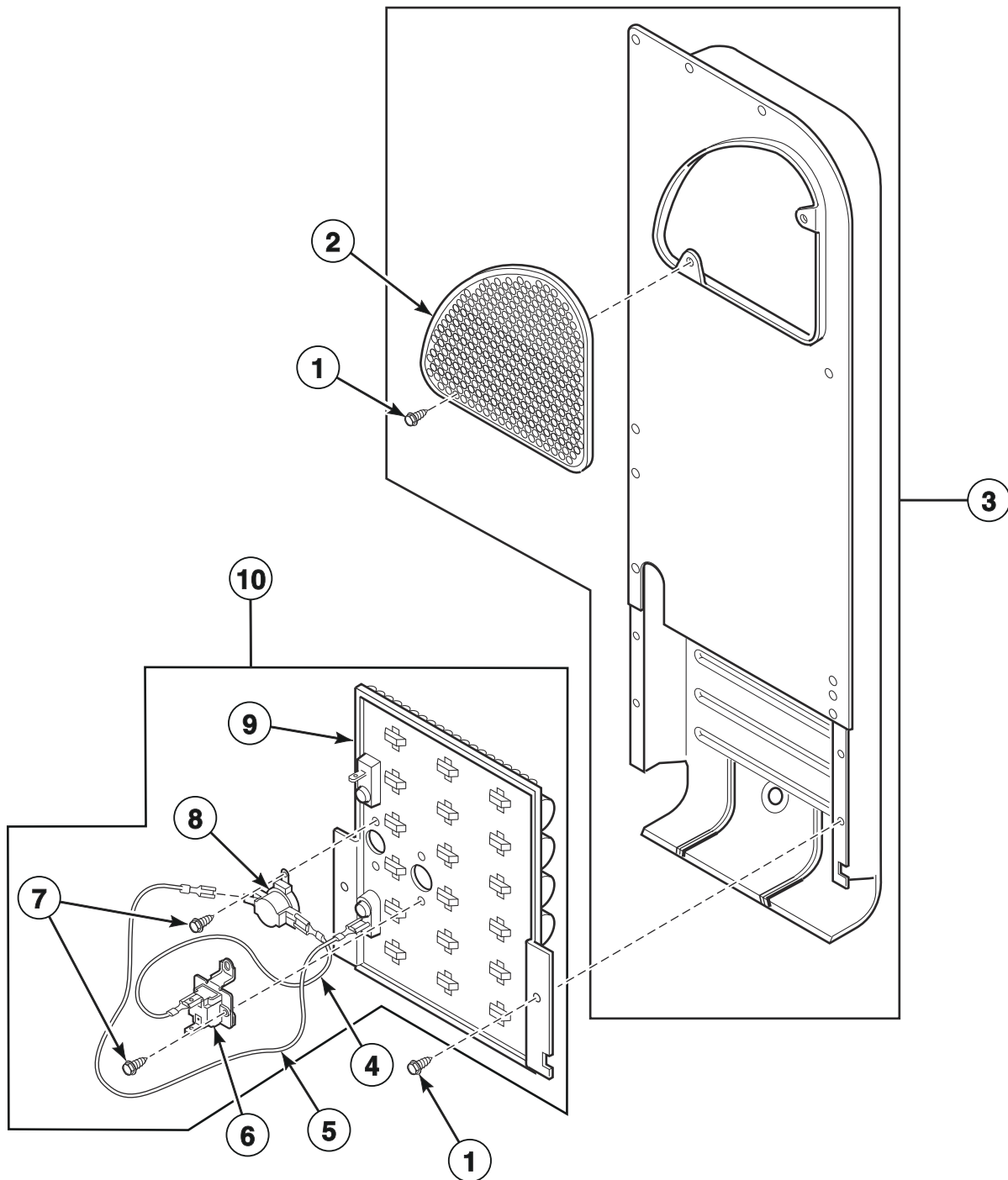


DRY1774P_515155

Rear Bulkhead, Felt Seal, Cylinder Roller and Terminal Block

REF	PART NO.	DESCRIPTION	COMMENTS
1	510207P	Cylinder Seal Assembly	
	511637P	Adhesive	Apply to cylinder seal
	RB170001	Seal Kit	Includes 2 cylinder seals, 510238P Blower Housing Seal and 511637P Adhesive
2	503688	Screw	
3	510041	Rear Bulkhead Assembly	Galvanized; Includes item 1
4	501285	Screw	All models except HSGBDAGW091CW01, HSGBEAGW091CW01, HSGBXAGW091CW01, HSGBYAGW091CW01, HSGSXAGW091CW01, NSGBXAGW301NW22, NSGSXAGW301NW22, SSGBXAGS301EW01, SSGSXAGS301EW01 and SSGSXAGW301BW01
5	514330	Terminal Block Shield	Models BSGBXAGW303AW01, SSEMNAGS431AW01, SSESXAGW431AW01, SSGBXAGW301AW01 and SSGSXAGW301AW01
	510237	Terminal Block Shield	Electric models
6	510190P	Terminal Block Assembly	Includes 3 of item 7
7	61199	Screw	
8	28447	Nut	
9	28448	Screw	
10	28449	Washer	
11	510100	Cylinder Roller Bracket	
12	510708P	Cylinder Roller	
13	23748	Retaining Ring	
14	52549	Washer	
15	504082	Washer	
16	56461P	Shaft	
17	RB170002	Roller Kit	Includes items 12-16
18	56156	Nut	

Heater Duct and Element Assembly - Electric Models

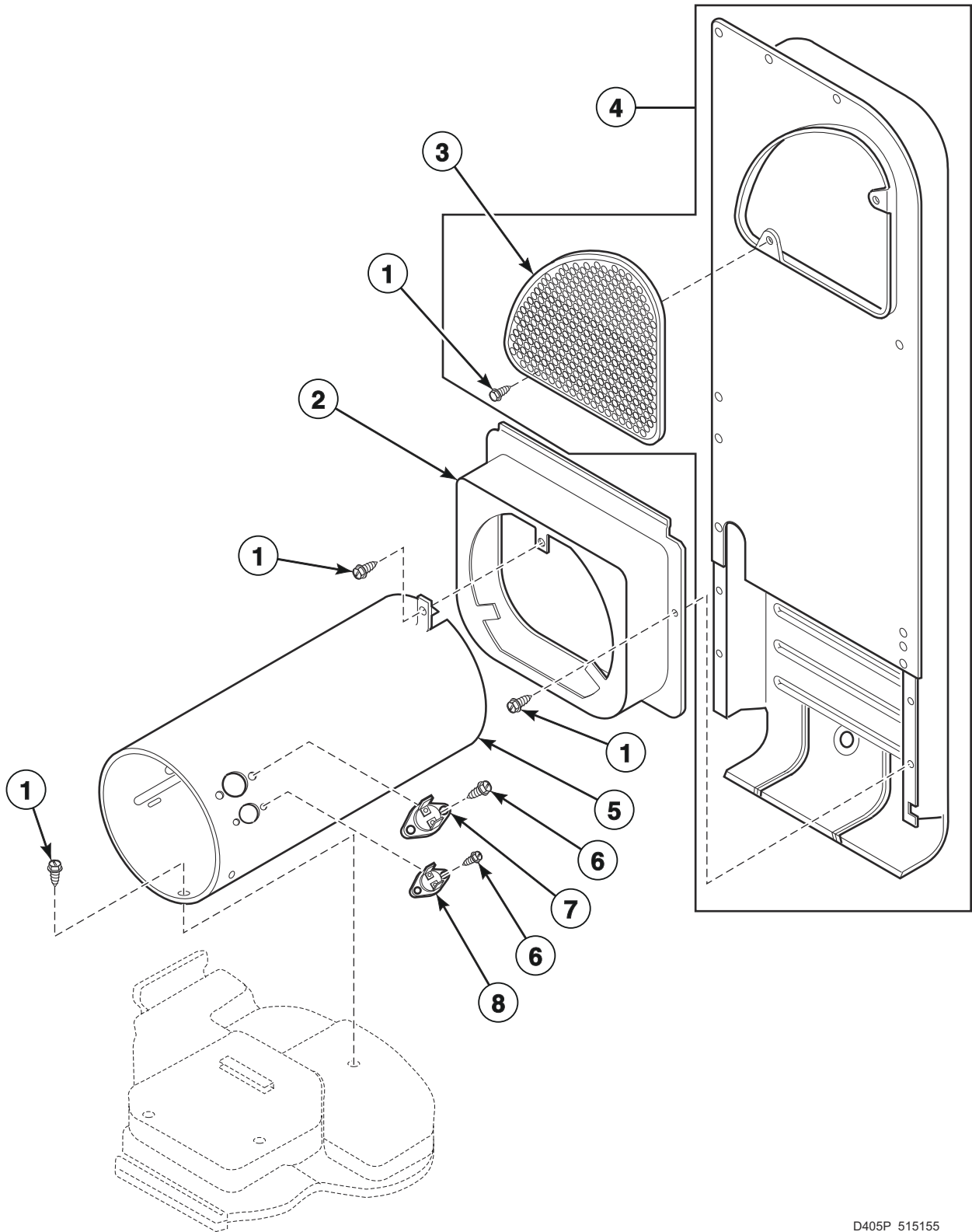


DRY1789P_515155

Heater Duct and Element Assembly - Electric Models

REF	PART NO.	DESCRIPTION	COMMENTS
1	503688	Screw	
2	500820	Outlet Cover	
3	510025P	Heater Duct and Screw Assembly	Includes items 1 and 2
4	510528	Wire Assembly	Orange; Thermostat jumper; Attaches to heater assembly
5	510527	Wire Assembly	Black; Fuse jumper; Attaches to heater assembly
6	511412	Thermal Fuse Assembly	
7	23222	Screw	
8	510701	Limit Thermostat	
9	510327P	Heater Assembly	240 Volt/50 Hertz; 4 kW; Models SSEMNAGS431AW01 and SSESXAGW431AW01
	510330P	Heater Assembly	208 Volt/60 Hertz; 4.25 kW; Models HSEBDAGW291CW01, HSEBEAGW291CW01 and HSEBYAGW291CW01
	510329P	Heater Assembly	240 Volt/60 Hertz; 5.35 kW; Models HSEBXAGW131DW01, HSEBXAGW171FW28, HSEBXAGW541DW01, SSEBXAGW131DW01 and SSEBXAGW541DW01
	510324P	Heater Assembly	240 Volt/60 Hertz; 5 kW; Model HSEBYAGW281CW01
	510326P	Heater Assembly	240 Volt/50 Hertz; 4.8 kW; All other models
10	965P3	Heater Kit	208 Volt/60 Hertz; 4.25 kW; Includes items 4-9; Models HSEBDAGW291CW01, HSEBEAGW291CW01 and HSEBYAGW291CW01
	61930	Heater Kit Assembly	240 Volt/50 Hertz; 4 kW; Models SSEMNAGS431AW01 and SSESXAGW431AW01
	964P3	Heater Kit	240 Volt/60 Hertz; 5.35 kW; Models HSEBXAGW131DW01, HSEBXAGW171FW28, HSEBXAGW541DW01, SSEBXAGW131DW01 and SSEBXAGW541DW01
	61927	Heater Kit Assembly	240 Volt/60 Hertz; 5 kW; Model HSEBYAGW281CW01
	61929	Heater Kit Assembly	240 Volt/50 Hertz; 4.8 kW; All other models

Heater Duct Assembly - Gas Models

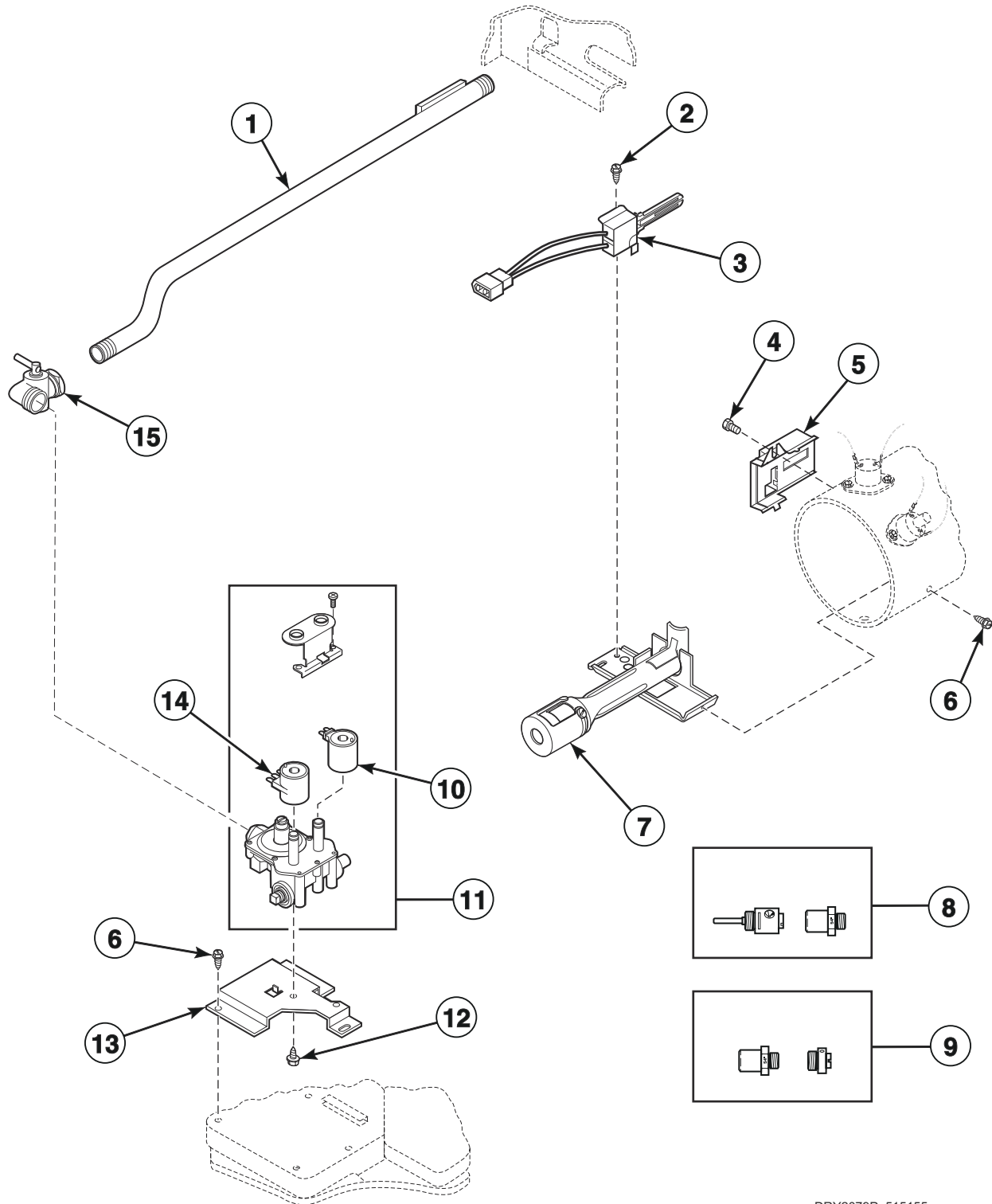


D405P_515155

Heater Duct Assembly - Gas Models

REF	PART NO.	DESCRIPTION	COMMENTS
1	503688	Screw	
2	510101	Heat Duct Shroud	
3	500820	Outlet Cover	
4	510025P	Heater Duct and Screw Assembly	Includes items 1 and 3
5	510132	Combustion Duct	Models HSGBDAGW091CW01, HSGBEAGW091CW01, HSGBXAGW091CW01, HSGBYAGW091CW01 and HSGSXAGW091CW01
	510131	Combustion Duct	All other models
6	51782	Screw	
7	510702	Limit Thermostat	Black; Auto reset
8	510703	Thermostat	Manual reset; Models HSGBDAGW091CW01, HSGBEAGW091CW01, HSGBXAGW091CW01, HSGBYAGW091CW01 and HSGSXAGW091CW01

Gas Valve, Igniter and Gas Conversion Kits

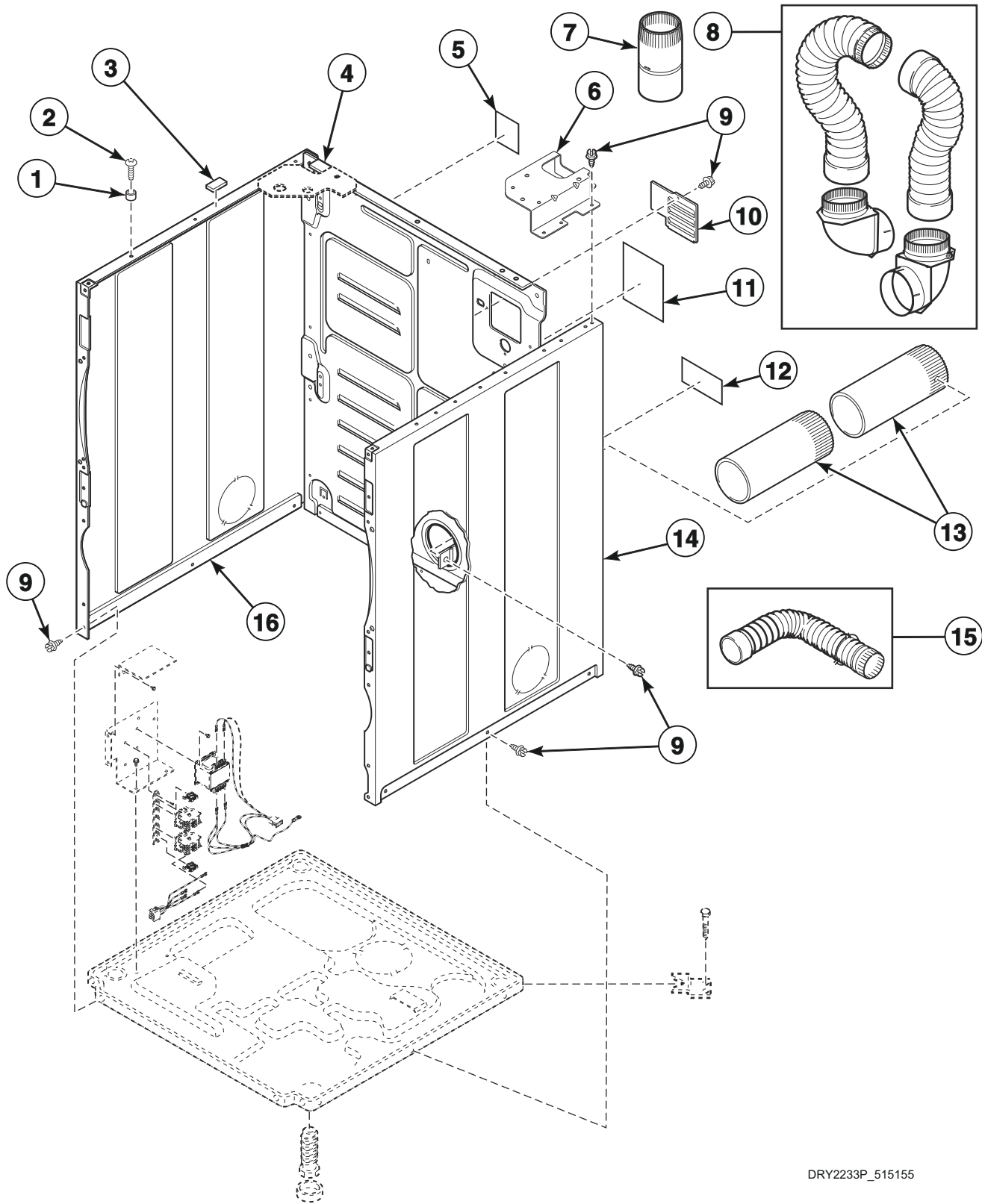


DRY2079P_515155

Gas Valve, Igniter and Gas Conversion Kits

REF	PART NO.	DESCRIPTION	COMMENTS
1	510204	Lead-In Pipe Assembly	
2	51782	Screw	
3	510184P	Igniter and Bracket Assembly	
4	23222	Screw	
5	510213	Sensor	
6	503688	Screw	
7	510149P	Burner Assembly	
8	600P3	L.P. Conversion Kit	Used to convert dryers from Natural Gas (N.G.) or Mixed Gas to Liquid Petroleum Gas (L.P.) for 25,000 Btu; Models NSGBXAGW301NW22, SSGBXAGS301EW01 and SSGSXAGS301EW01
	458P3	L.P. Conversion Kit	Used to convert dryers from N.G. or Mixed Gas to L.P. for 25,000 Btu; All other models
9	459P3	N.G. Conversion Kit	Used to convert dryers from L.P. to N.G. or Mixed Gas for 25,000 Btu; All models except NSGBXAGW301NW22, SSGBXAGS301EW01 and SSGSXAGS301EW01
10	59063B	Secondary Coil	50 Hertz; Models BSGBXAGW303AW01, NSGBXAGW301NW22, NSGSXAGW301NW22, SSGBXAGS301EW01, SSGBXAGW301AW01, SSGSXAGS301EW01, SSGSXAGW301AW01 and SSGSXAGW301BW01
	58804B	Secondary Coil	60 Hertz; All other models
11	60443P	Valve Assembly	50 Hertz; 25,000 Btu; Includes items 10 and 14; Models BSGBXAGW303AW01, NSGBXAGW301NW22, NSGSXAGW301NW22, SSGBXAGS301EW01, SSGBXAGW301AW01, SSGSXAGS301EW01, SSGSXAGW301AW01 and SSGSXAGW301BW01
	60353P	Gas Valve Assembly	60 Hertz; 25,000 Btu; Includes items 10 and 14; All other models
12	56124	Screw	
13	510128	Gas Valve Mounting Bracket	
14	59063A	Booster and Holding Coil	50 Hertz; Models BSGBXAGW303AW01, NSGBXAGW301NW22, NSGSXAGW301NW22, SSGBXAGS301EW01, SSGBXAGW301AW01, SSGSXAGS301EW01, SSGSXAGW301AW01 and SSGSXAGW301BW01
	58804A	Booster and Holding Coil	60 Hertz; All other models
15	510205	Elbow Shut-Off Valve	

Cabinet and Exhaust Duct

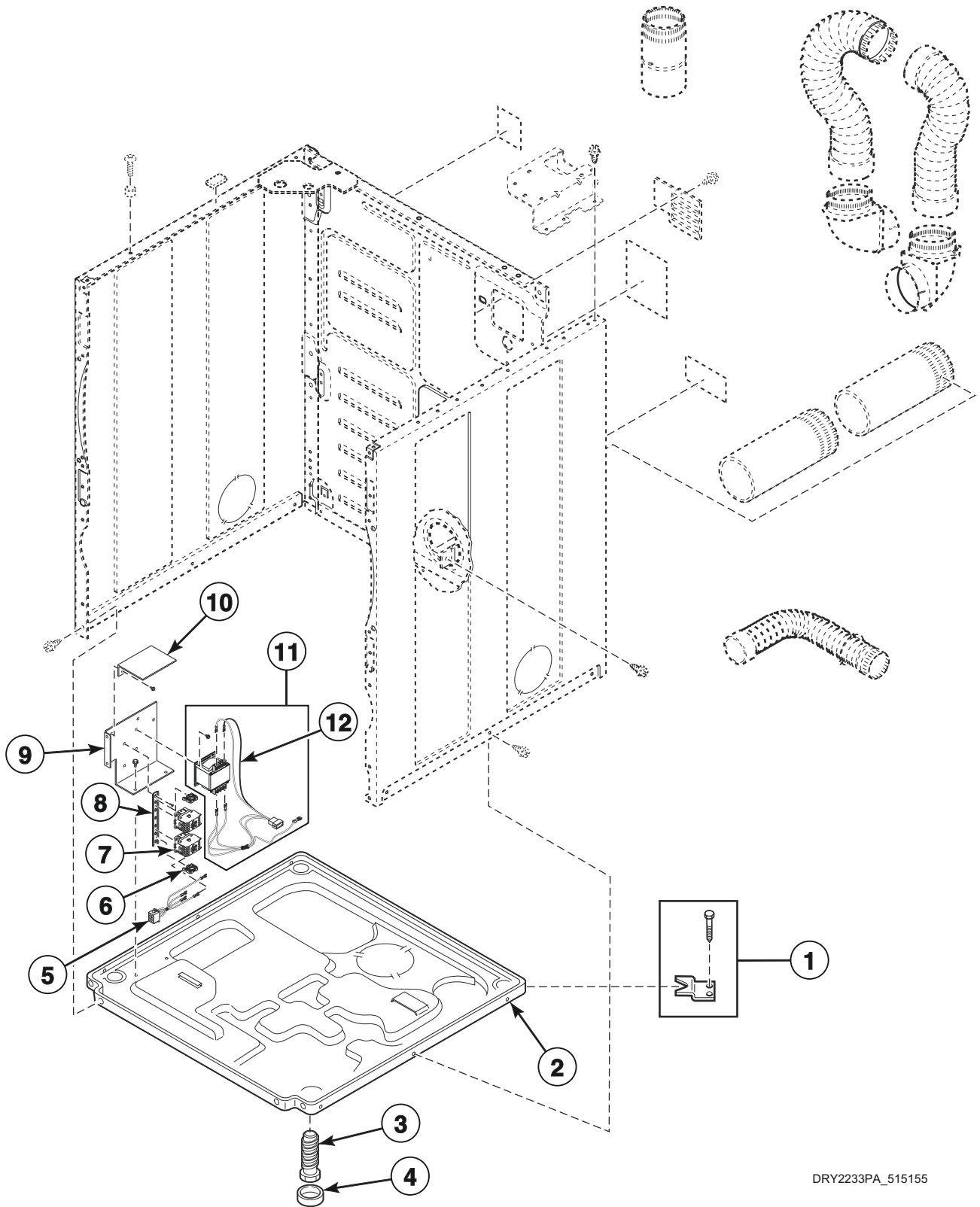


DRY2233P_515155

Cabinet and Exhaust Duct

REF	PART NO.	DESCRIPTION	COMMENTS
	122P4P	Porcelain Touch-Up Paint	White
	370P4P	Porcelain Touch-Up Paint	Bisque
	513372	Label	Models HSEBDAGW291CW01, HSEBEAGW291CW01, HSEBYAGW281CW01 and HSEBYAGW291CW01
1	56079	Panel Locator	
2	39733	Screw	
3	56128	Bumper Pad	
4	510005P	Cabinet Rear Panel	
5	511004	Gas Clearance Label	
6	547P3	Coin Cabinet Hardware Kit	
7	58786	Damper	Use when connecting to a manifold vent system
8	521P3	Flexible Venting Kit	
9	503688	Screw	
10	510903	Access Panel Plate	
11	511005	Electric Clearance Label	Models HSEBXAGW171FW28, NSEBXAGW301NW22, NSESXAGW301NW22, SSEMNAGS301NW01, SSESXAGW301NQ01, SSESXAGW301NW01 and TSEBXAGW301NW22
12	500497	Exhaust Warning Label	Models BSGBXAGW303AW01, HSEBDAGW291CW01, HSEBEAGW291CW01, HSEBYAGW281CW01, HSEBYAGW291CW01, HSGBEAGW091CW01, HSGBXAGW091CW01, HSGBYAGW091CW01, HSGSXAGW091CW01, NSEBXAGW301NW22, NSESXAGW301NW22, SSEMNAGS301NW01, SSEMNAGS431AW01, SSESXAGW301NQ01, SSESXAGW301NW01, SSESXAGW431AW01, SSGBXAGW301AW01, SSGSXAGW301AW01, SSGSXAGW301BW01 and TSEBXAGW301NW22
13	510137	Exhaust Duct	Each dryer requires 2 pieces
14	510002WP	Cabinet Side Panel	White; Right
	510002QP	Cabinet Side Panel	Bisque; Right
15	528P3	Directional Exhaust Kit	Used to vent dryer out the sides or bottom
16	510001WP	Cabinet Side Panel	White; Left
	510001QP	Cabinet Side Panel	Bisque; Left

Base

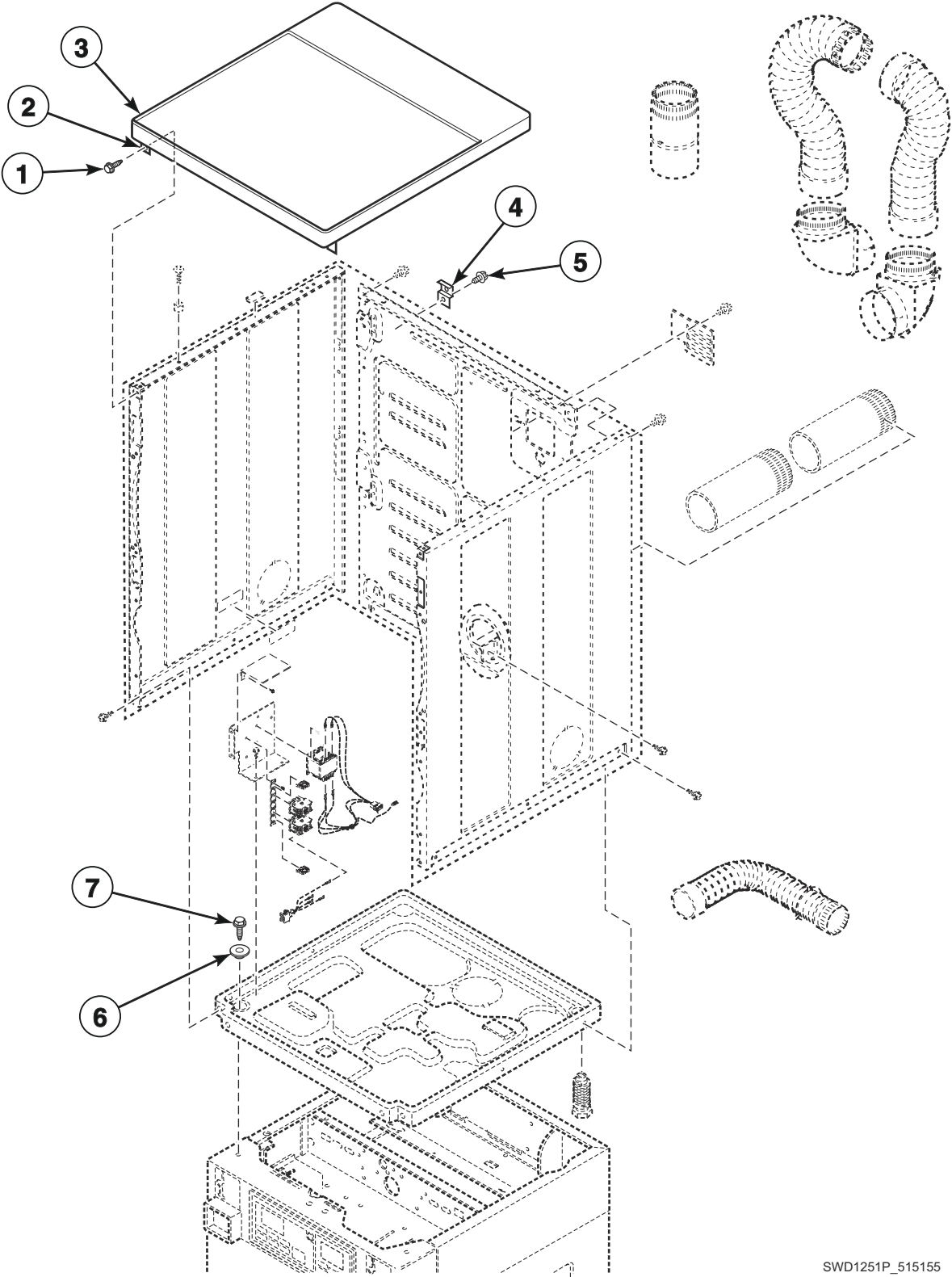


DRY2233PA_515155

Base

REF	PART NO.	DESCRIPTION	COMMENTS
1	526P3	Hold Down Kit	For mobile home installations
2	514245	Dryer Base	
3	510135	Leveling Leg	
4	501855	Rubber Foot	
5	511327	Harness Assembly	Model SSGBXAGS301EW01
6	70121001	End Stop	Model SSGBXAGS301EW01
7	70323701P	Contacto	Model SSGBXAGS301EW01
8	M412693	Din Rail	Model SSGBXAGS301EW01
9	511859	Contacto Bracket	Models BSGBXAGW303AW01, NSGBXAGW301NW22, NSGSXAGW301NW22, SSGBXAGS301EW01, SSGBXAGW301AW01, SSGSXAGS301EW01, SSGSXAGW301AW01 and SSGSXAGW301BW01
10	801101	Card Reader Shield	Model SSGBXAGS301EW01
11	511658P	Transformer Kit	Models BSGBXAGW303AW01, NSGBXAGW301NW22, NSGSXAGW301NW22, SSGBXAGS301EW01, SSGBXAGW301AW01, SSGSXAGS301EW01, SSGSXAGW301AW01 and SSGSXAGW301BW01
12	511303	Wire Harness Assembly	Transformer adapter; Includes 502592 Fuse (3.15 Amp, 250 Volt); Models BSGBXAGW303AW01, NSGBXAGW301NW22, NSGSXAGW301NW22, SSGBXAGS301EW01, SSGBXAGW301AW01, SSGSXAGS301EW01, SSGSXAGW301AW01 and SSGSXAGW301BW01

Cabinet Top



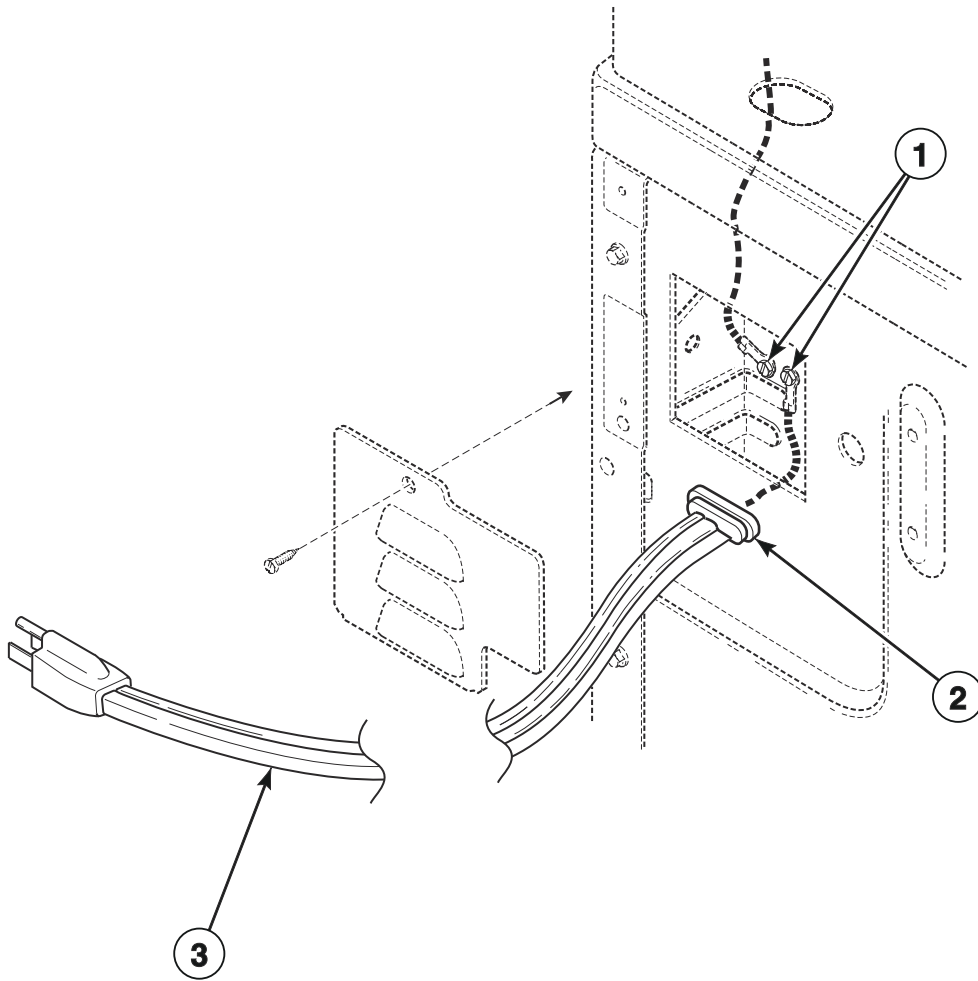
SWD1251P_515155

Cabinet Top

REF	PART NO.	DESCRIPTION	COMMENTS
1	503661	Screw	
2	510146	Bracket	
3	510032WP	Top Kit	White
	510032QP	Top Kit	Bisque
4	510136	Top Hinge	
5	503688	Screw	
6	501307	Washer	
7	36048	Screw	

Power Cord

Models BSGBXAGW303AW01, HSGBDAGW091CW01, HSGBEAGW091CW01, HSGBXAGW091CW01, HSGBYAGW091CW01, HSGSXAGW091CW01, NSGBXAGW301NW22, NSGSXAGW301NW22, SSEBXAGS301UQ01, SSEBXAGS301UW01, SSEMNAGS301UW01, SSEMNAGS431AW01, SSESXAGS301UW01, SSESXAGW431AW01, SSGBXAGS301EW01, SSGBXAGW301AW01, SSGSXAGS301EW01, SSGSXAGW301AW01 and SSGSXAGW301BW01

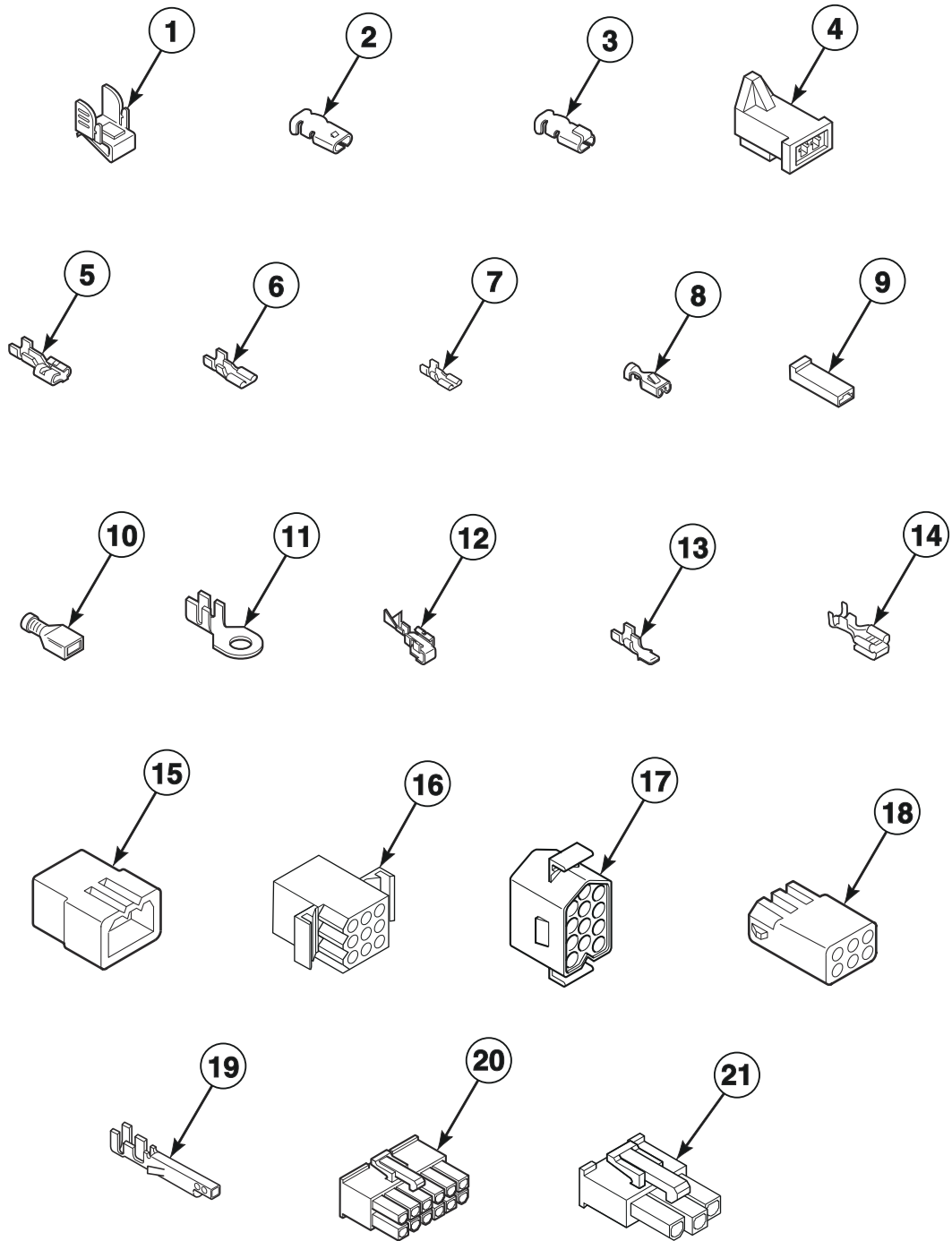


D408PE3A_515155

Power Cord

REF	PART NO.	DESCRIPTION	COMMENTS
	502496	Strain Relief Adapter	
1	20530	Screw	
2	60298	Strain Relief	Models BSGBXAGW303AW01, SSGBXAGW301AW01 and SSGSXAGW301AW01
	52151	Strain Relief	Models HSGBDAGW091CW01, HSGBEAGW091CW01, HSGBXAGW091CW01, HSGBYAGW091CW01 and HSGSXAGW091CW01
	502500	Strain Relief	Models SSGBXAGS301EW01 and SSGSXAGS301EW01
	52113	Strain Relief	Models NSGBXAGW301NW22, NSGSXAGW301NW22, SSEBXAGS301UQ01, SSEBXAGS301UW01, SSEMNAGS301UW01, SSEMNAGS431AW01, SSESXAGS301UW01 and SSESXAGW431AW01
	38384	Strain Relief	Model SSGSXAGW301BW01
3	61605P	Lead-In Cord Kit	Models SSEMNAGS431AW01 and SSESXAGW431AW01
	512019	Lead-In Cord	Models BSGBXAGW303AW01, SSGBXAGW301AW01 and SSGSXAGW301AW01
	503597	Lead-In Cord Assembly	Models NSGBXAGW301NW22, NSGSXAGW301NW22, SSEBXAGS301UQ01, SSEBXAGS301UW01, SSEMNAGS301UW01 and SSESXAGS301UW01
	506081	Power Cord Assembly	Models SSGBXAGS301EW01 and SSGSXAGS301EW01
	58992	Power Cord Assembly	Models HSGBDAGW091CW01, HSGBEAGW091CW01, HSGBXAGW091CW01, HSGBYAGW091CW01 and HSGSXAGW091CW01
	505945	Power Cord Assembly	Model SSGSXAGW301BW01

Terminal Block and Terminals

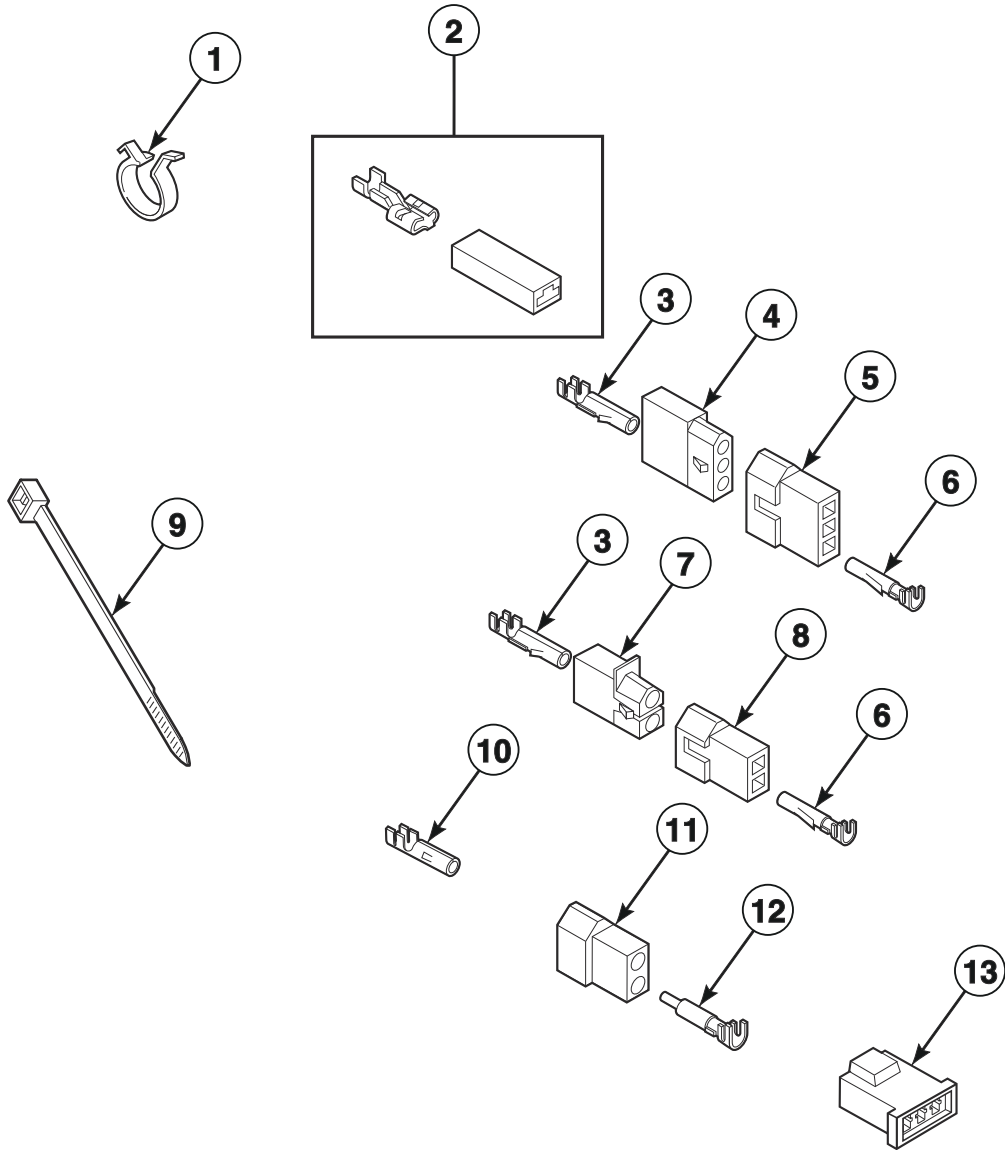


DRY2441P_515155

Terminal Block and Terminals

REF	PART NO.	DESCRIPTION	COMMENTS
1	00161	Grounding Clip	
2	00189	Female Spade Terminal	1/8 inch
3	00361	Female Piggyback Terminal	
4	58799	2 Circuit Connector	
5	00223	Female Spade Terminal	1/4 inch; (1) 18 gauge wire
	00121	Female Spade Terminal	1/4 inch; (2) 18 gauge wires or (1) 12 gauge wire
	00245	Spade Terminal	1/4 inch; (1) 22 gauge wire
6	00124	Female Spade Terminal	3/16 inch; (1) 18 gauge wire; .020 tab
	00156	Female Spade Terminal	3/16 inch; Thermostat wire; .032 tab
	00112	Female Spade Terminal	3/16 inch; .020 tab
7	00347	Terminal	
8	00115	Female Spade Terminal	1/4 inch; (1) 18 gauge wire
9	90789	Receptacle Housing	
10	00359	Insulated Female Spade Terminal	1/4 inch
	00165	Insulated Female Terminal	3/16 inch
11	00110	Ring Terminal	No. 10; (1) 18 gauge wire
	00111	Ring Terminal	No. 10; (2) 18 gauge wires or (1) 12 gauge wire
12	00114	Female Spade Terminal	1/4 inch; Double connector
13	00139	Male Tab Terminal	1/4 inch; (2) 18 gauge wires or (1) 12 gauge wire
14	00344	Female Tab Terminal	1/4 inch
15	26302	1 Circuit Plug	
	23033	9 Circuit Plug	
	23041	6 Circuit Plug	
16	26163	9 Circuit Receptacle	
	56855	12 Circuit Receptacle	
17	54522	Plug	
18	26301	1 Circuit Receptacle	
	26708	6 Circuit Receptacle	
19	00252	Terminal	
20	34596	10 Circuit Receptacle	
	501333	12 Circuit Receptacle	
21	36170	3 Circuit Receptacle	

Terminals

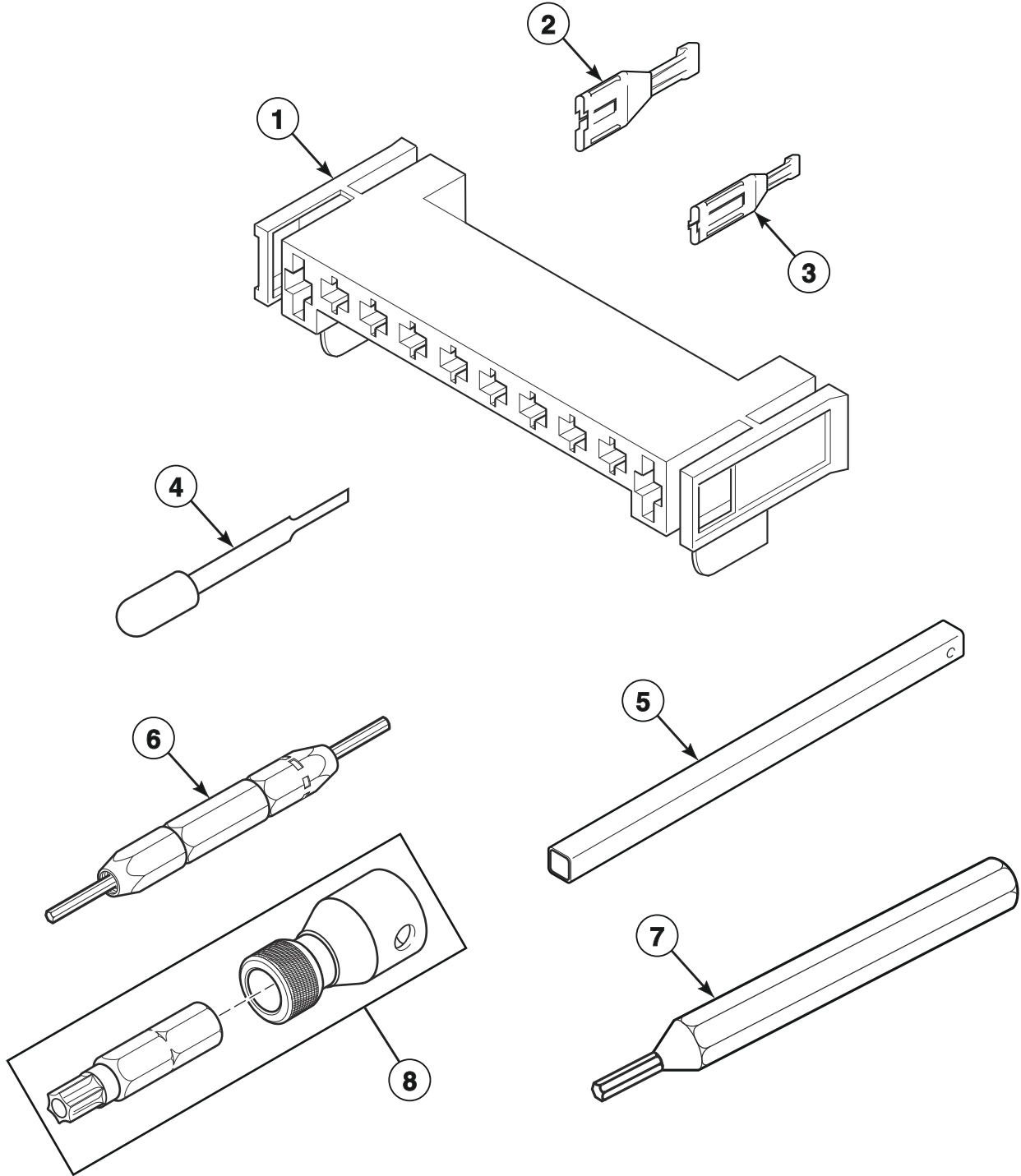


DRY1769P_515155

Terminals

REF	PART NO.	DESCRIPTION	COMMENTS
1	504034	Wire Clip	11/16 inch
	687500	Wire Clip	1 inch
2	00360	Insulated Female Spade Terminal	(1) 12 gauge wire or (2) 18 gauge wires
3	00117	Female Pin Terminal	
4	56265	2 Circuit Receptacle	
	23039	3 Circuit Receptacle	
5	23040	Plug	
6	00116	Male Pin Terminal	
7	56451	2 Circuit Receptacle	
8	56448	2 Circuit Plug	
9	55881	Harness Strap	
	38663	Wire Tie	
10	00128	Female Pin Terminal	1/8 inch; 10-14 gauge wire
	00130	Female Pin Terminal	1/8 inch; 16-18 gauge wire
11	56266	2 Circuit Plug	
12	00129	Male Pin Terminal	.12 insulation diameter
	00127	Male Pin Terminal	.18 insulation diameter
13	58800	3 Circuit Connector	

Terminals and Terminal Extractor Tools



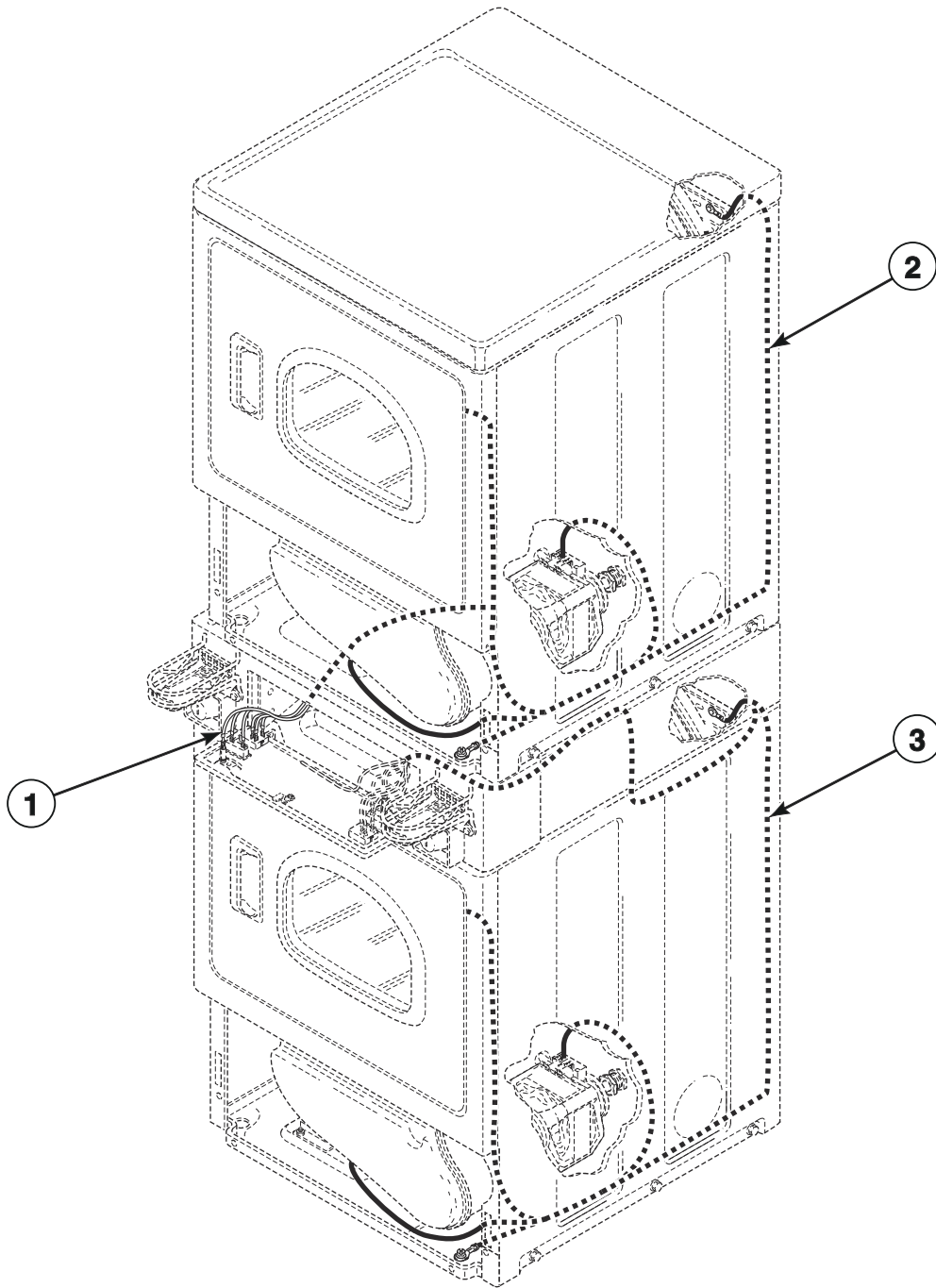
DRY2081P_515155

Terminals and Terminal Extractor Tools

REF	PART NO.	DESCRIPTION	COMMENTS
1	500338	10 Position Housing	
2	00255	Female Terminal	1/4 inch; (1) 12 gauge wire
	00256	Female Terminal	1/4 inch; (1) or (2) 18 gauge wires
3	00188	Female Terminal	For 1 or 2 wire application
4	283P4	Terminal Extractor Tool	For use on Molex connectors
5	310P4	Ratchet Extension Tool	1/4 inch; For coin drop installation
6	190P4	Extractor Tool	For use on electric dryer models
7	128P4	Extractor Tool	For use on gas dryer models
8	281P4	Torx Bit	T15 Tamper Resistant Bit
	282P4	Torx Bit	Use with 62853 Screw on access panel; T25 Tamper Resistant Bit
	292P4	Torx Bit	T20 Standard Bit
	93501	Torx Drive Tool	T10 Standard Bit

Wire Harnesses and Wires - Nonmetered and Coin Slide Models

Models HSGSXAGW091CW01, NSGSXAGW301NW22, SSEMNAGS301NW01, SSEMNAGS301UW01, SSEMNAGS431AW01, SSESXAGS301UW01, SSESXAGW301NQ01, SSESXAGW301NW01, SSESXAGW431AW01, SSGSXAGS301EW01, SSGSXAGW301AW01 and SSGSXAGW301BW01



DRY2287P_515155

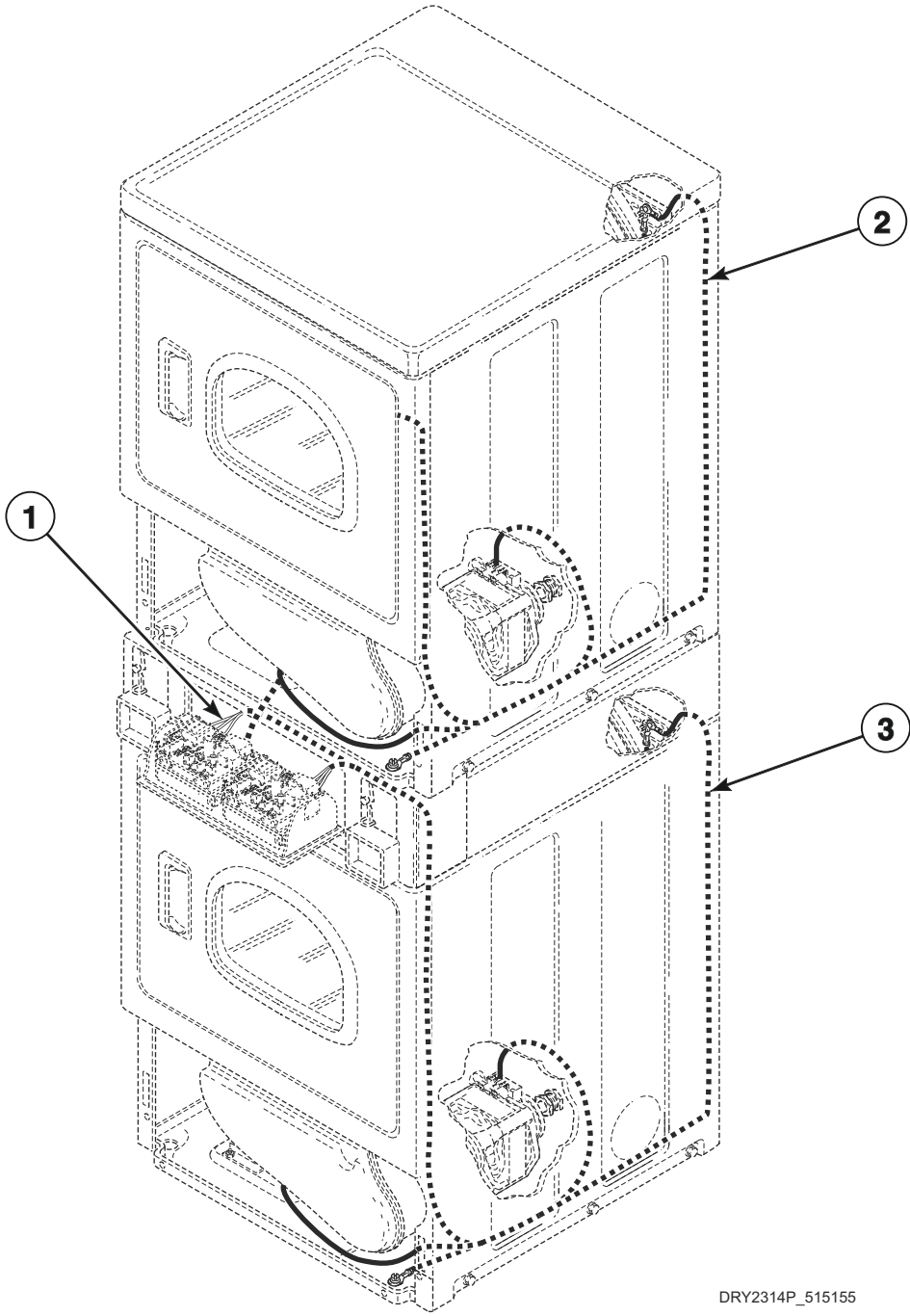
Wire Harnesses and Wires - Nonmetered and Coin Slide Models

REF	PART NO.	DESCRIPTION	COMMENTS
	45380	12 Gauge Wire	Orange; Order wire by the foot; Order terminals and connectors as required
	45001	18 Gauge Wire	Black; Order wire by the foot; Order terminals and connectors as required
1	510654P	Security Cabinet Wire Harness Assembly	2 required; Models SSEMNAGS301NW01, SSEMNAGS301UW01 and SSEMNAGS431AW01
2	513828	Electronic Harness	Models SSESXAGS301UW01, SSESXAGW301NQ01, SSESXAGW301NW01 and SSESXAGW431AW01
	513833	Electronic Harness	Model HSGSXAGW091CW01
	513837	Wire Harness Assembly	Model SSGSXAGW301AW01
	513841	Wire Harness Assembly	Models NSGSXAGW301NW22, SSGSXAGS301EW01 and SSGSXAGW301BW01
	510468P	Wire Harness Assembly	Models SSEMNAGS301NW01, SSEMNAGS301UW01 and SSEMNAGS431AW01
3	513830	Electronic Harness	Models SSESXAGS301UW01, SSESXAGW301NQ01, SSESXAGW301NW01 and SSESXAGW431AW01
	513838	Wire Harness Assembly	Models SSEMNAGS301NW01, SSEMNAGS301UW01 and SSEMNAGS431AW01
	513835	Electronic Harness	Model HSGSXAGW091CW01
	513843	Wire Harness Assembly	Models NSGSXAGW301NW22, SSGSXAGS301EW01 and SSGSXAGW301BW01
	513839	Wire Harness Assembly	Model SSGSXAGW301AW01

NOTE: Individual wires are not available separately. Order complete harness, or order wire by the foot. When applying terminals to wires, it is recommended that the terminals be soldered to the wires.

Wire Harnesses and Wires

Model SSGBXAGS301EW01



DRY2314P_515155

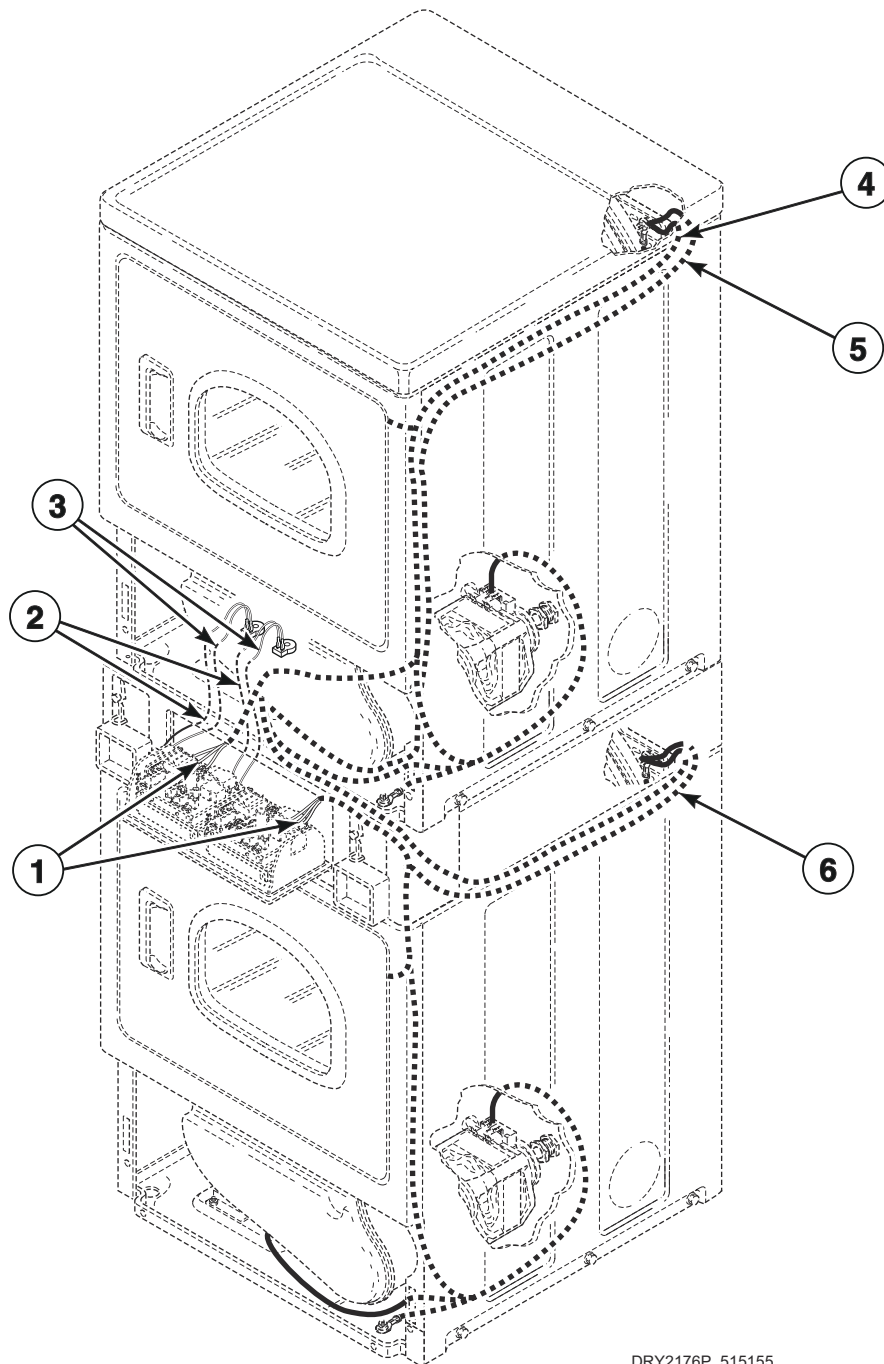
Wire Harnesses and Wires

REF	PART NO.	DESCRIPTION	COMMENTS
	45380	12 Gauge Wire	Orange; Order wire by the foot; Order terminals and connectors as required
	45001	18 Gauge Wire	Black; Order wire by the foot; Order terminals and connectors as required
1	511757	Wire Harness Assembly	
2	513825	Wire Harness Assembly	Upper
3	513827	Wire Harness Assembly	Lower

NOTE: Individual wires are not available separately. Order complete harness, or order wire by the foot. When applying terminals to wires, it is recommended that the terminals be soldered to the wires.

Wire Harnesses and Wires - Coin Drop, Card Reader and OPL Models (Drawing 1 of 2)

Models BSGBXAGW303AW01, HSGBDAGW091CW01, HSGBEAGW091CW01, HSGBXAGW091CW01, HSGBYAGW091CW01, NSGBXAGW301NW22, SSEBXAGS301UQ01, SSEBXAGS301UW01 and SSGBXAGW301AW01



DRY2176P_515155

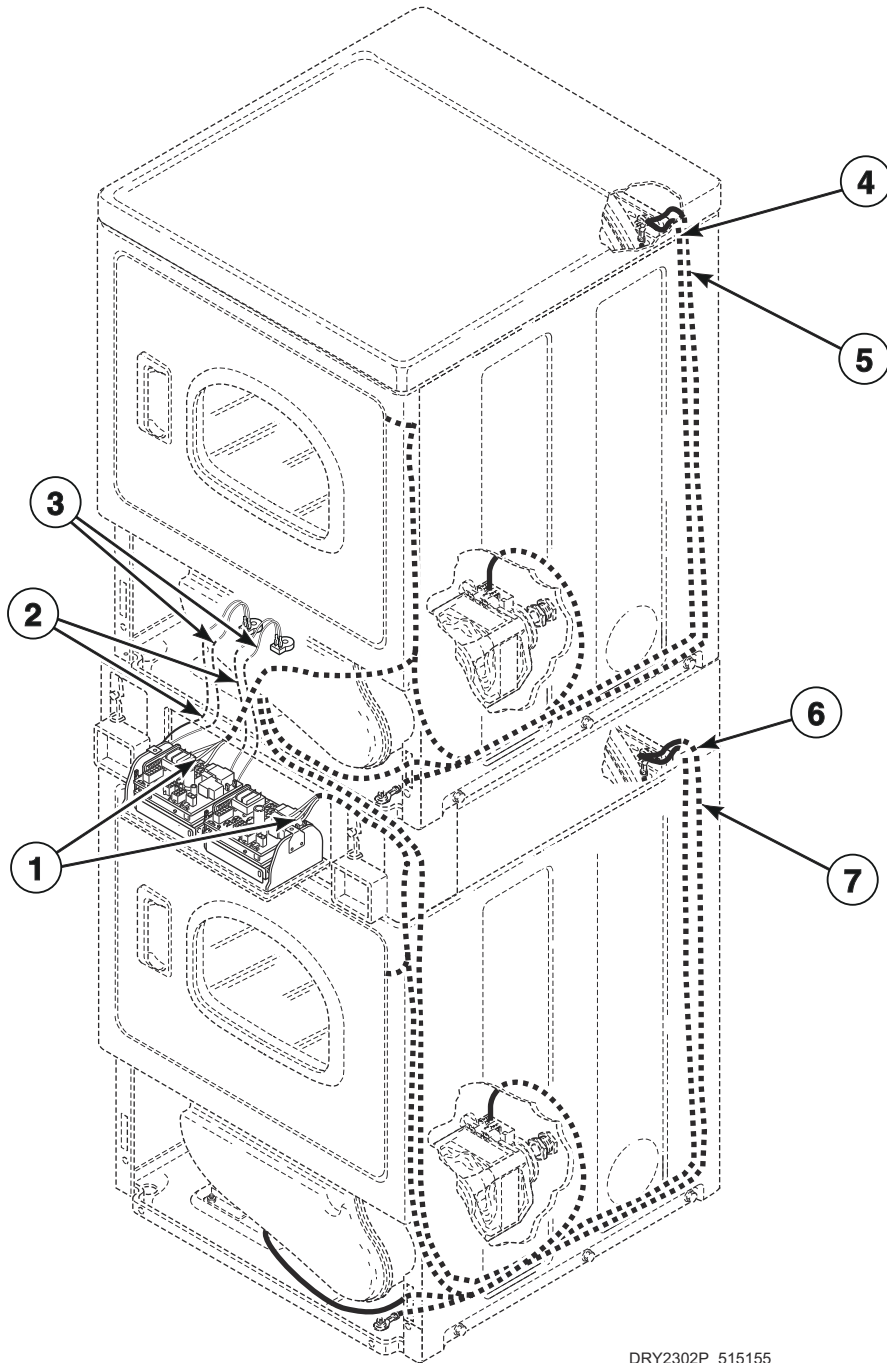
Wire Harnesses and Wires - Coin Drop, Card Reader and OPL Models (Drawing 1 of 2)

REF	PART NO.	DESCRIPTION	COMMENTS
	45380	12 Gauge Wire	Orange; Order wire by the foot; Order terminals and connectors as required
	45001	18 Gauge Wire	Black; Order wire by the foot; Order terminals and connectors as required
	513246P	Jumper Assembly	Connect one jumper assembly to each pair of resistors per control; Models BSGBXAGW303AW01, NSGBXAGW301NW22, SSEBXAGS301UQ01 and SSGBXAGW301AW01
1	512422P	Wire Harness Assembly	
2	512273P	Wire Configuration Assembly	
3	512275P	Wire Configuration Assembly	
4	513833	Electronic Harness	Models HSGBDAGW091CW01, HSGBEAGW091CW01, HSGBXAGW091CW01 and HSGBYAGW091CW01
	513828	Electronic Harness	Models SSEBXAGS301UQ01 and SSEBXAGS301UW01
	513837	Wire Harness Assembly	Models BSGBXAGW303AW01 and SSGBXAGW301AW01
	513841	Wire Harness Assembly	Model NSGBXAGW301NW22
5	513848	Wire Harness Assembly	Models HSGBDAGW091CW01, HSGBEAGW091CW01, HSGBXAGW091CW01 and HSGBYAGW091CW01
6	513830	Electronic Harness	Models SSEBXAGS301UQ01 and SSEBXAGS301UW01
	513835	Electronic Harness	Models HSGBDAGW091CW01, HSGBEAGW091CW01, HSGBXAGW091CW01 and HSGBYAGW091CW01
	513839	Wire Harness Assembly	Models BSGBXAGW303AW01 and SSGBXAGW301AW01
	513843	Wire Harness Assembly	Model NSGBXAGW301NW22

NOTE: Individual wires are not available separately. Order complete harness, or order wire by the foot. When applying terminals to wires, it is recommended that the terminals be soldered to the wires.

Wire Harnesses and Wires - Coin Drop, Card Reader and OPL Models (Drawing 2 of 2)

Models HSEBDAGW291CW01, HSEBEAGW291CW01, HSEBXAGW131DW01, HSEBXAGW171FW28, HSEBXAGW541DW01, HSEBYAGW281CW01, HSEBYAGW291CW01, NSEBXAGW301NW22, NSESXAGW301NW22, SSEBXAGW131DW01, SSEBXAGW541DW01 and TSEBXAGW301NW22



DRY2302P_515155

Wire Harnesses and Wires - Coin Drop, Card Reader and OPL Models (Drawing 2 of 2)

REF	PART NO.	DESCRIPTION	COMMENTS
	45380	12 Gauge Wire	Orange; Order wire by the foot; Order terminals and connectors as required
	45001	18 Gauge Wire	Black; Order wire by the foot; Order terminals and connectors as required
	513246P	Jumper Assembly	Connect one jumper assembly to each pair of resistors per control
1	512422P	Wire Harness Assembly	Models HSEBDAGW291CW01, HSEBEAGW291CW01, HSEBXAGW131DW01, HSEBXAGW171FW28, HSEBXAGW541DW01, HSEBYAGW281CW01, HSEBYAGW291CW01 and NSEBXAGW301NW22
2	512273P	Wire Configuration Assembly	
3	512275P	Wire Configuration Assembly	
4	514094	Electronic Harness	Upper; Models HSEBDAGW291CW01, HSEBEAGW291CW01, HSEBXAGW131DW01, HSEBYAGW281CW01, HSEBYAGW291CW01 and SSEBXAGW131DW01
	513828	Electronic Harness	Upper; Models HSEBXAGW171FW28, HSEBXAGW541DW01, NSEBXAGW301NW22, NSEBXAGW301NW22, SSEBXAGW541DW01 and TSEBXAGW301NW22
5	514080	Wire Harness Assembly	Models HSEBDAGW291CW01, HSEBEAGW291CW01, HSEBYAGW281CW01 and HSEBYAGW291CW01
6	514082	Wire Harness Assembly	Models HSEBDAGW291CW01, HSEBEAGW291CW01, HSEBYAGW281CW01 and HSEBYAGW291CW01
7	514096	Electronic Harness	Lower; Models HSEBDAGW291CW01, HSEBEAGW291CW01, HSEBXAGW131DW01, HSEBXAGW541DW01, HSEBYAGW281CW01, HSEBYAGW291CW01 and SSEBXAGW131DW01
	513830	Electronic Harness	Lower; Models HSEBXAGW171FW28, NSEBXAGW301NW22, NSEBXAGW301NW22, SSEBXAGW541DW01 and TSEBXAGW301NW22

NOTE: Individual wires are not available separately. Order complete harness, or order wire by the foot. When applying terminals to wires, it is recommended that the terminals be soldered to the wires.

Parts Index

A

Access Panel and Guard Assembly 514252W	23
Access Panel Assembly 514250Q	23
514250WP	23
Access Panel Plate 510903	41
Adhesive 511637P	31, 33
Air Duct Assembly 510151LG	31
510151W	31
Anti-Seize Compound 27604P	27

B

Blower and Fan Kit 510717P	27
Blower Fan Assembly 510139P	27
Blower Housing 511969WP	27
Blower Housing Seal 510238P	27
Bolt 29651	7
Booster and Holding Coil 58804A	39
59063A	39
Bracket 510146	45
Bumper Pad 56128	41
Burner Assembly 510149P	39

C

Cabinet Rear Panel 510005P	41
Cabinet Side Panel 510001QP	41
510001WP	41
510002QP	41
510002WP	41
Card Reader Shield 801101	43
Caution Label 500253	23
Clean Lint Label 502804	23
Clip 201572	13

Coin Cabinet Hardware Kit 547P3	41
Coin Drop 38963P	11
70441601P	11
Coin Drop Assembly CK114	11
CK123	11
38462P	11
38463	11
38464P	11
38467	11
38472	11
38475	11
38519	11
38521	11
39157	11
70441602	11
70482401	11
Coin Drop Kit CK077	11
Coin Drop Wire Harness 201104	13
Coin Funnel Kit 523P3	7
Coin Identification Paper 38725	13
Coin Slide Guard 514726	7
Combustion Duct 510131	37
510132	37
Connector, 2 Circuit 58799	49
Connector, 3 Circuit 58800	51
Contactactor 70323701P	43
Contactactor Bracket 511859	43
Control Assembly 511867P	9
513139P	7
514273	9
Control Overlay 514668	9
514671	7
515058	9
Control Panel 514711W	5
514724Q	7
514724W	7
803964Q	15
803964W	15
Control Panel and Bracket Assembly 500228Q	7
500228W	5, 7
513778Q	9
513778W	9
Cylinder Assembly 510265LGP	31
510265WP	31

N/A items do not appear in index.

Cylinder Baffle	
510102LG	31
510102W	31
Cylinder Belt	
511255P	27
Cylinder Glide	
513710	31
Cylinder Glide Bracket	
510145	31
Cylinder Roller	
510708P	33
Cylinder Roller Bracket	
510100	33
Cylinder Seal Assembly	
510207P	31, 33

D

Damper	
58786	41
Din Rail	
M412693	43
Directional Exhaust Kit	
528P3	41
Door and Liner Assembly	
511636QP	21
511636WP	21
Door Catch Assembly	
510177	23
Door Handle Wedge	
510129LG	21
510129W	19, 21
Door Liner Grill	
503870LG	21
503870W	21
Door Pull and Wedge Kit	
510103QP	19, 21
510103WP	19, 21
Door Strike	
510181	19, 21
Door Strike Mount	
510127	19, 21
Drip Shield	
514327	23
Dryer Base	
514245	43
Dryer Door	
510013QP	19
510013WP	19
510082QP	21
510082WP	21
Dryer Door Assembly	
514114W	21
Dryer Door Window	
503982P	21
Dual Overlay	
39073	15

E

Elbow Shut-Off Valve	
510205	39

Electric Clearance Label	
511005	41
Electrical Shock Label	
F8211201	31
Electronic Coin Drop Assembly	
70294103P	13
70294104	13
70294105P	13
70294106	13
70294107	13
70294109	13
70294110	13
70294111	13
70294112	13
70294120	13
70294121	13

Electronic Coin Drop Kit	
CK099	13
CK100	13
CK101	13
CK103	13
CK106	13
CK108	13
CK109	13
CK110	13
CK113	13
CK115	13
CK120	13
CK121	13

Electronic Harness	
513828	55, 59, 61
513830	55, 59, 61
513833	55, 59
513835	55, 59
514094	61
514096	61

End Stop	
70121001	43

Exhaust Duct	
510137	41

Exhaust Warning Label	
500497	41

Expansion Clip	
70030501	5, 7, 15, 17

Extractor Tool	
128P4	53
190P4	53

F

Fabric Selector Switch	
61512	5

Felt Pad	
510189	31

Female Piggyback Terminal	
00361	49

Female Pin Terminal	
00117	51
00128	51
00130	51

Female Spade Terminal	
00112	49
00114	49
00115	49
00121	49

N/A items do not appear in index.

00124	49
00156	49
00189	49
00223	49
Female Tab Terminal	
00344	49
Female Terminal	
00188	53
00255	53
00256	53
Flexible Venting Kit	
521P3	41
Front Bulkhead Assembly	
510061	31
Front Panel	
510066QP	23
510066WP	23
Front Panel Assembly	
513781W	25
Front Panel Label	
514863	23
Front Panel Seal	
511056	23

G

Gas Clearance Label	
511004	41
Gas Valve Assembly	
60353P	39
Gas Valve Mounting Bracket	
510128	39
Glass Door Window	
513910	21
Glide Kit	
RB170003	31
Graphic Overlay	
514666	9
Grounding Clip	
00161	49

H

Harness Assembly	
511327	43
802905	11, 13
Harness Strap	
55881	51
Heat Duct Shroud	
510101	37
Heater Assembly	
510324P	35
510326P	35
510327P	35
510329P	35
510330P	35
Heater Duct and Screw Assembly	
510025P	35, 37
Heater Kit	
964P3	35
965P3	35

Heater Kit Assembly	
61927	35
61929	35
61930	35
Hinge	
511036	19, 21
Hold Down Kit	
526P3	43
Housing, 10 Position	
500338	53

I

Idler Lever	
510133	27
Idler Lever and Wheel Assembly	
510158	27
Idler Spring	
510185	27
Idler Wheel and Bearing Assembly	
510142P	27
Igniter and Bracket Assembly	
510184P	39
Insulated Female Spade Terminal	
00359	49
00360	51
Insulated Female Terminal	
00165	49

J

Jumper Assembly	
513246P	59, 61
Jumper Configuration Assembly	
M413507	9

K

Key	
54612	5, 7, 9

L

Label	
513372	41
805914	9
Lead-In Cord	
512019	47
Lead-In Cord Assembly	
503597	47
Lead-In Cord Kit	
61605P	47
Lead-In Pipe Assembly	
510204	39
Leveling Leg	
510135	43
Light	
32464	5
32519	5

N/A items do not appear in index.

801431	7
Limit Thermostat	
510701	35
510702	37
Liner and Seal Assembly	
510098LG	21
510098W	21
Liner Door Seal	
510147P	19, 21
Liner, Seal and Grill Assembly	
510163WP	19
Lint Filter	
503980LG	31
503980W	31
Lock Cam	
804338	5, 7, 9
Lock Kit	
27260P	5, 7, 9
L.P. Conversion Kit	
458P3	39
600P3	39

M

Male Pin Terminal	
00116	51
00127	51
00129	51
Male Tab Terminal	
00139	49
Manual Reset Thermostat	
M411941	29
Meter Case Assembly	
804009Q	15
804009W	15
804011Q	7
804011W	7
Motor and Pulley Assembly	
505843P	27
505869P	27
511629P	27
Motor Hub Ring Kit	
590P3	27
Motor Mount	
510060	27
Motor Mount Clamp	
510180	27
Motor Pulley	
500011	27
500222	27
Motor Shield	
514602	27
Mounting Tool Kit	
CK096	13

N

Nut	
201216	13
24205	5, 7
28447	33
29786	11, 15

29796	7
44071201	21
44087201	7
52566	27
52947	5, 7
56156	27, 33
N.G. Conversion Kit	
459P3	39

O

Outlet Cover	
500820	35, 37
Overlay	
201091	15
514371	5, 7
514665	9
514667	7
514672	9
514873	17

P

Panel Locator	
56079	23, 41
Pinched Fingers Label	
F8211301	31
Plug	
23040	51
54522	49
Plug, 1 Circuit	
26302	49
Plug, 2 Circuit	
56266	51
56448	51
Plug, 6 Circuit	
23041	49
Plug, 9 Circuit	
23033	49
Porcelain Touch-Up Paint	
122P4P	41
370P4P	41
Power Cord Assembly	
505945	47
506081	47
58992	47

R

Ratchet Extension Tool	
310P4	53
Rear Access Panel	
803998	5, 7, 15, 17
Rear Bulkhead Assembly	
510041	33
Receptacle Housing	
90789	49
Receptacle, 1 Circuit	
26301	49
Receptacle, 10 Circuit	
34596	49

N/A items do not appear in index.

Receptacle, 12 Circuit	
501333	49
56855	49
Receptacle, 2 Circuit	
56265	51
56451	51
Receptacle, 3 Circuit	
23039	51
36170	49
Receptacle, 6 Circuit	
26708	49
Receptacle, 9 Circuit	
26163	49
Resistor	
210100	9
Retaining Ring	
23748	27, 33
Ring Terminal	
00110	49
00111	49
Roller Kit	
RB170002	33
Rubber Foot	
501855	43

S

Screw	
20530	47
23222	35, 39
27328	5, 7
28448	33
31260	27
33562	23
36048	45
39733	23, 41
500226	21
500824	27
501285	31, 33
501524	9
502431	5
502535	29
503661	45
503688	5, 7, 9, 15, 17, 23, 27, 31, 33, 35, 37, 39, 41, 45
505295	19, 21, 31
505870	21
51782	37, 39
52864	31
56124	39
61199	33
62588	31
62853	23
70240301	5, 7, 15, 17
Seal Kit	
RB170001	31, 33
Secondary Coil	
58804B	39
59063B	39
Security Cabinet Front Assembly	
804147W	17
Security Cabinet Wire Harness Assembly	
510654P	55
Security Channel Assembly	
804104Q	7

Security Wrapper Assembly	
804104Q	15
Sensor	
510213	39
Shaft	
56461P	27, 33
Shield Bracket	
804018	5, 7, 9, 17
Single Overlay	
38717	15
Slide Extension Kit	
201915	7
Spade Terminal	
00245	49
Speed Clip	
28835	23
Strain Relief	
38384	47
502500	47
52113	47
52151	47
60298	47
Strain Relief Adapter	
502496	47
Switch	
512973	7, 15, 23
Switch Assembly	
55882	5, 7
Switch Knob	
39897	5, 7

T

Temperature Selector Switch	
511711	7
Terminal	
00252	49
00347	49
Terminal Block Assembly	
510190P	33
Terminal Block Shield	
510237	33
514330	33
Terminal Extractor Tool	
283P4	53
Thermal Fuse Assembly	
511412	35
Thermistor Assembly	
502366	29
510523	29
Thermostat	
510703	37
511887	29
Thermostat Shield	
514325	27
Timer	
510525P	5
Timer Knob	
54678	5
Timer Overlay	
514710	5
Top Hinge	
510136	45

N/A items do not appear in index.

Top Kit	
510032QP	45
510032WP	45
Torx Bit	
281P4	53
282P4	53
292P4	53
Torx Drive Tool	
93501	53
Transformer	
201375P	9
201587P	7
201616P	7
210018P	9
803527P	9
Transformer Kit	
511658P	43

513827	57
513837	55, 59
513838	55
513839	55, 59
513841	55, 59
513843	55, 59
513848	59
514080	61
514082	61
Wire Tie	
38663	51
Wire, 12 Gauge	
45380	55, 57, 59, 61
Wire, 18 Gauge	
45001	55, 57, 59, 61
Wrapper Assembly	
804104W	7, 15
804112W	5, 17

V

Valve Assembly	
60443P	39

W

Warning Label	
502825	23
512263	23
514226	23
Warning/Caution Label	
500281	23
Washer	
03815	7
25820	5, 7
28449	33
501307	45
504082	33
52549	27, 33
91176	5, 7
Window Clip	
513958	21
Window Trim	
503981Q	21
503981W	21
513960W	21
Wire Assembly	
510527	35
510528	35
Wire Clip	
504034	51
687500	51
Wire Configuration Assembly	
512273P	59, 61
512275P	59, 61
Wire Guard	
201595P	11
Wire Harness Assembly	
510468P	55
511303	43
511757	57
512422P	59, 61
513820	9
513825	57

N/A items do not appear in index.