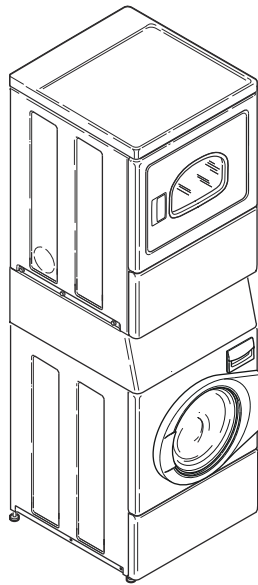


Commercial Stack Washer/Dryers

Refer to Page 5 for Model Numbers



SWD456C_806122

Table of Contents

Title	Page
Parts Ordering Information.....	3
Serial Plate Location	3
Model Identification	5
Control Panel and Controls (Drawing 1 of 3)	6
Control Panel and Controls (Drawing 2 of 3)	8
Control Panel and Controls (Drawing 3 of 3)	10
Control Panel and Cabinet Wrapper	12
Non-Electronic Coin Drop	14
Electronic Coin Drop	16
Card Reader and Non-Vend Control Cabinet	18
Front Panel, Door Assembly and Door Seal	20
Front Panel Assembly	22
Dispenser Assembly	24
Mixing Valve and Valve-to-Dispenser Hose	26
Fill Hose	28
Outer Tub, Front and Clamp Ring	30
Inner Basket, Trunnion, Bearing Housing and Pulley	32
Motor and Belt	34
Drain Hoses and Valve	36
Drain Hose and Pump	38
Base, Side Panels and Rear Panel	40
Washer Junction Box	42
Washer Lead-In Cord, Wire Ties and Harness Clips	44
Dryer Loading Door (Drawing 1 of 3)	46
Dryer Loading Door (Drawing 2 of 3)	48
Dryer Loading Door (Drawing 3 of 3)	50
Access Panel, Front Panel and Seal	52
Motor, Exhaust Fan and Belt	54
Thermistor, Shields and Idler Assembly	56
Front Bulkhead, Felt Seal and Cylinder	58
Air Duct Assembly	60
Rear Bulkhead, Felt Seal, Cylinder Roller and Terminal Block	62
Heater Duct and Element Assembly	64
Heater Duct Assembly	66
Gas Valve, Igniter and Gas Conversion Kits	68
Burner Orifice Spuds - For Higher Elevations	70
Dryer Cabinet, Exhaust Duct and Base	72
Dryer Power Cord	74
Dryer Terminals and Terminal Extractor Tools	76
Terminals	78
Dryer Labels	80

© Copyright 2016, Alliance Laundry Systems LLC

All rights reserved. No part of the contents of this book may be reproduced or transmitted in any form or by any means without the expressed written consent of the publisher.

Washer Labels	82
Shipping Materials	84
Special Tools	86
Washer Wire Harnesses and Wires	88
Dryer Wire Harnesses and Wires.....	90
Parts Index.....	93

Parts Ordering Information

If literature or replacement parts are required, contact the source from whom the machine was purchased or contact Alliance Laundry Systems at (920) 748-3950 for the name and address of the nearest authorized parts distributor.

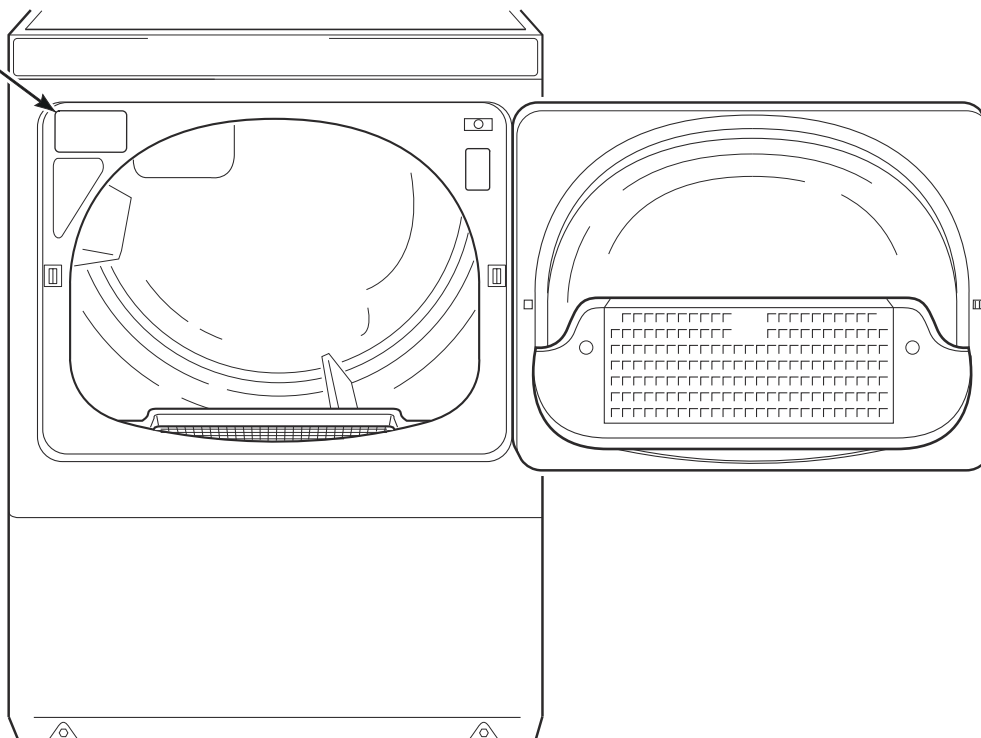
For technical assistance, call the number listed below:

(920) 748-3121 Ripon, Wisconsin

Serial Plate Location

When calling or writing about your product, be sure to mention model and serial numbers. Model and serial numbers are located on serial plate(s) as shown.

SERIAL PLATE



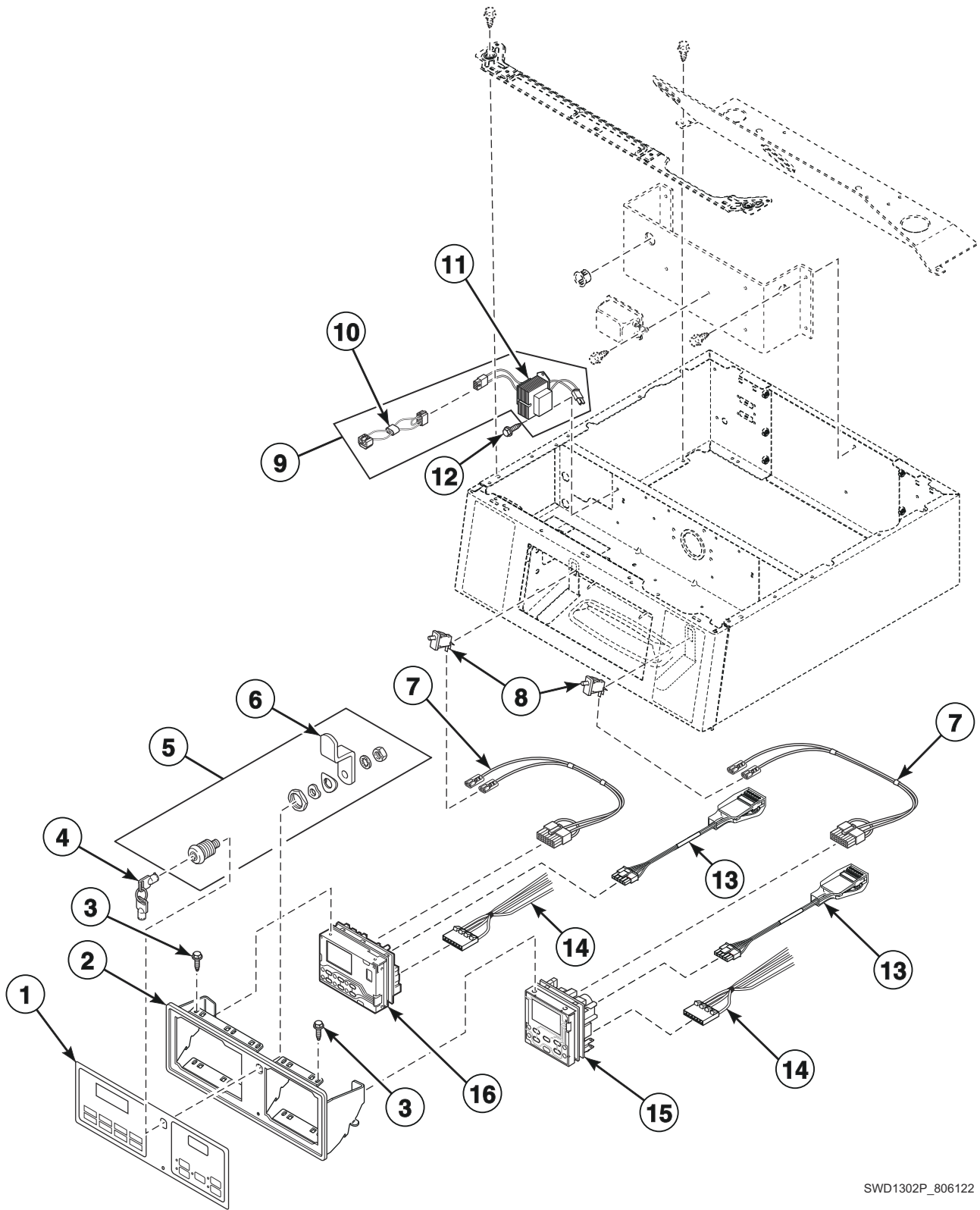
DRY2283P_806122

Model Identification

Information in this manual is applicable to these washer/dryer models:

BTEBCASP173TW01	STEBCASP173TQ01
BTEBEASP283CW01	STEBCASP173TW01
BTEBLASP433AW01	STEBXASP133DW01
BTEBXASP173FW28	STEBXASP173FW28
BTEBXASP433AW01	STEBXASP173TQ01
BTEBYASP173TW01	STEBXASP173TW01
BTGBCASP113TW01	STEBXASP303NW22
BTGBLASP303AW01	STEBXASP303UW01
BTGBXASP113FW28	STEBXASP433AW01
BTGBXASP303AW01	STEBXASP433AW12
BTGBYASP113TW01	STEBXASP543DW01
HTEBCASP173TW01	STEBXASP543ZW01
HTEBDASP283CW01	STEBYASP173TW01
HTEBXASP133DW01	STGBCASP113TW01
HTEBXASP173FW28	STGBXASG113TW01
HTEBXASP283CW01	STGBXASP113FW28
HTEBXASP293CW01	STGBXASP113TW01
HTEBXASP543DW01	STGBXASP123DW01
HTEBYASP283CW01	STGBXASP303AW01
HTGBCASP113TW01	STGBXASP303AW12
HTGBDASP093CW01	STGBXASP303NW22
HTGBXASP093CW01	STGBXASP303ZW01
HTGBXASP113FW28	STGBXASP543DW01
HTGBXASP123DW01	STGBYASP113TW01
HTGBXASP543DW01	TTEBXASP303NW22
HTGBYASP093CW01	
HTGBYASP113TW01	
NTEBXASP303NW01	
NTEBXASP303NW22	
NTGBXASP303NW01	
NTLXASP303NW26	

Control Panel and Controls (Drawing 1 of 3)

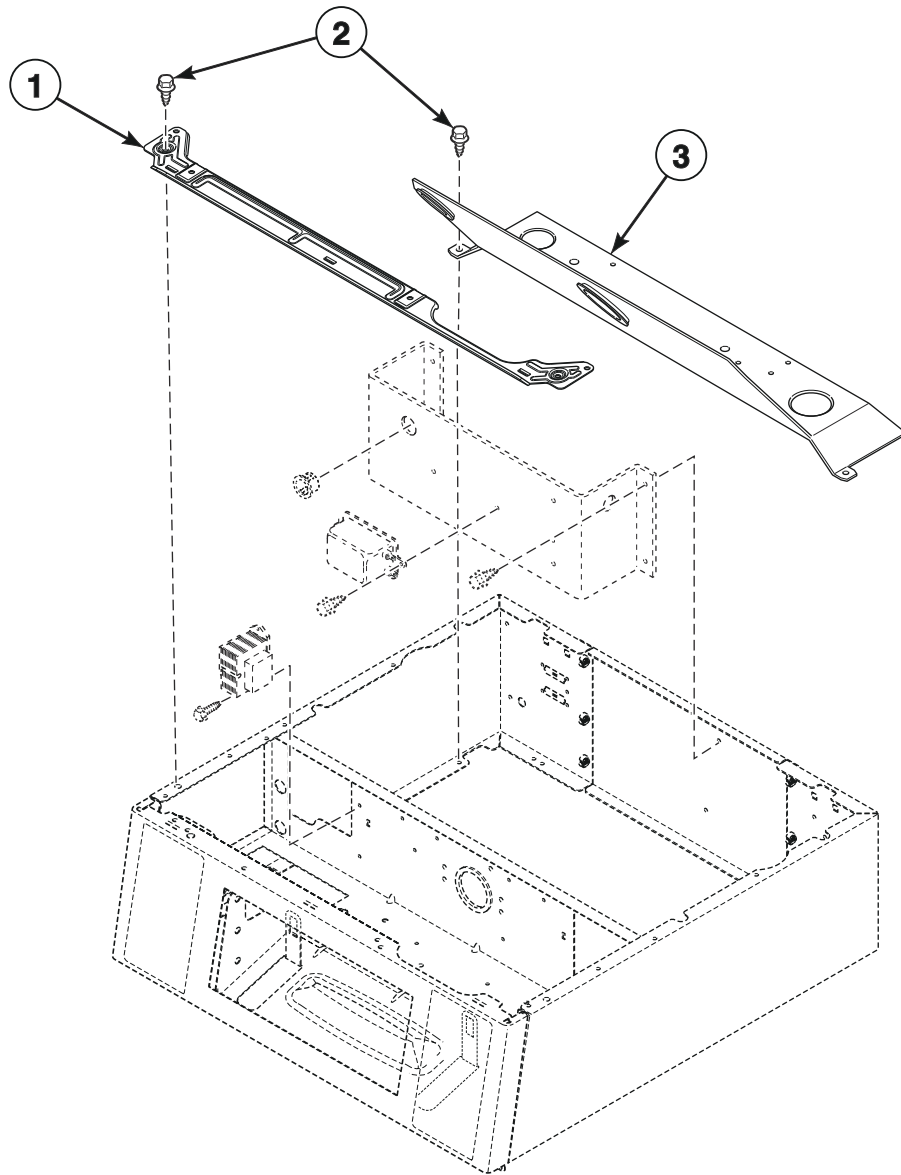


SWD1302P_806122

Control Panel and Controls (Drawing 1 of 3)

REF	PART NO.	DESCRIPTION	COMMENTS
1	805397	Overlay	HTE and HTG models
	805398	Overlay	Models BTEBCASP173TW01, BTEBEASP283CW01, BTEBXASP173FW28, BTEBYASP173TW01, BTGBCASP113TW01, BTGBXASP113FW28 and BTGBYASP113TW01; Models BTEBLASP433AW01, BTEBXASP433AW01, BTGBLASP303AW01 and BTGBXASP303AW01 through Serial Nos. beginning 1509
	806189	Overlay	Models BTEBLASP433AW01, BTEBXASP433AW01, BTGBLASP303AW01 and BTGBXASP303AW01 starting Serial Nos. beginning 1509
	805400	Overlay	Models NTEBXASP303NW01, NTEBXASP303NW22, NTGBXASP303NW01, NTLBXASP303NW26 and TTEBXASP303NW22
	805032	Overlay	Models STEBXASP303NW22, STEBXASP303UW01 and STGBXASP303NW22
	805396	Overlay	All other models
2	804069W	Control Panel Assembly	White
	804069B	Control Panel Assembly	Black
	804069DG	Control Panel Assembly	Dark gray
3	804608	Screw	
4	54612	Key	GR800
5	804339P	Lock Assembly	
6	804338	Lock Cam	
7	202868	Wiring Harness Assembly	
8	512973	Switch	
9	203423	Transformer Kit	120 Volt
	203424	Transformer Kit	240 Volt
10	804795	Transformer Harness	120 Volt
	805428	Transformer Harness	240 Volt
11	202757	Transformer	120 Volt
	202758	Transformer	240 Volt
12	503661	Screw	
13	203361P	Machine ID Control Assembly	Model or serial number is required when ordering
14	805427	Central Pay Harness	
15	514273P	Control Assembly	Dryer; Red LEDs; Models BTEBCASP173TW01, BTEBEASP283CW01, BTEBLASP433AW01, BTEBXASP173FW28, BTEBXASP433AW01, BTEBYASP173TW01, BTGBCASP113TW01, BTGBLASP303AW01, BTGBXASP113FW28, BTGBXASP303AW01 and BTGBYASP113TW01
	511867P	Control Assembly	Dryer; Green LEDs; All other models
	510036P	Membrane Switch	Use with 511867P Control Assembly
16	804472P	Control Assembly	Washer; Red LEDs; Models BTEBCASP173TW01, BTEBEASP283CW01, BTEBLASP433AW01, BTEBXASP173FW28, BTEBXASP433AW01, BTEBYASP173TW01, BTGBCASP113TW01, BTGBLASP303AW01, BTGBXASP113FW28, BTGBXASP303AW01 and BTGBYASP113TW01
	804471P	Control Assembly	Washer; Green LEDs; All other models

Control Panel and Controls (Drawing 2 of 3)



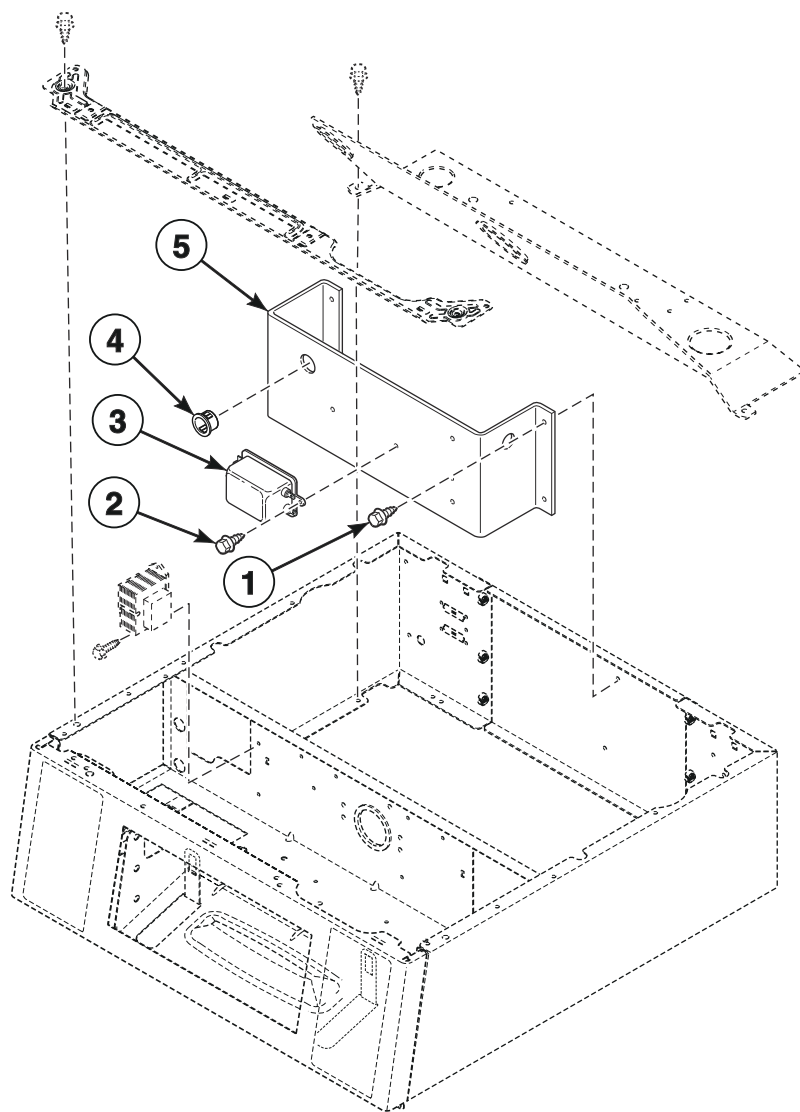
SWD1303P_806122

Control Panel and Controls (Drawing 2 of 3)

REF	PART NO.	DESCRIPTION	COMMENTS
1	804018	Shield Bracket	
2	503688	Screw	
3	804363	Control Shield	

Control Panel and Controls (Drawing 3 of 3)

Models BTEBLASP433AW01, BTEBXASP173FW28, BTEBXASP433AW01, BTGBLASP303AW01, BTGBXASP113FW28, BTGBXASP303AW01, HTEBXASP133DW01, HTEBXASP173FW28, HTEBXASP543DW01, HTGBXASP113FW28, HTGBXASP123DW01, HTGBXASP543DW01, NTEBXASP303NW01, NTEBXASP303NW22, NTGBXASP303NW01, NTLBXASP303NW26, STEBXASP133DW01, STEBXASP173FW28, STEBXASP303NW22, STEBXASP303UW01, STEBXASP433AW01, STEBXASP433AW12, STEBXASP543DW01, STEBXASP543ZW01, STGBXASP113FW28, STGBXASP123DW01, STGBXASP303AW01, STGBXASP303AW12, STGBXASP303NW22, STGBXASP303ZW01, STGBXASP543DW01 and TTEBXASP303NW22



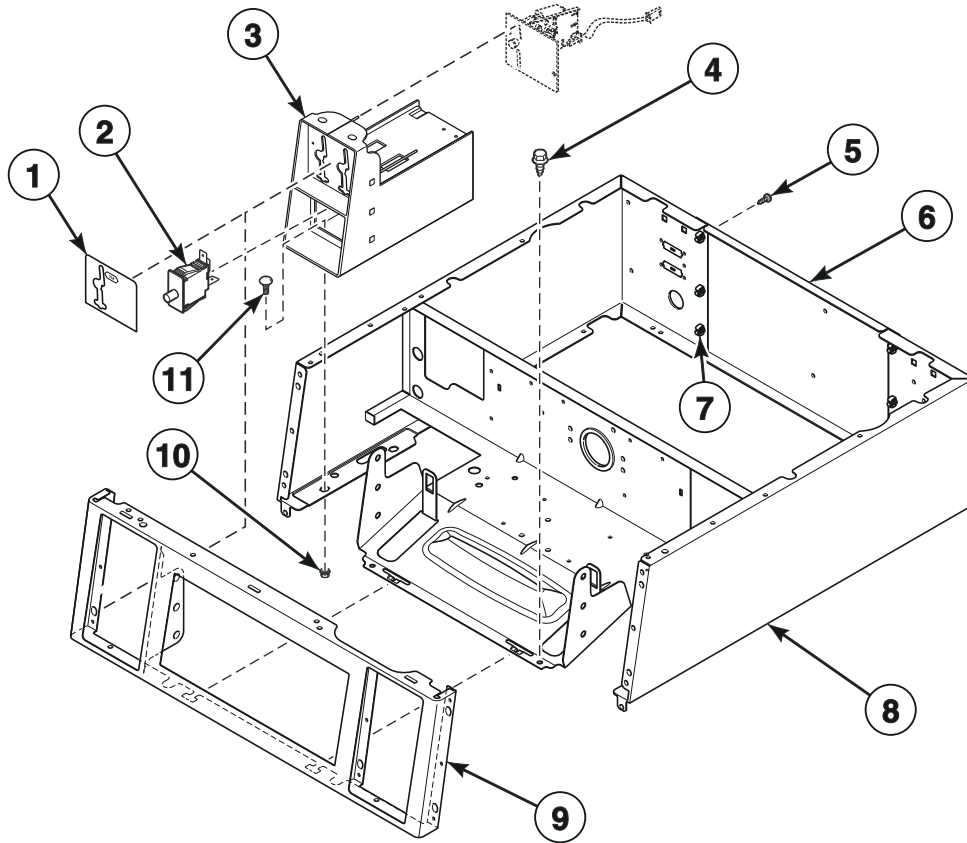
SWD1303PA_806122

Control Panel and Controls (Drawing 3 of 3)

REF	PART NO.	DESCRIPTION	COMMENTS
	805344	Terminal Block Drip Shield	Models BTEBLASP433AW01, BTEBXASP173FW28, BTEBXASP433AW01, BTGBLASP303AW01, BTGBXASP113FW28, BTGBXASP303AW01, HTEBXASP133DW01, HTEBXASP173FW28, HTEBXASP543DW01, HTGBXASP113FW28, HTGBXASP123DW01, HTGBXASP543DW01, STEBXASP133DW01, STEBXASP173FW28, STEBXASP303UW01, STEBXASP433AW01, STEBXASP433AW12, STEBXASP543DW01, STEBXASP543ZW01, STGBXASP113FW28, STGBXASP123DW01, STGBXASP303AW01, STGBXASP303AW12, STGBXASP303ZW01 and STGBXASP543DW01
1	503661	Screw	
2	501086	Screw	
3	805633	Line Filter	
	804797	Filter Harness	
4	M402542	Snap Bushing	
5	803988	Terminal Block Assembly	

Control Panel and Cabinet Wrapper

Coin Models



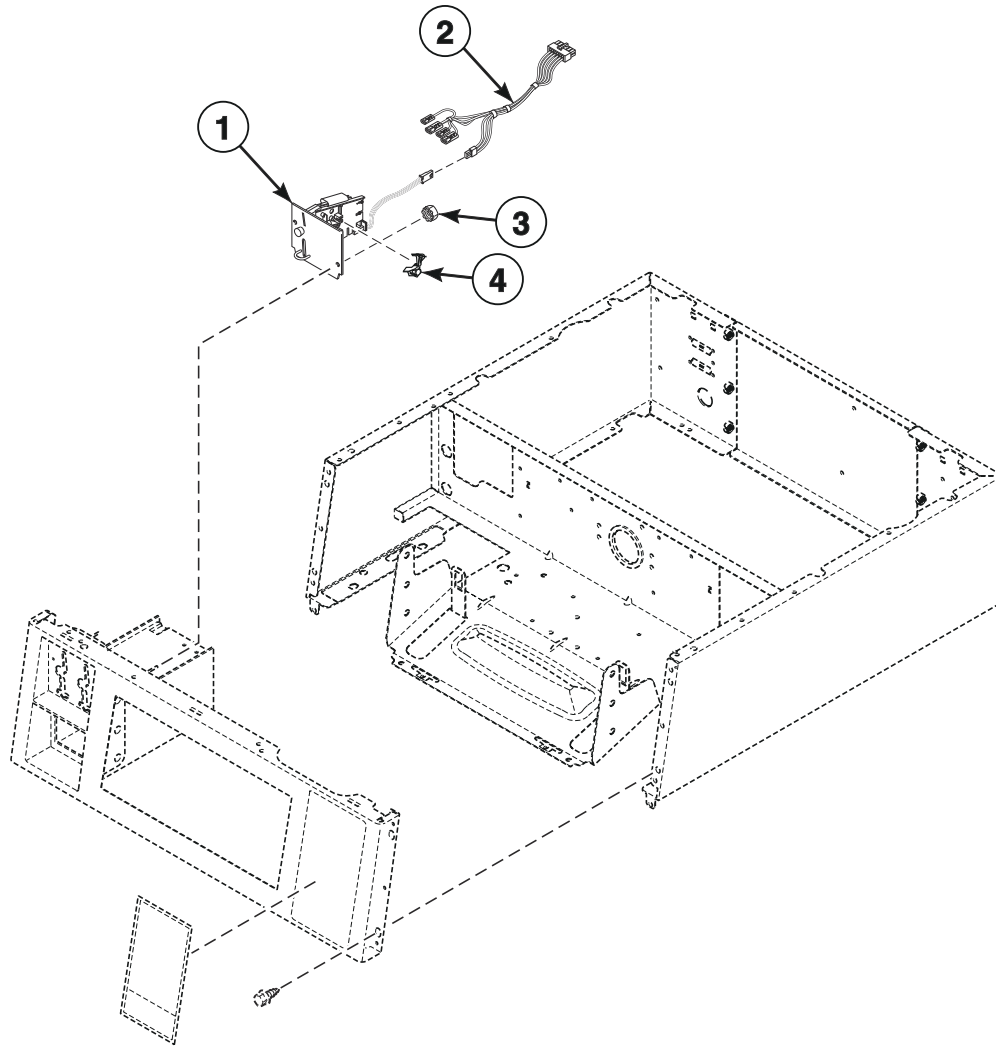
SWD1289P_806122

Control Panel and Cabinet Wrapper

REF	PART NO.	DESCRIPTION	COMMENTS
1	38717	Single Overlay	
	39073	Dual Overlay	
	38676	Overlay Kit	Dual drop; Includes coin identification paper
	201091	Overlay	For electronic coin drops
2	512973	Switch	
3	804009W	Meter Case Assembly	White
	804009Q	Meter Case Assembly	Bisque
4	503688	Screw	
5	70240301	Screw	
6	803998	Rear Access Panel	
7	70030501	Expansion Clip	
8	804104W	Wrapper Assembly	White
	804104Q	Wrapper Assembly	Bisque
9	803964W	Control Panel	White
	803964Q	Control Panel	Bisque
10	44087201	Nut	
11	29651	Bolt	

Non-Electronic Coin Drop

Coin Models



DRY2327P_806122

Non-Electronic Coin Drop

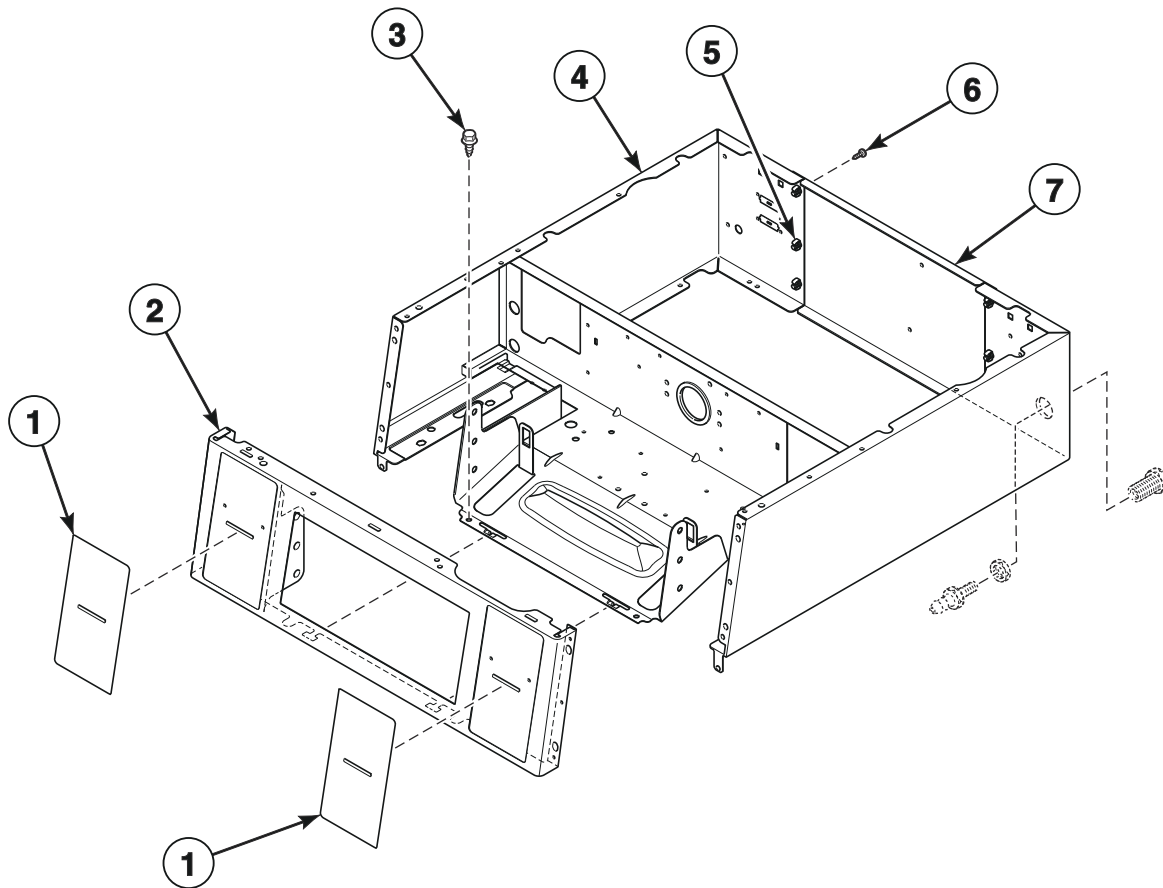
REF	PART NO.	DESCRIPTION	COMMENTS
1	38462P	Coin Drop Assembly	Token; 118-1 mzp; .880 diameter x .079 thick; Brass
	38463	Coin Drop Assembly	Token; 118-5 mzp; .990 diameter x .081 thick; Silver
	70441601P	Coin Drop	United States; \$.25
	38963P	Coin Drop	Token 118-16 not available; Replacement for 38963P Coin Drop only
	70441602	Coin Drop Assembly	Canada; .25 and 1.00
	38464P	Coin Drop Assembly	Canada; .25
	38467	Coin Drop Assembly	Australia; .20 and 1.00
	70482401	Coin Drop Assembly	New Zealand; 1.00 and 2.00
	38472	Coin Drop Assembly	England; 20 pence and 1 pound
	38519	Coin Drop Assembly	Japan; 100 yen and 500 yen
	38521	Coin Drop Assembly	Korea; 100 won and 500 won
	CK114	Coin Drop Assembly	Singapore; 1.00
	2	202870	Single Coin Harness Assembly
202871		Dual Coin Harness Assembly	Dual drop
3	29786	Nut	
4	201595P	Wire Guard	Anti-stringing security device; Add to coin drops

Electronic Coin Drop

REF	PART NO.	DESCRIPTION	COMMENTS
1	38725	Coin Identification Paper	
2	CK099	Electronic Coin Drop Kit	Australia, New Zealand, Hong Kong and South Korea; Includes items 1, 3, 6, 8 and 9
	CK100	Electronic Coin Drop Kit	Euro and Great Britain; Includes items 1, 3, 6, 8 and 9
	CK101	Electronic Coin Drop Kit	Euro, Denmark and Norway; Includes items 1, 3, 6, 8 and 9
	CK103	Electronic Coin Drop Kit	Euro, Lithuania and Latvia; Includes items 1, 3, 6, 8 and 9
	CK108	Electronic Coin Drop Kit	South Africa; Includes items 1, 3, 6, 8 and 9
	CK109	Electronic Coin Drop Kit	Euro; Includes items 1, 3, 6, 8 and 9
	CK110	Electronic Coin Drop Kit	Mexico, Ecuador and United States; Includes items 1, 3, 6, 8 and 9
	CK113	Electronic Coin Drop Kit	Japan and Taiwan; Includes items 1, 3, 6, 8 and 9
	CK115	Electronic Coin Drop Kit	United States and Canada; Includes items 1, 3, 6, 8 and 9
	CK116	Electronic Coin Drop Kit	Malaysia and China; Includes items 1, 3, 6, 8 and 9
	CK117	Electronic Coin Drop Kit	Russia; Includes items 1, 3, 6, 8 and 9
	CK118	Electronic Coin Drop Kit	Philippines; Includes items 1, 3, 6, 8 and 9
	CK120	Electronic Coin Drop Kit	Chile; Includes items 1, 3, 6, 8 and 9
	CK121	Electronic Coin Drop Kit	Singapore; Includes items 1, 3, 6, 8 and 9
3	201104	Coin Drop Wire Harness	
4	202871	Dual Coin Harness Assembly	
5	CK096	Mounting Tool Kit	
6	201572	Clip	
7	201375P	Transformer	
8	201216	Nut	
9	70294123	Electronic Coin Drop Assembly	Euro and Great Britain
	70294104	Electronic Coin Drop Assembly	Euro, Denmark and Norway
	70294105P	Electronic Coin Drop Assembly	Australia, New Zealand, Hong Kong and South Korea
	70294106	Electronic Coin Drop Assembly	Mexico, Ecuador and United States
	70294107	Electronic Coin Drop Assembly	Euro, Lithuania and Latvia
	70294110	Electronic Coin Drop Assembly	South Africa
	70294111	Electronic Coin Drop Assembly	Euro
	70294122	Electronic Coin Drop Assembly	Great Britain and token
	70294116	Electronic Coin Drop Assembly	Malaysia and China
	70294117	Electronic Coin Drop Assembly	Russia
	70294120	Electronic Coin Drop Assembly	Chile
	70294121	Electronic Coin Drop Assembly	Singapore

Card Reader and Non-Vend Control Cabinet

Card and Non-Vend Models

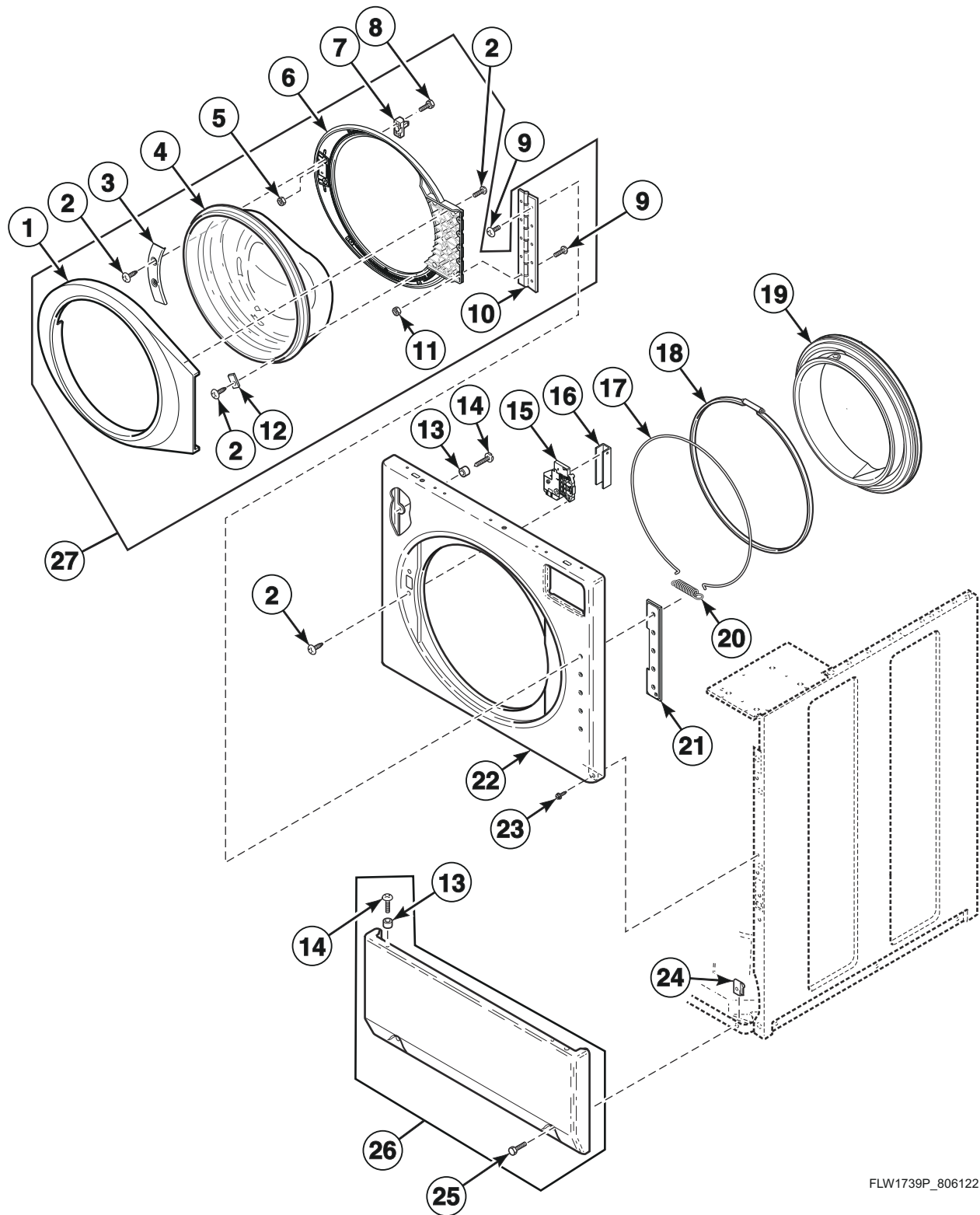


SWD1290P_806122

Card Reader and Non-Vend Control Cabinet

REF	PART NO.	DESCRIPTION	COMMENTS
	805667	Operation Instructions	Washer; Icon; Models BTEBLASP433AW01 and BTGBLASP303AW01
1	514391	Card Insert Overlay	Models BTEBYASP173TW01, BTGBYASP113TW01, STEBYASP173TW01 and STGBYASP113TW01
	514873	Overlay	Models HTEBYASP283CW01, HTGBYASP093CW01 and HTGBYASP113TW01
2	803972W	Control Panel	White; Models BTEBLASP433AW01 and BTGBLASP303AW01
	803968W	Control Panel	White; Models BTEBYASP173TW01, BTGBYASP113TW01, HTEBYASP283CW01, HTGBYASP093CW01, HTGBYASP113TW01, STEBYASP173TW01 and STGBYASP113TW01
3	503688	Screw	
4	804112W	Wrapper Assembly	White
5	70030501	Expansion Clip	
6	70240301	Screw	
7	803998	Rear Access Panel	

Front Panel, Door Assembly and Door Seal



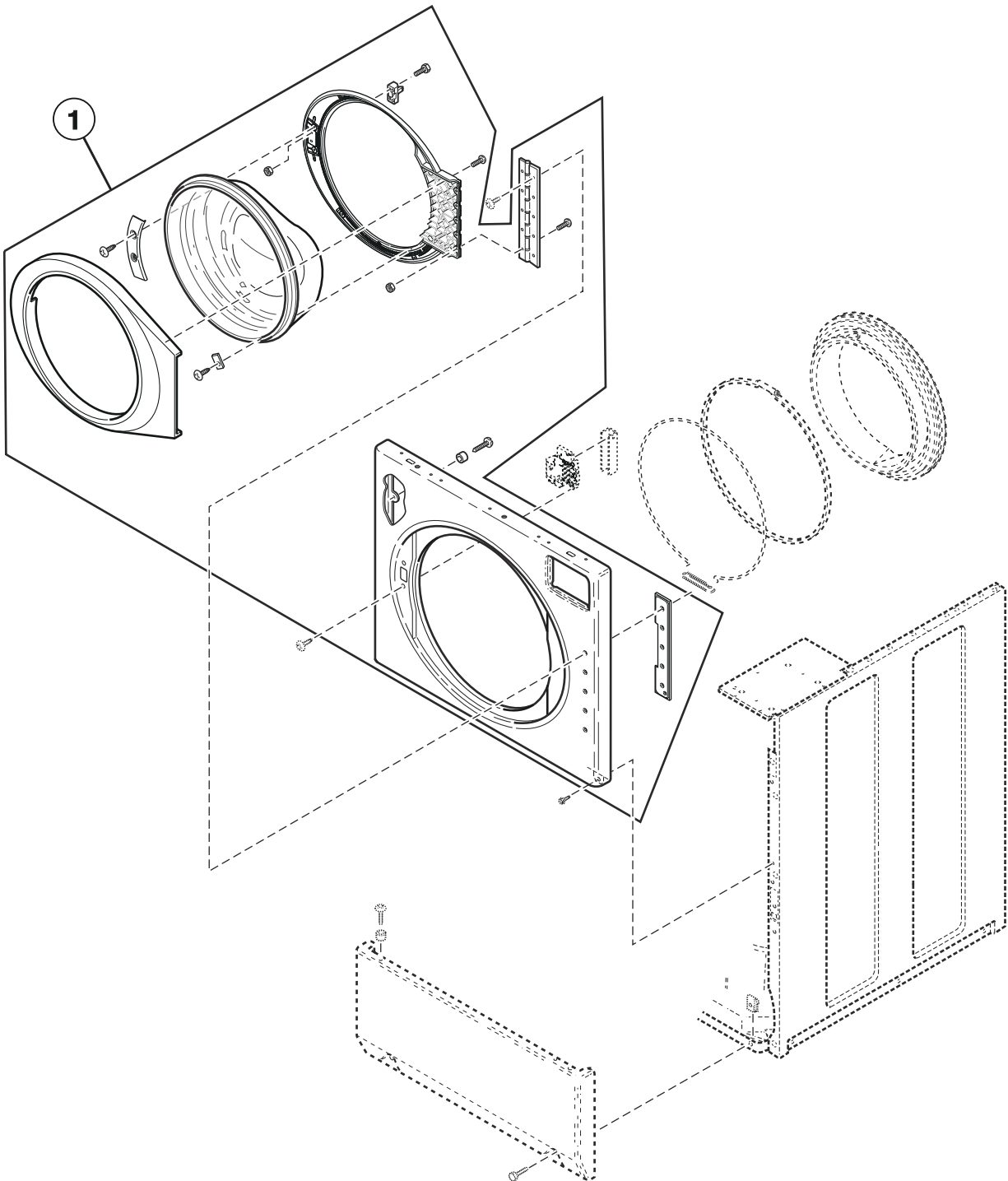
FLW1739P_806122

Front Panel, Door Assembly and Door Seal

REF	PART NO.	DESCRIPTION	COMMENTS
1	803710WP	Outer Door Bezel	White
	803711P	Outer Door Bezel	Gray
2	800548	Screw	
3	804239	Door Glass Mounting Plate	
4	802695P	Door Glass	
5	685846	Nut	
6	802307P	Inner Door Bezel Kit	White
	802331P	Inner Door Bezel Kit	Gray
	804562	Inner Door Bezel	White; Glass-filled polypropylene upgrade
7	802803	Door Catch Assembly	
8	801993	Screw	
9	801019	Screw	
10	802934	Door Hinge	
11	23951	Nut	
12	802700	Glass Mounting Clip	7 required
13	56079	Panel Locator	
14	39733	Screw	
15	803920	Door Latch Assembly	
16	804784	Door Lock Drip Shield	Models BTEBLASP433AW01, BTEBXASP173FW28, BTEBXASP433AW01, BTGBLASP303AW01, BTGBXASP113FW28, BTGBXASP303AW01, HTEBXASP133DW01, HTEBXASP173FW28, HTEBXASP543DW01, HTGBXASP113FW28, HTGBXASP123DW01, HTGBXASP543DW01, STEBXASP133DW01, STEBXASP173FW28, STEBXASP303UW01, STEBXASP433AW01, STEBXASP433AW12, STEBXASP543DW01, STEBXASP543ZW01, STGBXASP113FW28, STGBXASP123DW01, STGBXASP303AW01, STGBXASP303AW12, STGBXASP303ZW01 and STGBXASP543DW01
17	802283	Wire Clamp Ring	
18	802281	Hose Clamp	Seal to outer tub front
19	804428P	Door Seal	Black
	804429P	Door Seal Assembly	Gray
20	802285	Extension Spring	
21	802206	Hinge Plate	
22	802277WP	Front Panel	White
	802277QP	Front Panel	Bisque
23	503661	Screw	
24	36020	Nut	
25	801045	Screw	
26	804617W	Access Panel Assembly	White
	804617Q	Access Panel Assembly	Bisque
27	804083WP	Door Assembly	White; Includes items 1-12
	804210	Door Assembly	Gray; Includes items 1-12

Front Panel Assembly

Models BTEBCASP173TW01, BTEBYASP173TW01, BTGBCASP113TW01, BTGBYASP113TW01, HTEBCASP173TW01, HTGBCASP113TW01, HTGBYASP113TW01, STEBCASP173TW01, STEBXASP173TW01, STEBYASP173TW01, STGBCASP113TW01, STGBXASG113TW01, STGBXASP113TW01 and STGBYASP113TW01

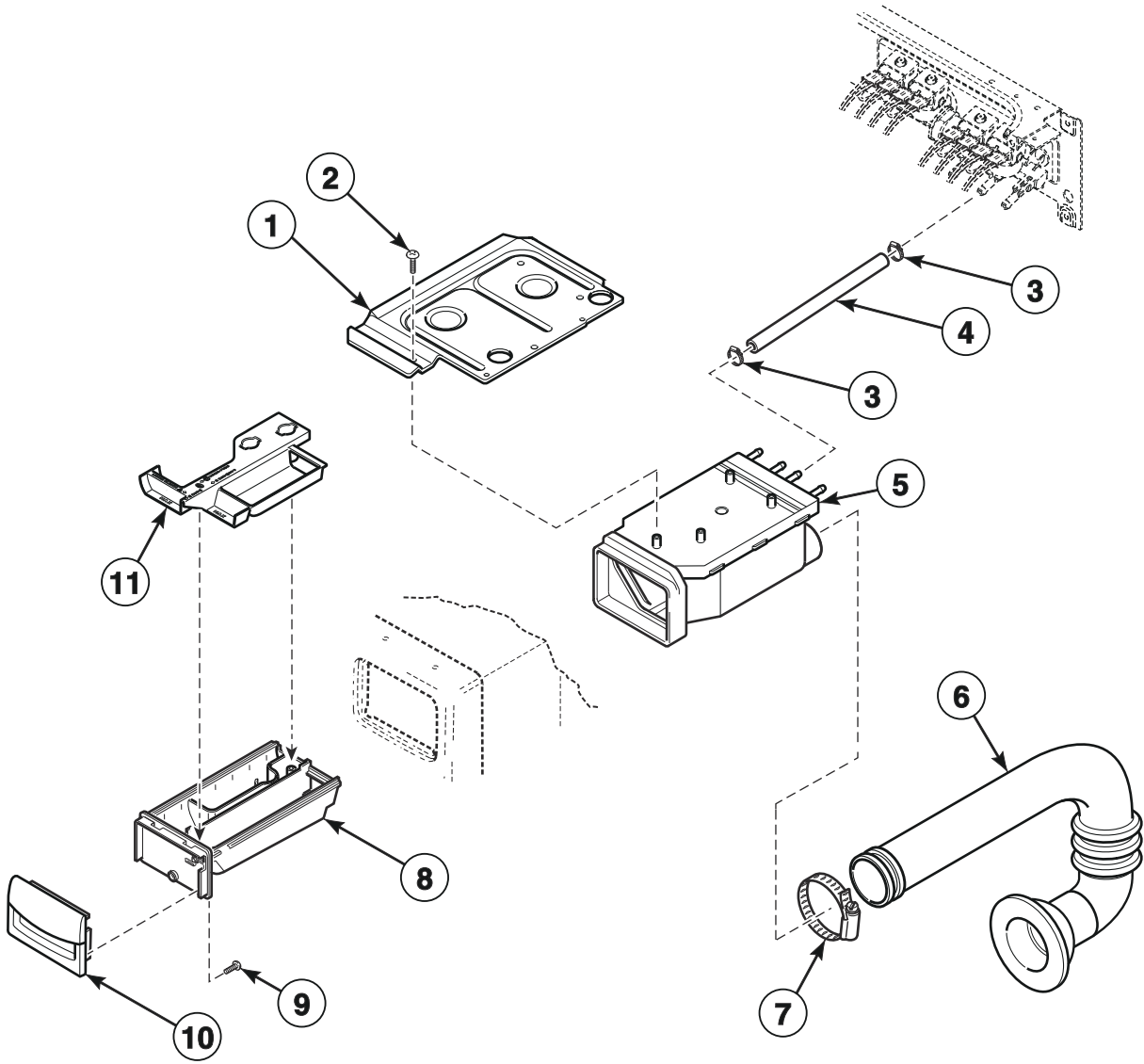


FLW1739PA_806122

Front Panel Assembly

REF	PART NO.	DESCRIPTION	COMMENTS
1	806505W	Front Panel Assembly Kit	White

Dispenser Assembly

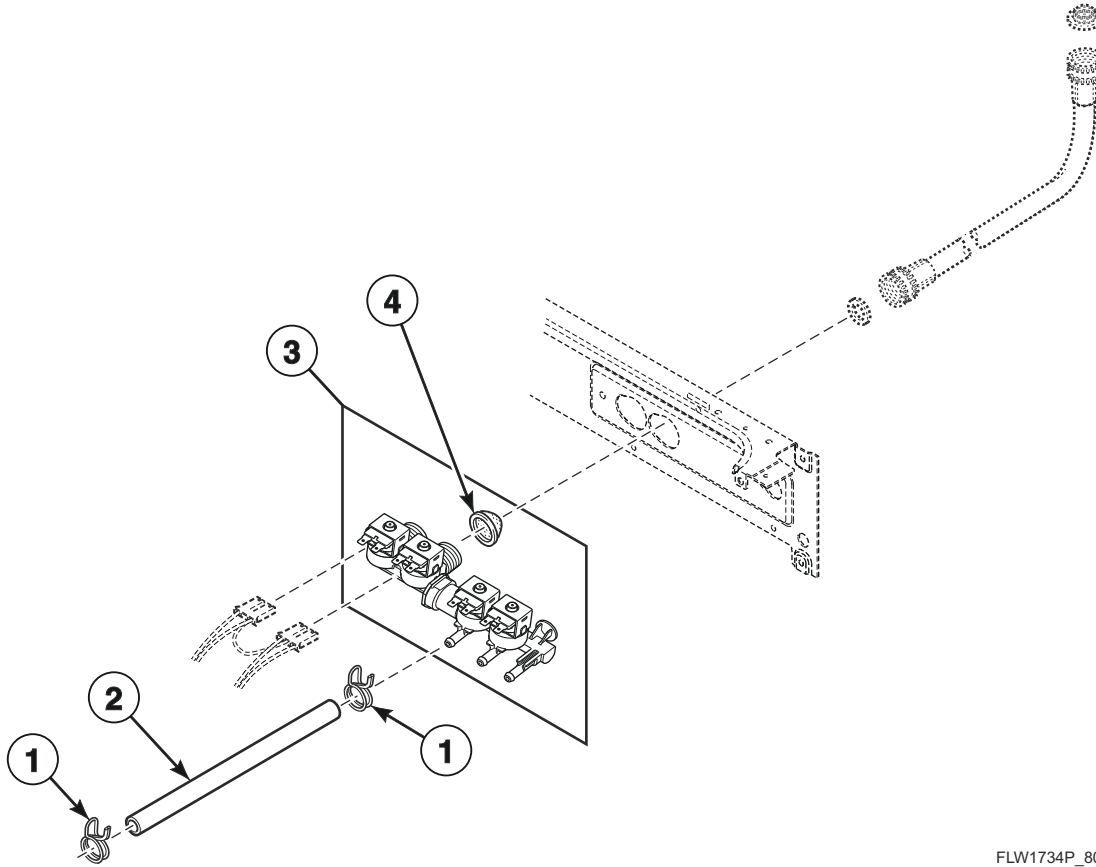


FLW1717P_806122

Dispenser Assembly

REF	PART NO.	DESCRIPTION	COMMENTS
	804875	Foam Pad	
1	803843	Dispenser Plate	
2	801001	Screw	
3	804173	Hose Clamp	
4	803849	Dispenser Inlet Hose	
5	803698	Dispenser Assembly	
6	804717	Detergent Hose	
7	685725	Hose Clamp	
8	803667	Dispenser Drawer	
9	800548	Screw	
10	804227WP	Dispenser Handle	White
11	803670	Compartment Cover	

Mixing Valve and Valve-to-Dispenser Hose

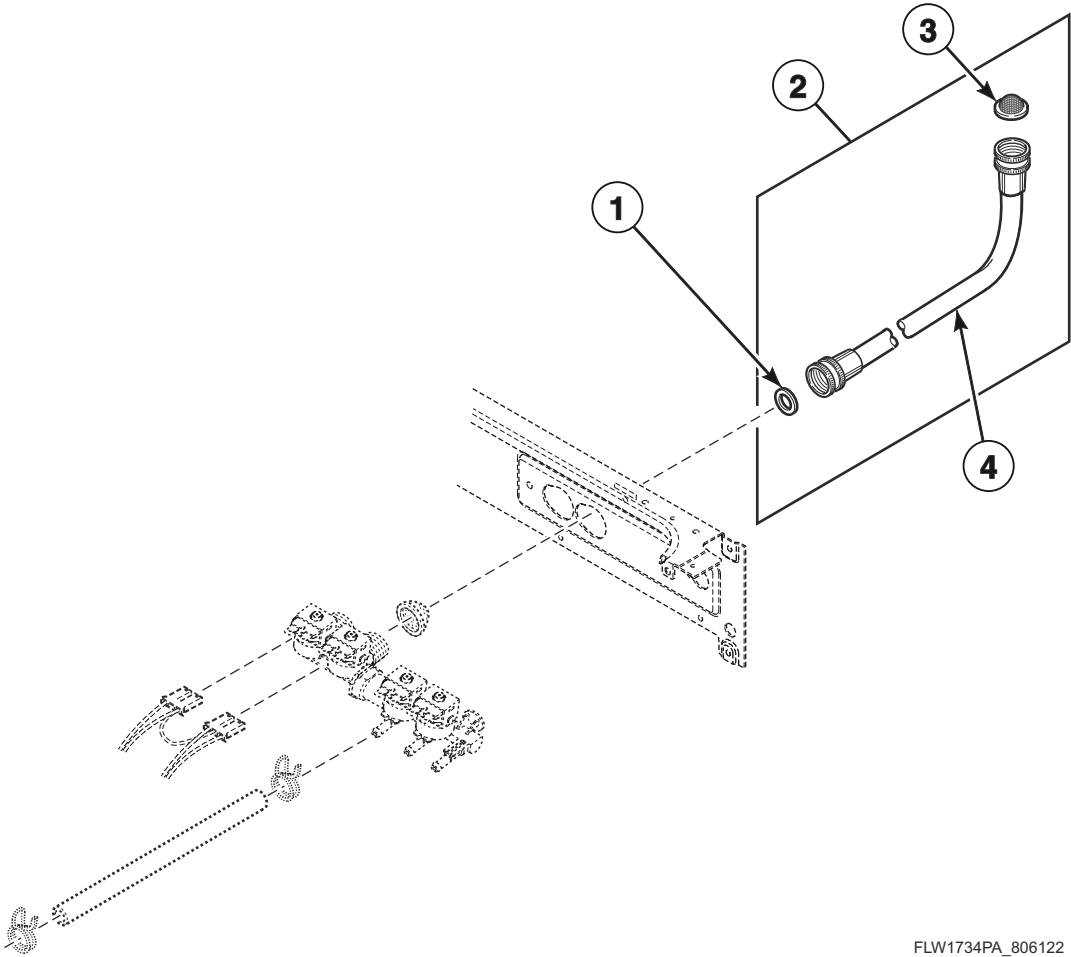


FLW1734P_806122

Mixing Valve and Valve-to-Dispenser Hose

REF	PART NO.	DESCRIPTION	COMMENTS
	804783	Mixing Valve Shield	Models BTEBLASP433AW01, BTEBXASP173FW28, BTEBXASP433AW01, BTGBLASP303AW01, BTGBXASP113FW28, BTGBXASP303AW01, HTEBXASP133DW01, HTEBXASP173FW28, HTEBXASP543DW01, HTGBXASP113FW28, HTGBXASP123DW01, HTGBXASP543DW01, STEBXASP133DW01, STEBXASP173FW28, STEBXASP303UW01, STEBXASP433AW01, STEBXASP433AW12, STEBXASP543DW01, STEBXASP543ZW01, STGBXASP113FW28, STGBXASP123DW01, STGBXASP303AW01, STGBXASP303AW12, STGBXASP303ZW01 and STGBXASP543DW01
1	804173	Hose Clamp	6 required
2	803849	Dispenser Inlet Hose	
3	803838P	Mixing Valve	240 Volt; Models BTEBLASP433AW01, BTEBXASP433AW01, BTGBLASP303AW01, BTGBXASP303AW01, HTEBXASP543DW01, HTGBXASP543DW01, NTEBXASP303NW01, NTEBXASP303NW22, NTGBXASP303NW01, NTLBXASP303NW26, STEBXASP303NW22, STEBXASP303UW01, STEBXASP433AW01, STEBXASP433AW12, STEBXASP543DW01, STEBXASP543ZW01, STGBXASP303AW01, STGBXASP303AW12, STGBXASP303NW22, STGBXASP303ZW01, STGBXASP543DW01 and TTEBXASP303NW22
	803809	Mixing Valve	120 Volt; All other models
4	24122	Mixing Valve Screen	

Fill Hose

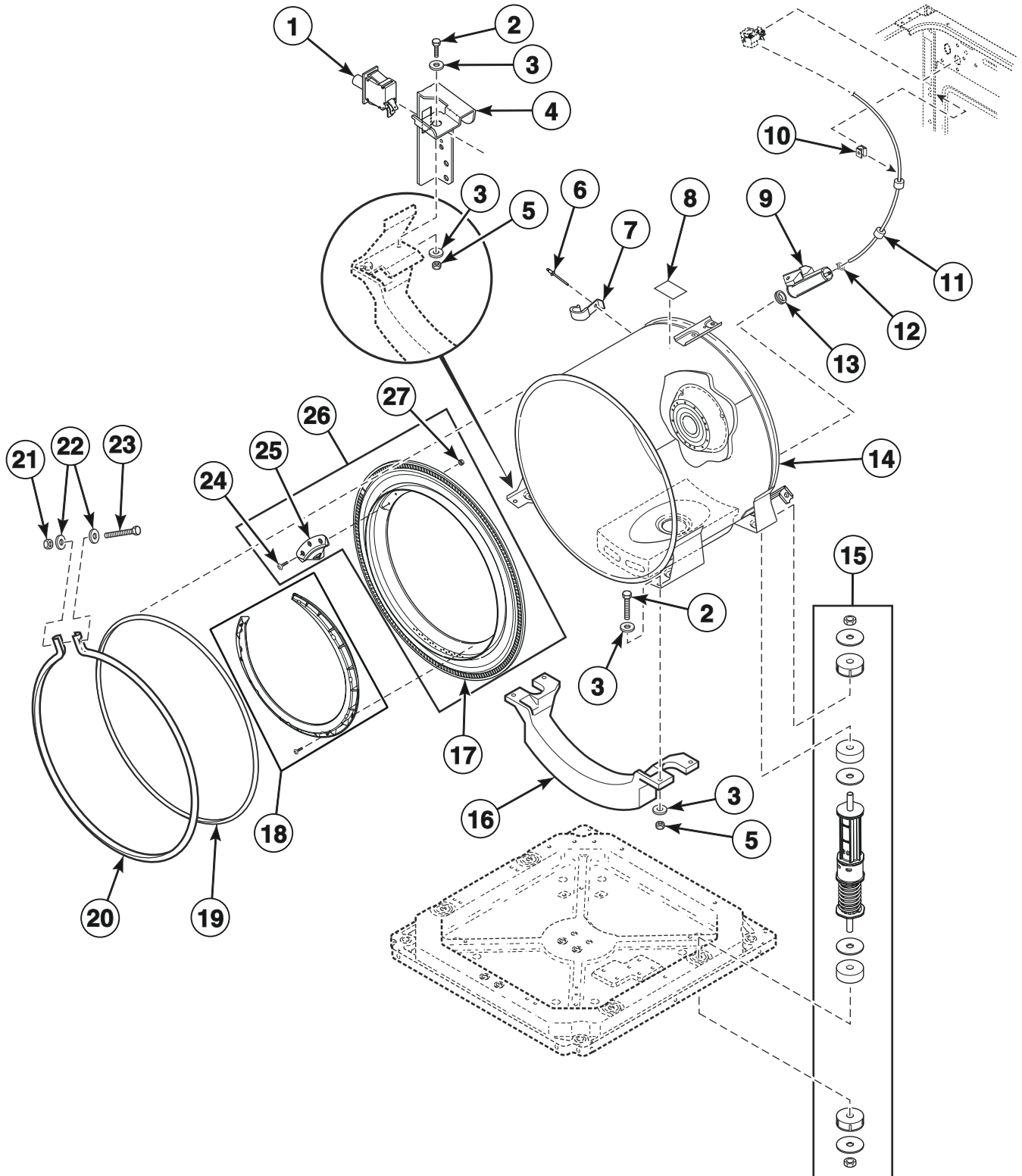


FLW1734PA_806122

Fill Hose

REF	PART NO.	DESCRIPTION	COMMENTS
1	20290	Washer	
2	203676	Hose and Washers Kit	Includes 2 of item 1; Models BTEBXASP173FW28, BTGBXASP113FW28, HTEBXASP133DW01, HTEBXASP173FW28, HTEBXASP543DW01, HTGBXASP113FW28, HTGBXASP123DW01, HTGBXASP543DW01, STEBXASP133DW01, STEBXASP173FW28, STEBXASP543DW01, STGBXASP113FW28, STGBXASP123DW01 and STGBXASP543DW01
	203675	Hose and Washers Kit	Includes 2 of item 1; Models BTEBLASP433AW01, BTEBXASP433AW01, BTGBLASP303AW01, BTGBXASP303AW01, NTEBXASP303NW01, NTEBXASP303NW22, NTGBXASP303NW01, NTLBXASP303NW26, STEBXASP303NW22, STEBXASP303UW01, STEBXASP433AW01, STEBXASP433AW12, STEBXASP543ZW01, STGBXASP303AW01, STGBXASP303AW12, STGBXASP303NW22, STGBXASP303ZW01 and TTEBXASP303NW22
	F200116	Water Hose	5 feet; Hose is equipped with 2 standard hose couplings; Includes items 5 and 7; All other models
3	803615	Washer	Filter screen
	802254	Washer	Flow restrictor; Water pressure reducer; Available for water pressure up to but not exceeding 120 psi
4	202799	Fill Hose	4 feet; Hose is equipped with 2 standard hose couplings; Models BTEBXASP173FW28, BTGBXASP113FW28, HTEBXASP133DW01, HTEBXASP173FW28, HTEBXASP543DW01, HTGBXASP113FW28, HTGBXASP123DW01, HTGBXASP543DW01, STEBXASP133DW01, STEBXASP173FW28, STEBXASP543DW01, STGBXASP113FW28, STGBXASP123DW01 and STGBXASP543DW01
	202800	Fill Hose	4 feet; Hose is equipped with 1 standard and 1 BSPP hose coupling; Models BTEBLASP433AW01, BTEBXASP433AW01, BTGBLASP303AW01, BTGBXASP303AW01, NTEBXASP303NW01, NTEBXASP303NW22, NTGBXASP303NW01, NTLBXASP303NW26, STEBXASP303NW22, STEBXASP303UW01, STEBXASP433AW01, STEBXASP433AW12, STEBXASP543ZW01, STGBXASP303AW01, STGBXASP303AW12, STGBXASP303NW22, STGBXASP303ZW01 and TTEBXASP303NW22
	F8498701	Fill Hose	5 feet; Hose is equipped with 2 standard hose couplings; Models BTEBXASP173FW28, BTGBXASP113FW28, HTEBXASP133DW01, HTEBXASP173FW28, HTEBXASP543DW01, HTGBXASP113FW28, HTGBXASP123DW01, HTGBXASP543DW01, STEBXASP133DW01, STEBXASP173FW28, STEBXASP543DW01, STGBXASP113FW28, STGBXASP123DW01 and STGBXASP543DW01
	202931	Fill Hose	10 feet; Hose is equipped with 1 standard and 1 BSPP hose coupling; Models BTEBLASP433AW01, BTEBXASP433AW01, BTGBLASP303AW01, BTGBXASP303AW01, NTEBXASP303NW01, NTEBXASP303NW22, NTGBXASP303NW01, NTLBXASP303NW26, STEBXASP303NW22, STEBXASP303UW01, STEBXASP433AW01, STEBXASP433AW12, STEBXASP543ZW01, STGBXASP303AW01, STGBXASP303AW12, STGBXASP303NW22, STGBXASP303ZW01 and TTEBXASP303NW22
	20617	Fill Hose	8 feet; Hose is equipped with 2 standard hose couplings; All other models
	20618	Fill Hose	10 feet; Hose is equipped with 2 standard hose couplings; All other models

Outer Tub, Front and Clamp Ring

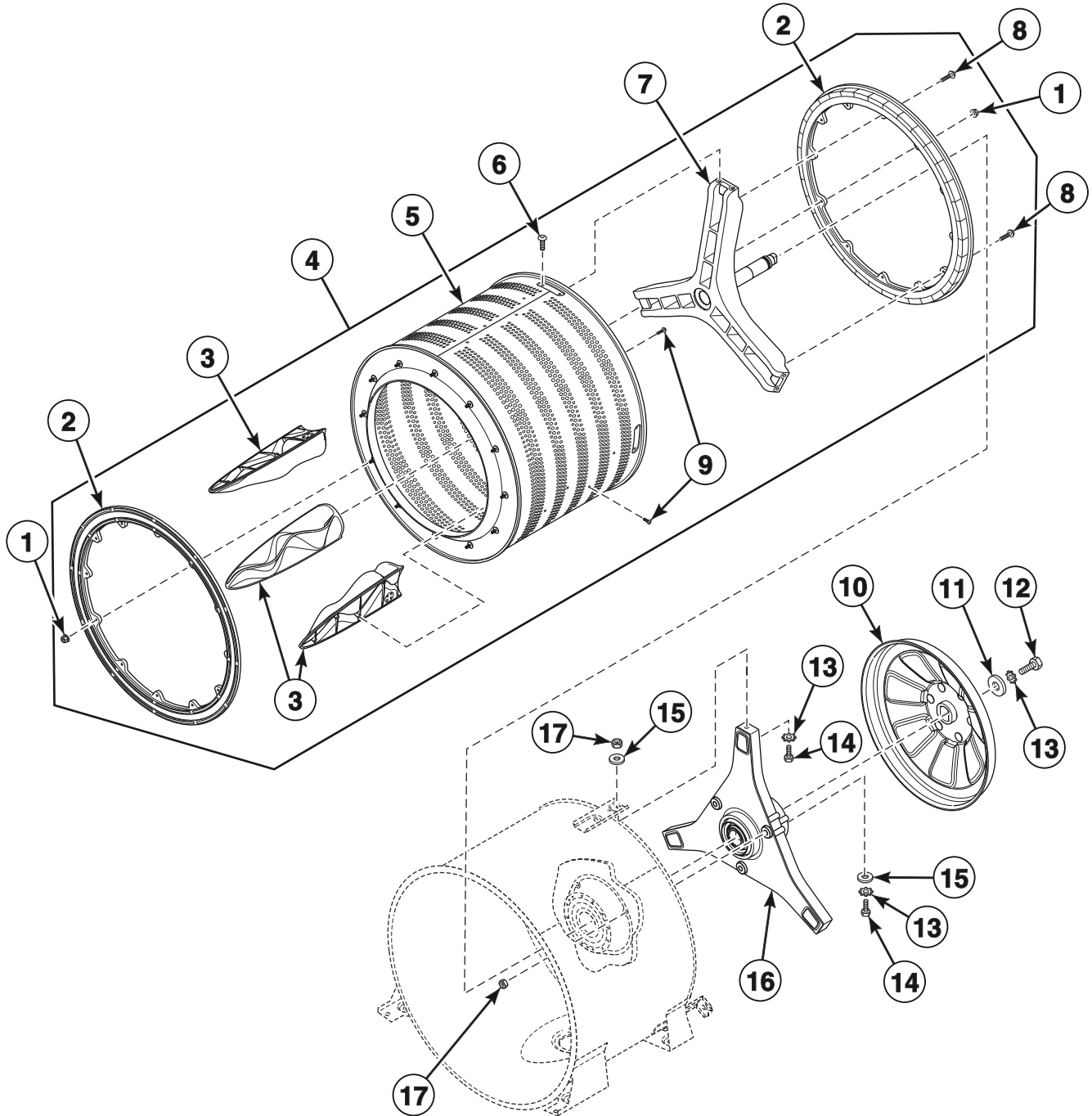


FLW1809P_806122

Outer Tub, Front and Clamp Ring

REF	PART NO.	DESCRIPTION	COMMENTS
1	803415	Out-of-Balance Switch Assembly	
2	800461	Screw	
3	804458	Washer	
4	804457	Out-of-Balance Switch Bracket	
5	800452	Nut	
6	685847	Pop Rivet	
7	800553	Hose Clip	
8	500049	Warning Label	
9	803837	Pressure Bulb	
10	36985	Hose Clip	
11	804483	Pressure Sensor Tube Assembly	
12	803891	Hose Clamp	
13	29175	Grommet	
14	803864	Outer Tub Assembly	
15	803777	Shock Assembly	Must replace all four
16	803810	Counterweight	
17	803770	Tub Front	
18	806308	Foreign Object Deflector	Black; Includes screws
	806313	Foreign Object Deflector	Tall; Gray; Includes screws
19	803801	Tub Front Seal	
20	803802	Clamp Ring	
21	F430218	Nut	
22	M400081	Washer	
23	800462	Screw	
24	802596	Screw	
25	804467	Clothes Guard Deflector	
	805548	Clothes Guard Deflector	Heavy duty
26	803879	Tub Front Assembly	Includes items 17, 24, 25 and 27
27	802343	Nut	

Inner Basket, Trunnion, Bearing Housing and Pulley

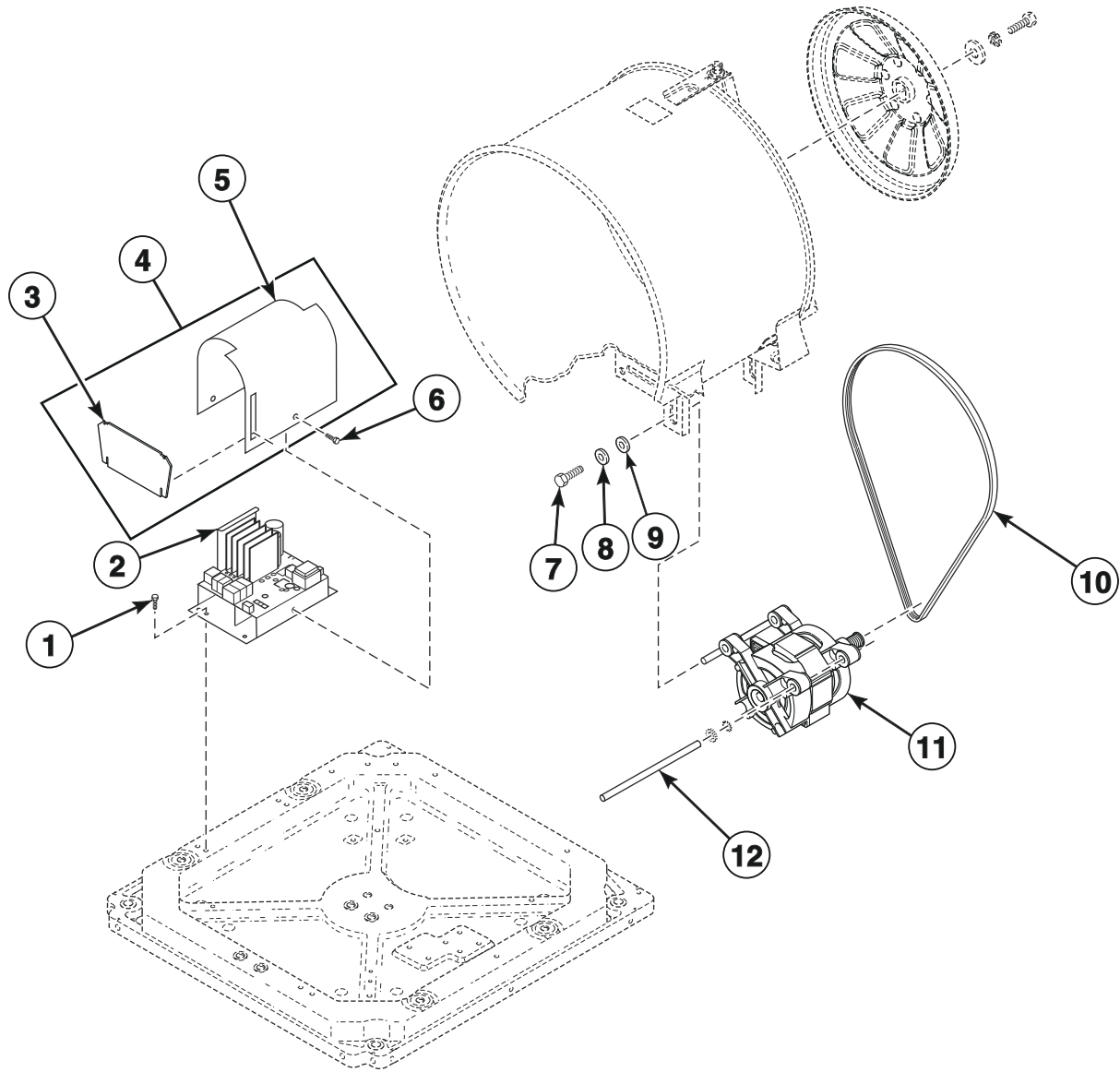


FLW1803P_806122

Inner Basket, Trunnion, Bearing Housing and Pulley

REF	PART NO.	DESCRIPTION	COMMENTS
	27604P	Anti-Seize Compound	Pulley to inner basket shaft
1	804418	Nut	
2	804393	Balance Ring Assembly	
3	804382	Lifter	
4	805485	Inner Basket Assembly	Includes items 1-3 and 5-9; Models STEBXASP433AW12 and STGBXASP303AW12
	804376P	Inner Basket Assembly Kit	Includes items 1-3 and 5-9; All other models
5	804374P	Inner Basket Assembly	
6	804699	Screw	
7	804405P	Trunnion Shaft Kit	
8	804399	Screw	
9	800548	Screw	
10	803974	Pulley Assembly	
11	800464	Washer	
12	685831	Screw	Left hand thread
13	M403958	Washer	
14	M400043	Screw	
15	800457	Washer	
16	805525	Bearing Housing Kit	Includes hardware and tool
17	800452	Nut	

Motor and Belt



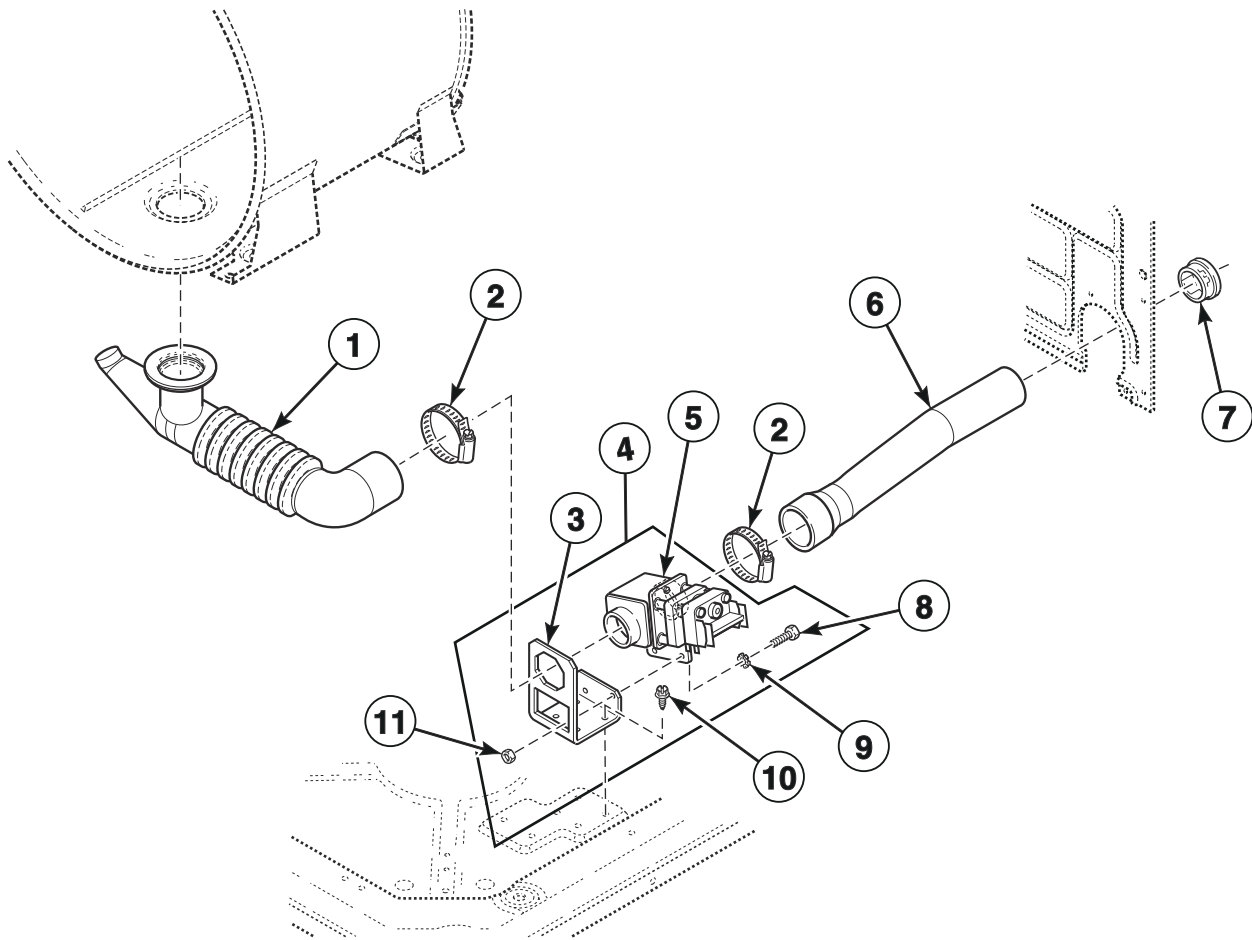
FLW1794P_806122

Motor and Belt

REF	PART NO.	DESCRIPTION	COMMENTS
1	503661	Screw	
2	803949P	Inverter Control Assembly	
3	806258	End Shield	Models BTEBLASP433AW01, BTEBXASP173FW28, BTEBXASP433AW01, BTGBLASP303AW01, BTGBXASP113FW28, BTGBXASP303AW01, HTEBXASP133DW01, HTEBXASP173FW28, HTEBXASP543DW01, HTGBXASP113FW28, HTGBXASP123DW01, HTGBXASP543DW01, STEBXASP133DW01, STEBXASP173FW28, STEBXASP303UW01, STEBXASP433AW01, STEBXASP433AW12, STEBXASP543DW01, STEBXASP543ZW01, STGBXASP113FW28, STGBXASP123DW01, STGBXASP303AW01, STGBXASP303AW12, STGBXASP303ZW01 and STGBXASP543DW01
4	806498	Motor Control Shield	Includes items 3 and 5; Models BTEBLASP433AW01, BTEBXASP173FW28, BTEBXASP433AW01, BTGBLASP303AW01, BTGBXASP113FW28, BTGBXASP303AW01, HTEBXASP133DW01, HTEBXASP173FW28, HTEBXASP543DW01, HTGBXASP113FW28, HTGBXASP123DW01, HTGBXASP543DW01, STEBXASP133DW01, STEBXASP173FW28, STEBXASP303UW01, STEBXASP433AW01, STEBXASP433AW12, STEBXASP543DW01, STEBXASP543ZW01, STGBXASP113FW28, STGBXASP123DW01, STGBXASP303AW01, STGBXASP303AW12, STGBXASP303ZW01 and STGBXASP543DW01
5	804878	Motor Control Shield	
6	501524	Screw	
7	M400057	Screw	
8	02834	Washer	
9	M400080	Washer	
10	804985	Drive Belt	
11	805726P	Motor and Rod Assembly Kit	Includes item 12
12	803861	Motor Rod	

Drain Hoses and Valve

Model STGBXASG113TW01

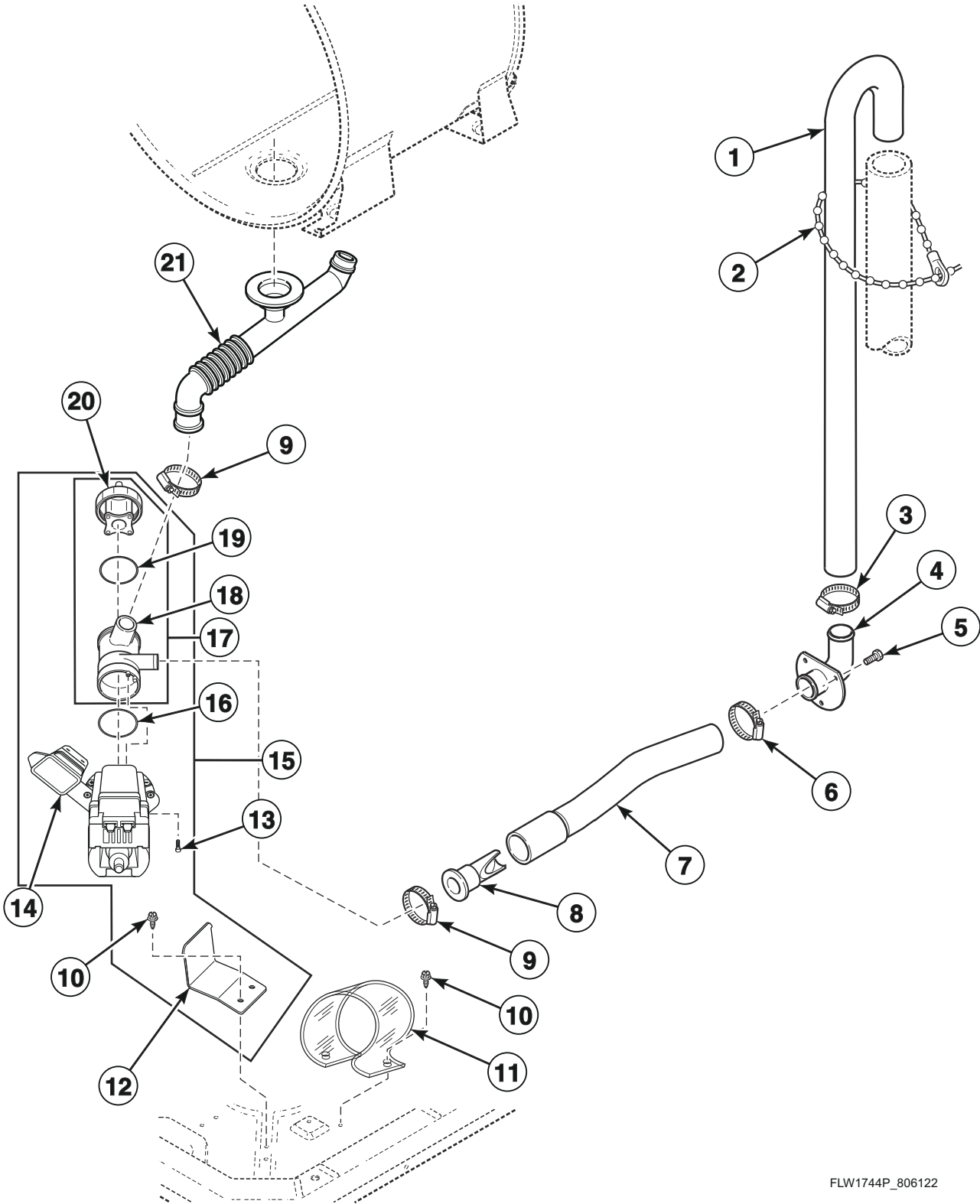


FLW1745P_806122

Drain Hoses and Valve

REF	PART NO.	DESCRIPTION	COMMENTS
1	803874	Tub-to-Gravity Drain Hose	
2	685725	Hose Clamp	
3	803291	Gravity Drain Bracket	
4	F975P3	Drain Valve Kit	120 Volt
5	803293	Drain Valve	120 Volt
6	800903	Drain-to-Cabinet Hose	
7	503235	Snap Bushing	
8	02916	Screw	
9	M400017	Washer	
10	503661	Screw	
11	29786	Nut	

Drain Hose and Pump

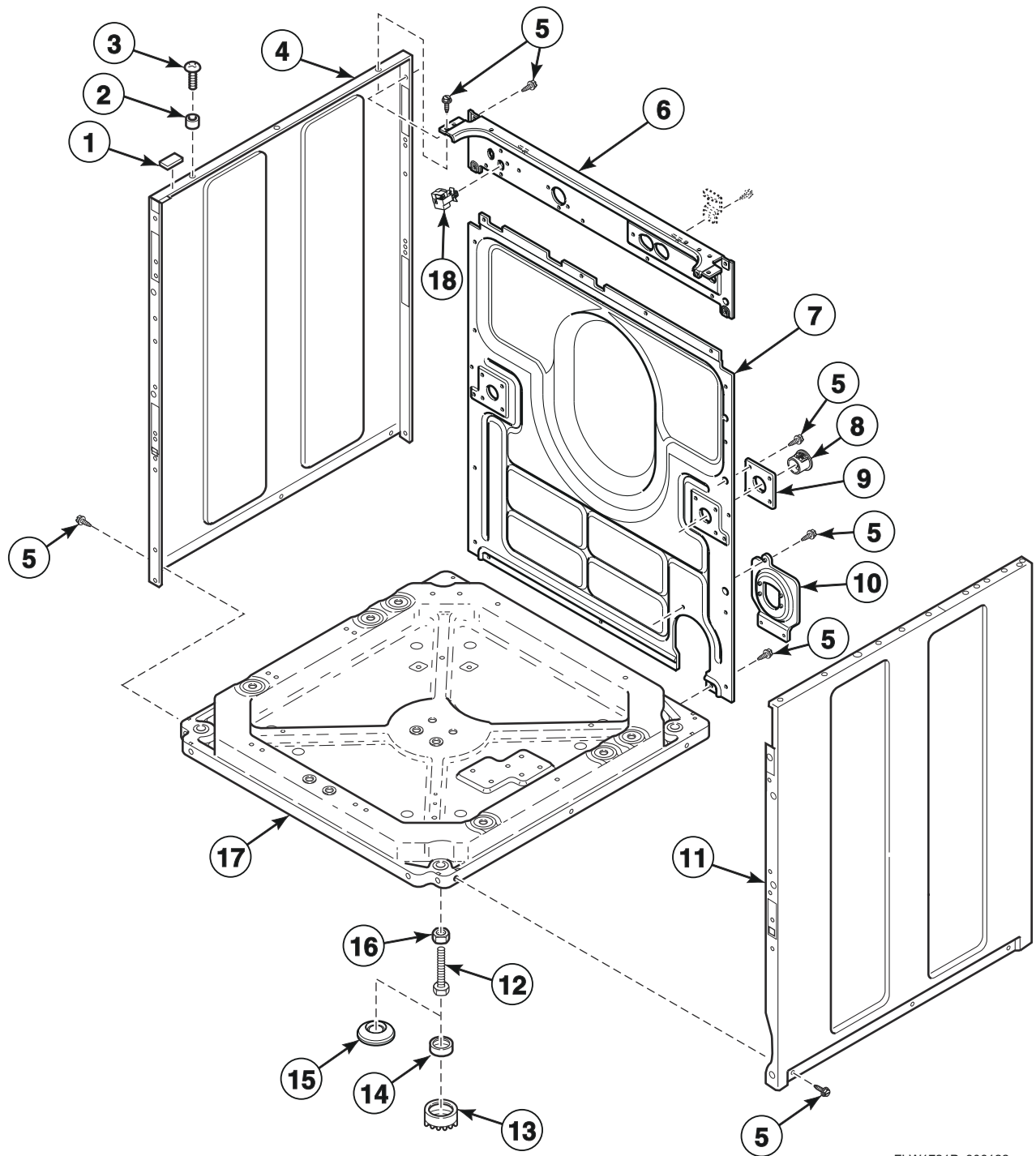


FLW1744P_806122

Drain Hose and Pump

REF	PART NO.	DESCRIPTION	COMMENTS
1	27154	Drain Hose	
2	33489	Standpipe Strap	
3	20211	Hose Clamp	
4	35766	Drain Hose Elbow	
5	52909	Screw	
6	20391	Hose Clamp	
7	803734	Pump-to-Elbow Hose	
8	800310	Backflow Preventer	
9	F200204	Hose Clamp	
10	503661	Screw	
11	805561	Drain Pump Drip Shield	Models BTEBLASP433AW01, BTEBXASP173FW28, BTEBXASP433AW01, BTGBLASP303AW01, BTGBXASP113FW28, BTGBXASP303AW01, HTEBXASP133DW01, HTEBXASP173FW28, HTEBXASP543DW01, HTGBXASP113FW28, HTGBXASP123DW01, HTGBXASP543DW01, STEBXASP133DW01, STEBXASP173FW28, STEBXASP303UW01, STEBXASP433AW01, STEBXASP433AW12, STEBXASP543DW01, STEBXASP543ZW01, STGBXASP113FW28, STGBXASP123DW01, STGBXASP303AW01, STGBXASP303AW12, STGBXASP303ZW01 and STGBXASP543DW01
12	803814	Drain Base Bracket	
13	802431	Screw	
14	803815	Drain Pump Isolator	
15	805722P	Drain Pump Assembly	208-240 Volt; 60 Hertz; Includes items 10, 12-14 and 16-20; Models HTEBXASP543DW01, HTGBXASP543DW01, STEBXASP543DW01, STEBXASP543ZW01 and STGBXASP543DW01
	803922	Drain Pump Assembly	220-240 Volt; 50 Hertz; Includes items 10, 12-14 and 16-20; Models BTEBLASP433AW01, BTEBXASP433AW01, BTGBLASP303AW01, BTGBXASP303AW01, NTEBXASP303NW01, NTEBXASP303NW22, NTGBXASP303NW01, NTLBXASP303NW26, STEBXASP303NW22, STEBXASP303UW01, STEBXASP433AW01, STEBXASP433AW12, STGBXASP303AW01, STGBXASP303AW12, STGBXASP303NW22, STGBXASP303ZW01 and TTEBXASP303NW22
	805724P	Drain Pump Assembly	100-127 Volt; 60 Hertz; Includes items 10, 12-14 and 16-20; Models BTEBXASP173FW28, BTGBXASP113FW28, HTEBXASP133DW01, HTEBXASP173FW28, HTGBXASP113FW28, HTGBXASP123DW01, STEBXASP133DW01, STEBXASP173FW28, STGBXASP113FW28 and STGBXASP123DW01
	803921P	Drain Pump Assembly	120 Volt; 60 Hertz; Includes items 10, 12-14 and 16-20; All other models
16	802429P	O-Ring	
17	802434P	Pump Housing Assembly	Includes items 18-20
18	802428	Pump Housing	
19	802427	Gasket	
20	802426P	Lid Assembly	Includes filter
21	803829	Tub-to-Pump Hose	
	27615P	Sealant	Tub-to-pump hose to outer tub

Base, Side Panels and Rear Panel



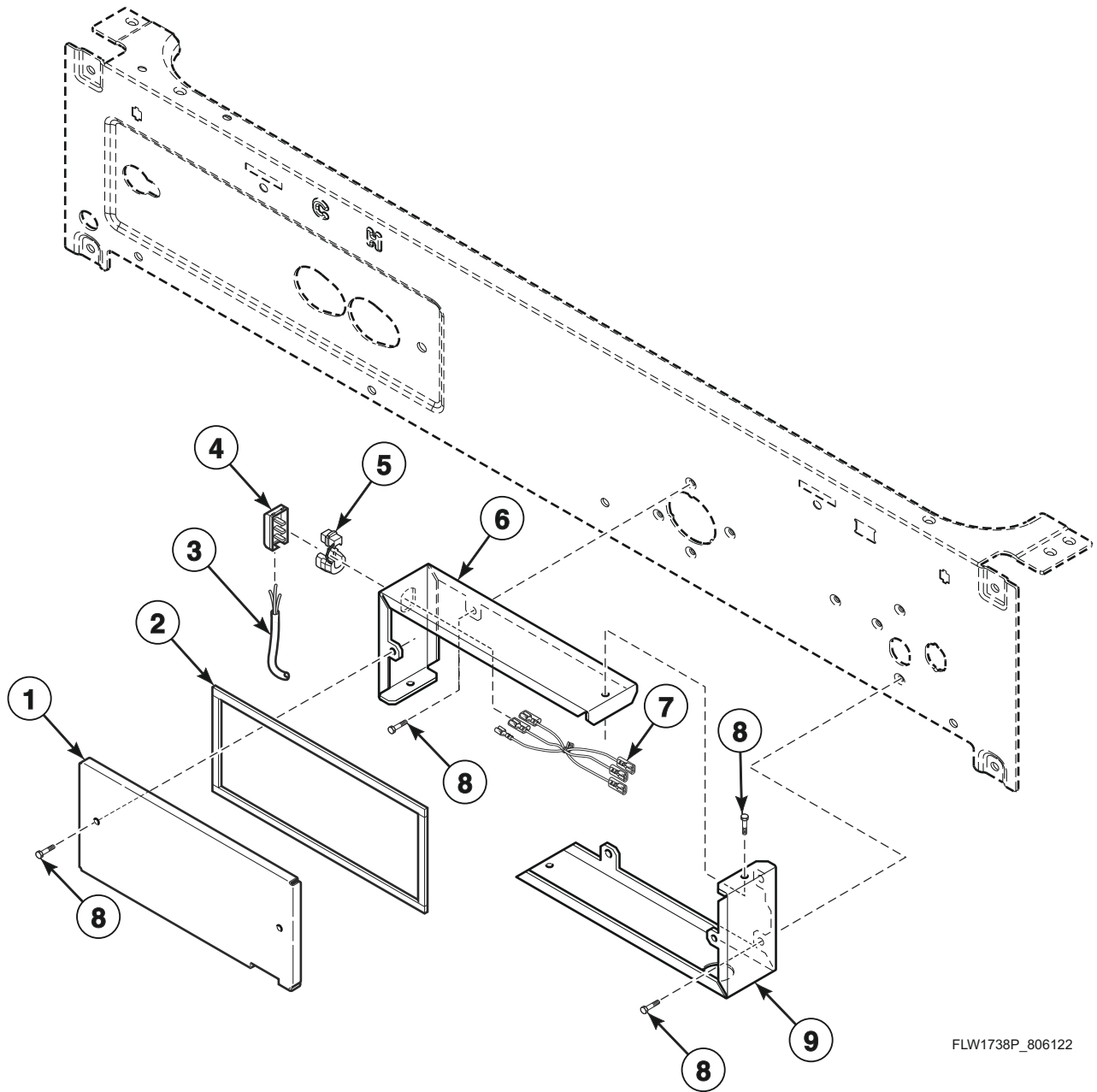
FLW1721P_806122

Base, Side Panels and Rear Panel

REF	PART NO.	DESCRIPTION	COMMENTS
	122P4P	Porcelain Touch-Up Paint	White
1	36226	Bumper Pad	
2	56079	Panel Locator	
3	39733	Screw	
4	800004WP	Cabinet Panel Kit	Left; White; Includes corner gusset with hardware
	800004QP	Cabinet Panel Kit	Left; Bisque
5	503661	Screw	
6	803790	Rear Panel	Fixed
7	803789	Rear Panel	Removable
8	803859	Shipping Plug	
9	803851	Shipping Plate	
10	803828	Drain Hose Bracket	
11	806492	Side Panel Kit	Right; White
	800005QP	Side Panel Kit	Right; Bisque
12	34319	Leveling Leg	
13	501855	Rubber Foot	Use to prevent movement on smooth surface floor coverings; Install over two existing front rubber feet (item 14)
14	34318	Rubber Foot	
15	155P3	Anchor	Includes 4 rubber discs with adhesive backing
	802844P	Anchor Floor Mount Assembly	Includes 2 rubber discs with adhesive backing
16	21899	Nut	
17	803876	Base Assembly	
18	202470	Pressure Sensor	

Washer Junction Box

Models BTEBLASP433AW01, BTEBXASP173FW28, BTEBXASP433AW01, BTGBLASP303AW01, BTGBXASP113FW28, BTGBXASP303AW01, HTEBXASP133DW01, HTEBXASP173FW28, HTEBXASP543DW01, HTGBXASP113FW28, HTGBXASP123DW01, HTGBXASP543DW01, NTEBXASP303NW01, NTEBXASP303NW22, NTGBXASP303NW01, NTLBXASP303NW26, STEBXASP133DW01, STEBXASP173FW28, STEBXASP303NW22, STEBXASP303UW01, STEBXASP433AW01, STEBXASP433AW12, STEBXASP543DW01, STEBXASP543ZW01, STGBXASP113FW28, STGBXASP123DW01, STGBXASP303AW01, STGBXASP303AW12, STGBXASP303NW22, STGBXASP303ZW01, STGBXASP543DW01 and TTEBXASP303NW22

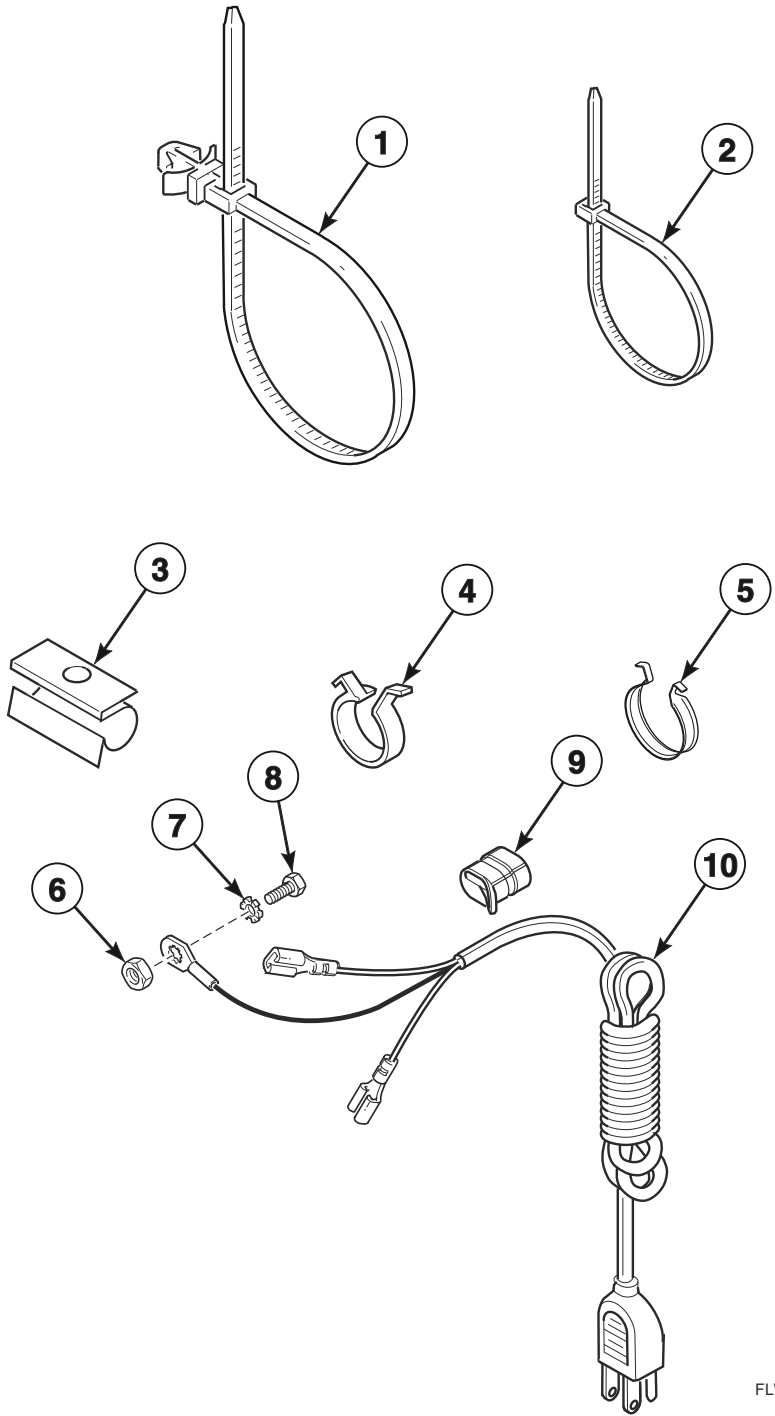


FLW1738P_806122

Washer Junction Box

REF	PART NO.	DESCRIPTION	COMMENTS
1	803820	Junction Box Cover	
2	803832	Junction Box Seal	
3	801450	Power Cord Assembly	Models NTEBXASP303NW01, NTEBXASP303NW22, NTGBXASP303NW01, STEBXASP303NW22, STEBXASP303UW01, STEBXASP543ZW01, STGBXASP303NW22, STGBXASP303ZW01 and TTEBXASP303NW22
	39926	Lead-In Cord	Model NTLBXASP303NW26
	39931	Power Cord Assembly	Models BTEBLASP433AW01, BTEBXASP433AW01, BTGBLASP303AW01, BTGBXASP303AW01, STEBXASP433AW01, STEBXASP433AW12, STGBXASP303AW01 and STGBXASP303AW12
	804556	Lead-In Cord Assembly	Models HTEBXASP133DW01, HTEBXASP543DW01, HTGBXASP123DW01, HTGBXASP543DW01, STEBXASP133DW01, STEBXASP543DW01, STGBXASP123DW01 and STGBXASP543DW01
	802012	Power Cord Assembly	Models BTEBXASP173FW28, BTGBXASP113FW28, HTEBXASP173FW28, HTGBXASP113FW28, STEBXASP173FW28 and STGBXASP113FW28
4	39922	Cable Connection Box	
5	38384	Strain Relief	
6	803818	Junction Box	Upper
7	804805	Filter Jumper Harness	Filter to terminal block
8	503661	Screw	
9	803819	Junction Box	Lower

Washer Lead-In Cord, Wire Ties and Harness Clips



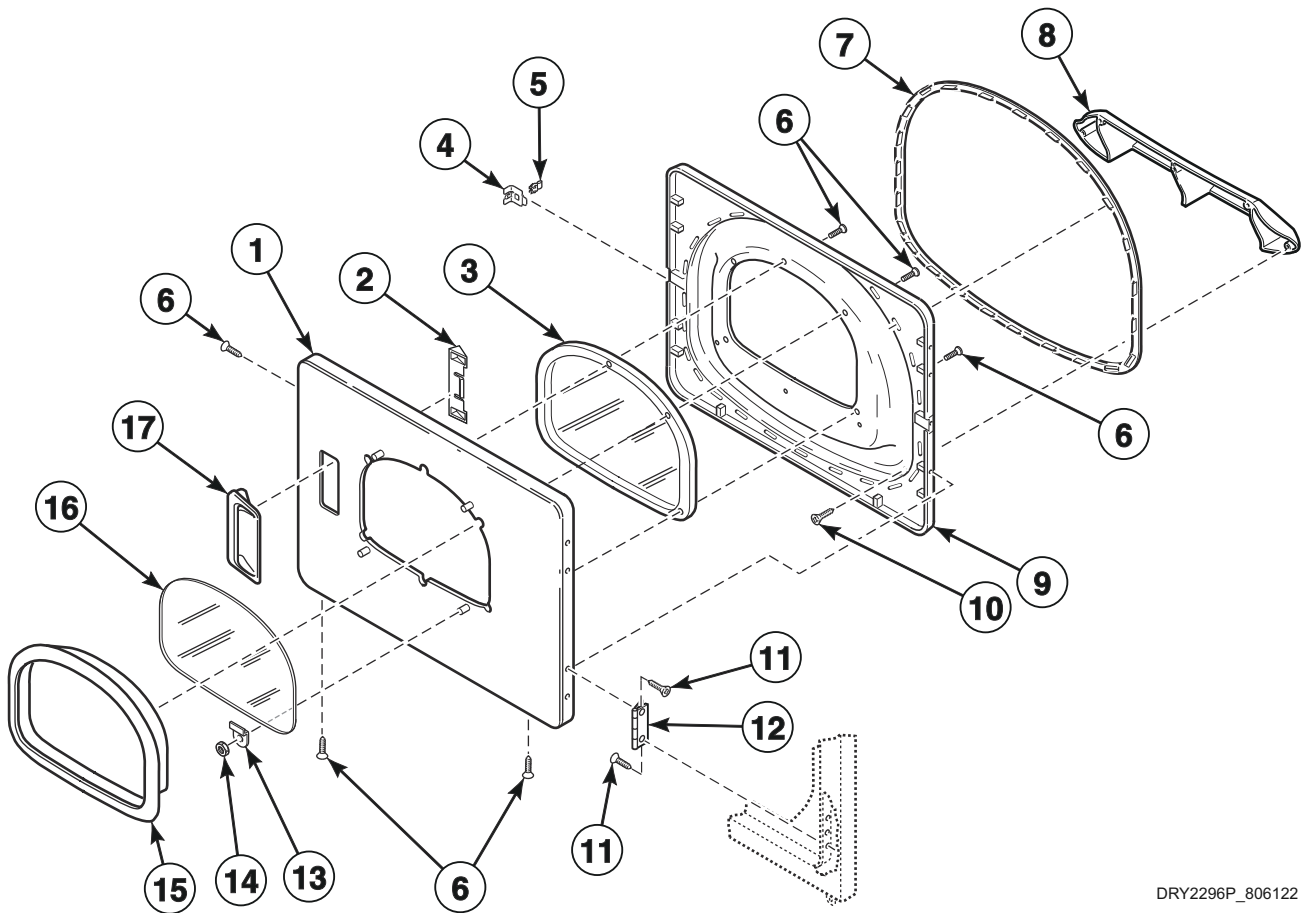
FLW823P_806122

Washer Lead-In Cord, Wire Ties and Harness Clips

REF	PART NO.	DESCRIPTION	COMMENTS
1	38663	Wire Tie	
2	55881	Harness Strap	
3	36985	Hose Clip	
4	504034	Wire Clip	Small
5	687500	Wire Clip	Large
6	03673	Nut	
7	03815	Washer	
8	20530	Screw	
9	38384	Strain Relief	
10	202777	Lead-In Cord	Models BTEBCASP173TW01, BTEBYASP173TW01, BTGBCASP113TW01, BTGBYASP113TW01, HTEBCASP173TW01, HTGBCASP113TW01, HTGBYASP113TW01, STEBCASP173TQ01, STEBCASP173TW01, STEBXASP173TQ01, STEBXASP173TW01, STEBYASP173TW01, STGBCASP113TW01, STGBXASG113TW01, STGBXASP113TW01 and STGBYASP113TW01

Dryer Loading Door (Drawing 1 of 3)

Models BTEBCASP173TW01, BTEBEASP283CW01, BTEBYASP173TW01, HTEBCASP173TW01, HTEBDASP283CW01, HTEBXASP283CW01, HTEBXASP293CW01, HTEBYASP283CW01, STEBCASP173TQ01, STEBCASP173TW01, STEBXASP173TQ01, STEBXASP173TW01 and STEBYASP173TW01



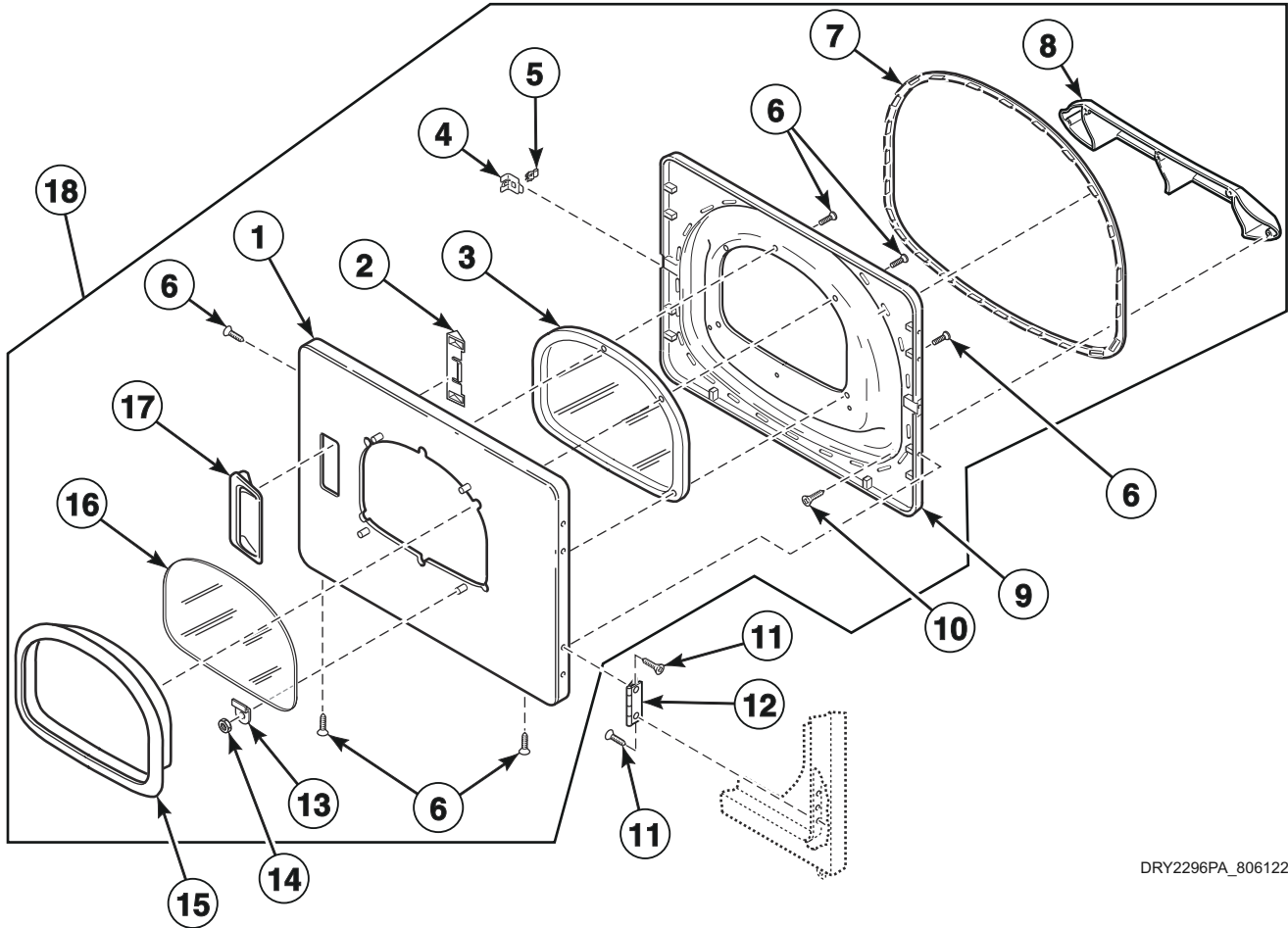
DRY2296P_806122

Dryer Loading Door (Drawing 1 of 3)

REF	PART NO.	DESCRIPTION	COMMENTS
1	514114W	Dryer Door Assembly	
2	510129	Door Handle Wedge	
3	503982P	Dryer Door Window	
4	510127	Door Strike Mount	
5	510181	Door Strike	
6	515597	Screw	
	500226	Screw	
7	510147P	Liner Door Seal	
8	503870LG	Door Liner Grill	
9	510098LG	Liner and Seal Assembly	Includes item 7
10	505870	Screw	
11	505295	Screw	
12	511036	Hinge	
13	513958	Window Clip	
14	44071201	Nut	
15	513960W	Window Trim	
16	513910	Glass Door Window	
17	515950P	Door Pull and Wedge Kit	Includes item 2

Dryer Loading Door (Drawing 2 of 3)

Models BTGBCASP113TW01, BTGBYASP113TW01, HTGBCASP113TW01, HTGBDASP093CW01, HTGBXASP093CW01, HTGBYASP093CW01, HTGBYASP113TW01, STGBCASP113TW01, STGBXASG113TW01, STGBXASP113TW01 and STGBYASP113TW01



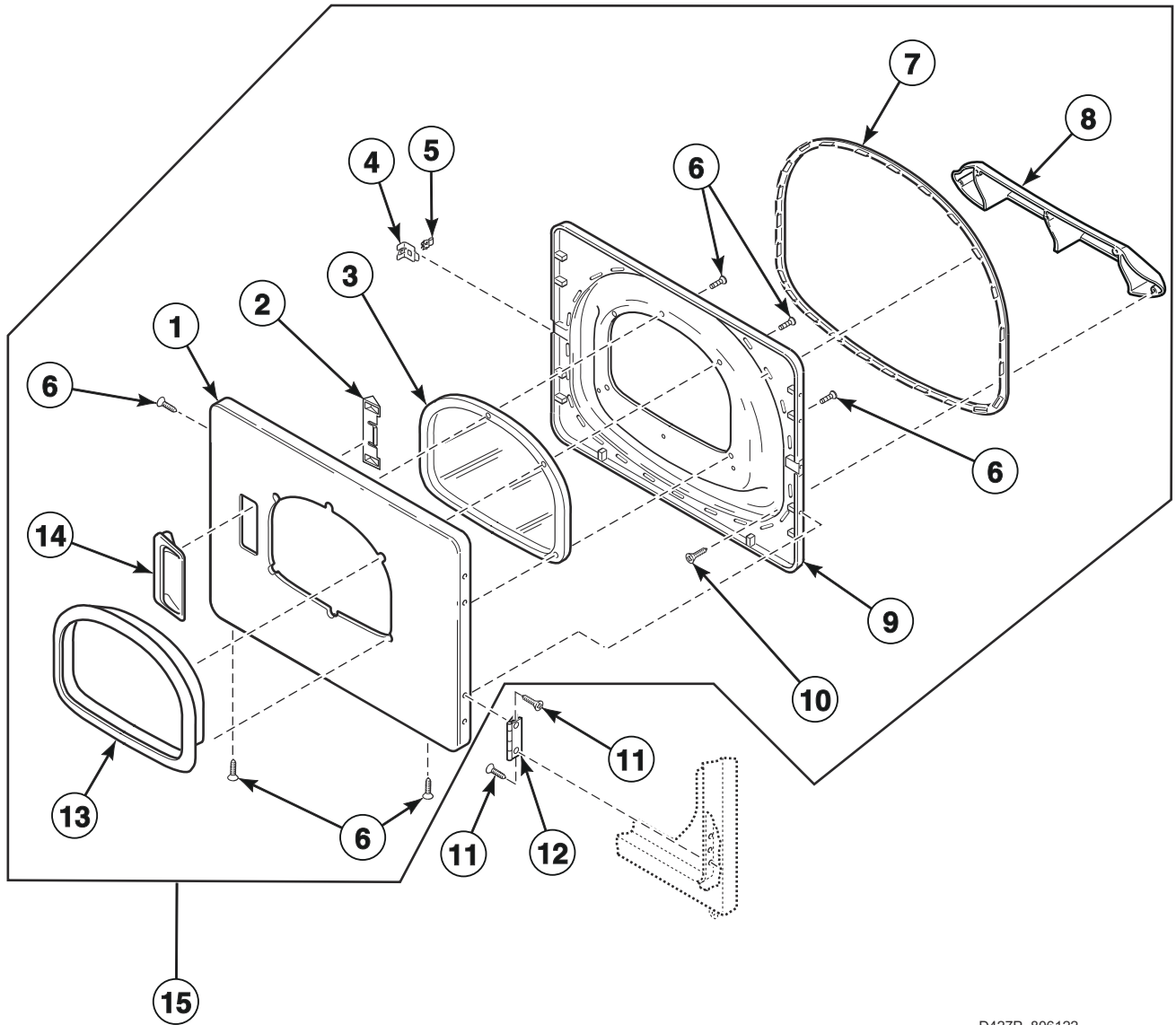
DRY2296PA_806122

Dryer Loading Door (Drawing 2 of 3)

REF	PART NO.	DESCRIPTION	COMMENTS
1	510082WP	Dryer Door	Through Serial No. 1606000838
	514114W	Dryer Door Assembly	Starting Serial No. 1606000839
2	510129W	Door Handle Wedge	Through Serial No. 1606000838
	510129LG	Door Handle Wedge	Starting Serial No. 1606000839
3	503982P	Dryer Door Window	
4	510127	Door Strike Mount	
5	510181	Door Strike	
6	500226	Screw	Through Serial No. 1606000838
	515597	Screw	Starting Serial No. 1606000839
7	510147P	Liner Door Seal	
8	503870W	Door Liner Grill	Through Serial No. 1606000838
	503870LG	Door Liner Grill	Starting Serial No. 1606000839
9	510098W	Liner and Seal Assembly	Includes item 7; Through Serial No. 1606000838
	510098LG	Liner and Seal Assembly	Includes item 7; Starting Serial No. 1606000839
10	505870	Screw	
11	505295	Screw	
12	511036	Hinge	
13	513958	Window Clip	Starting Serial No. 1606000839
14	44071201	Nut	Starting Serial No. 1606000839
15	503981W	Window Trim	Through Serial No. 1606000838
	513960W	Window Trim	Starting Serial No. 1606000839
16	513910	Glass Door Window	Starting Serial No. 1606000839
17	510103WP	Door Pull and Wedge Kit	Includes item 2; Through Serial No. 1606000838
	515950P	Door Pull and Wedge Kit	Includes item 2; Starting Serial No. 1606000839
18	511636WP	Door and Liner Assembly	White; Includes items 1-10, 15 and 17; Through Serial No. 1606000838

Dryer Loading Door (Drawing 3 of 3)

Models BTEBLASP433AW01, BTEBXASP173FW28, BTEBXASP433AW01, BTGBLASP303AW01, BTGBXASP113FW28, BTGBXASP303AW01, HTEBXASP133DW01, HTEBXASP173FW28, HTEBXASP543DW01, HTGBXASP113FW28, HTGBXASP123DW01, HTGBXASP543DW01, NTEBXASP303NW01, NTEBXASP303NW22, NTGBXASP303NW01, NTLBXASP303NW26, STEBXASP133DW01, STEBXASP173FW28, STEBXASP303NW22, STEBXASP303UW01, STEBXASP433AW01, STEBXASP433AW12, STEBXASP543DW01, STEBXASP543ZW01, STGBXASP113FW28, STGBXASP123DW01, STGBXASP303AW01, STGBXASP303AW12, STGBXASP303NW22, STGBXASP303ZW01, STGBXASP543DW01 and TTEBXASP303NW22

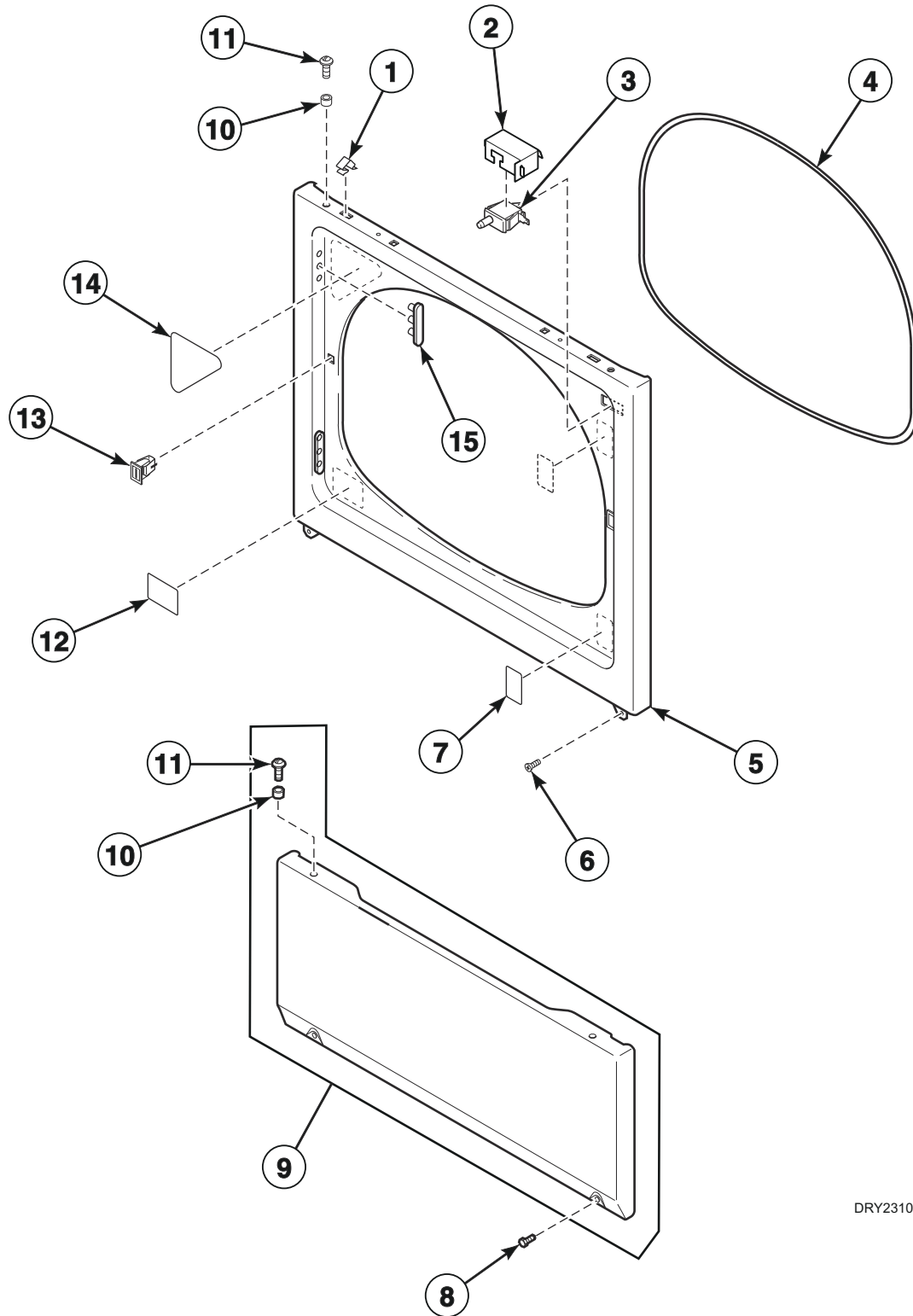


D427P_806122

Dryer Loading Door (Drawing 3 of 3)

REF	PART NO.	DESCRIPTION	COMMENTS
1	510082WP	Dryer Door	
2	510129	Door Handle Wedge	
3	503982P	Dryer Door Window	
4	510127	Door Strike Mount	
5	510181	Door Strike	
6	500226	Screw	
7	510147P	Liner Door Seal	
8	503870W	Door Liner Grill	
9	510098W	Liner and Seal Assembly	Includes item 7
10	505870	Screw	
11	505295	Screw	
12	511036	Hinge	
13	503981W	Window Trim	
14	510103WP	Door Pull and Wedge Kit	Includes item 2
15	511636WP	Door and Liner Assembly	White; Includes items 1-10, 13 and 14

Access Panel, Front Panel and Seal

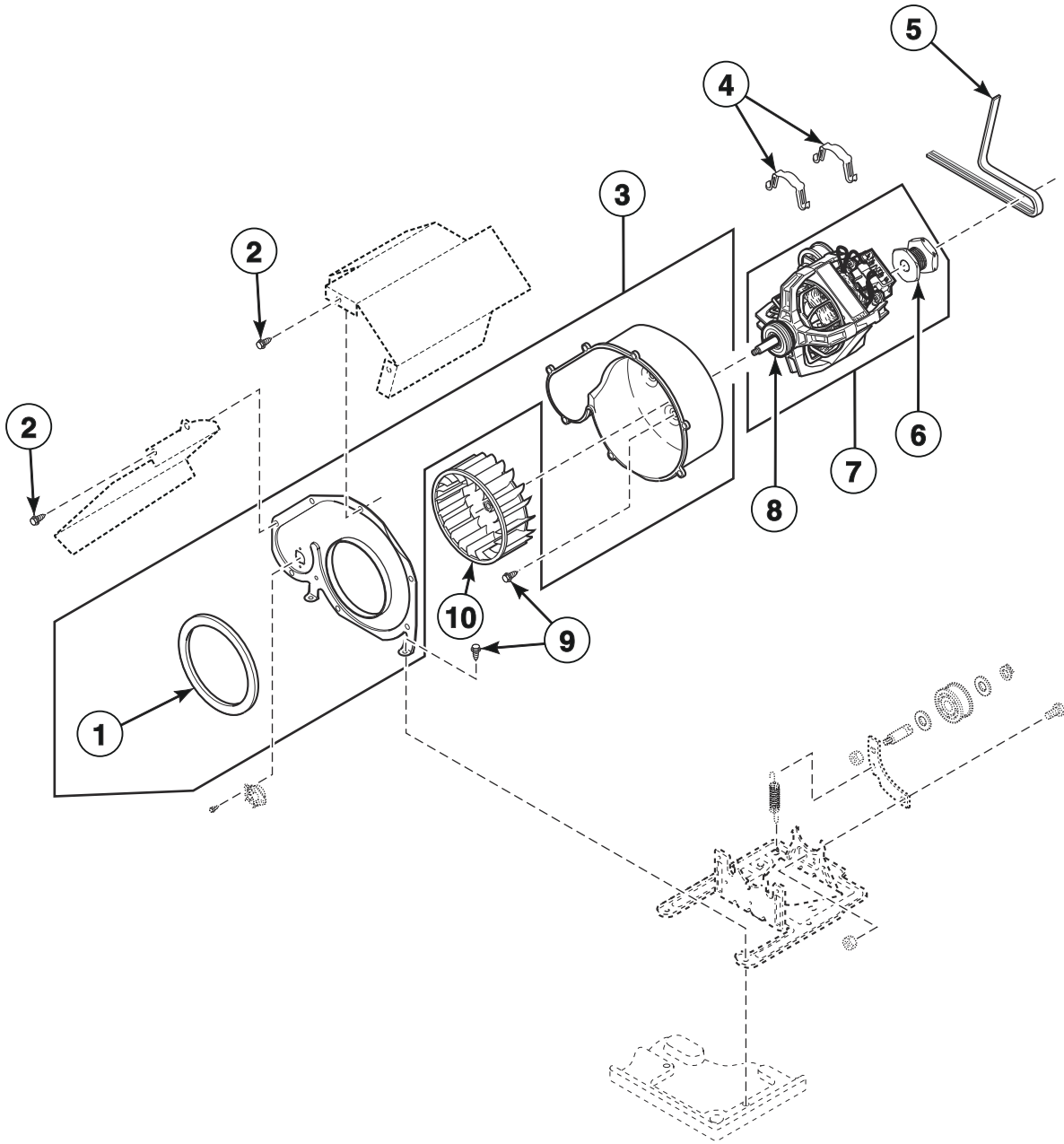


DRY2310P_806122

Access Panel, Front Panel and Seal

REF	PART NO.	DESCRIPTION	COMMENTS
1	28835	Speed Clip	
2	514327	Drip Shield	Models BTEBLASP433AW01, BTEBXASP173FW28, BTEBXASP433AW01, BTGBLASP303AW01, BTGBXASP113FW28, BTGBXASP303AW01, HTEBXASP133DW01, HTEBXASP173FW28, HTEBXASP543DW01, HTGBXASP113FW28, HTGBXASP123DW01, HTGBXASP543DW01, STEBXASP133DW01, STEBXASP173FW28, STEBXASP303UW01, STEBXASP433AW01, STEBXASP433AW12, STEBXASP543DW01, STEBXASP543ZW01, STGBXASP113FW28, STGBXASP123DW01, STGBXASP303AW01, STGBXASP303AW12, STGBXASP303ZW01 and STGBXASP543DW01
3	512973	Switch	
4	511056	Front Panel Seal	
5	510066WP	Front Panel	
6	503688	Screw	
7	512263	Warning Label	Models BTEBLASP433AW01, BTEBXASP433AW01, BTGBLASP303AW01, BTGBXASP303AW01, STEBXASP433AW01, STEBXASP433AW12, STGBXASP303AW01 and STGBXASP303AW12
8	33562	Screw	
9	514252W	Access Panel and Guard Assembly	White; Models BTEBCASP173TW01, BTEBEASP283CW01, BTEBYASP173TW01, HTEBCASP173TW01, HTEBDASP283CW01, HTEBXASP283CW01, HTEBXASP293CW01, HTEBYASP283CW01, STEBCASP173TQ01, STEBCASP173TW01, STEBXASP173TQ01, STEBXASP173TW01 and STEBYASP173TW01; Models BTGBCASP113TW01, BTGBYASP113TW01, HTGBCASP113TW01, HTGBDASP093CW01, HTGBXASP093CW01, HTGBYASP093CW01, HTGBYASP113TW01, STGBCASP113TW01, STGBXASG113TW01, STGBXASP113TW01 and STGBYASP113TW01 starting Serial No. 1606000839
	514250WP	Access Panel Assembly	White; Models BTGBCASP113TW01, BTGBYASP113TW01, HTGBCASP113TW01, HTGBDASP093CW01, HTGBXASP093CW01, HTGBYASP093CW01, HTGBYASP113TW01, STGBCASP113TW01, STGBXASG113TW01, STGBXASP113TW01 and STGBYASP113TW01 through Serial No. 1606000838; All other models
10	56079	Panel Locator	
11	39733	Screw	
12	502804	Clean Lint Label	Models BTEBLASP433AW01, BTEBXASP433AW01, BTGBLASP303AW01, BTGBXASP303AW01, STEBXASP433AW01, STEBXASP433AW12, STGBXASP303AW01 and STGBXASP303AW12
13	510177	Door Catch Assembly	
14	500281	Warning/Caution Label	
15	510186	Hinge Hole Plug	

Motor, Exhaust Fan and Belt

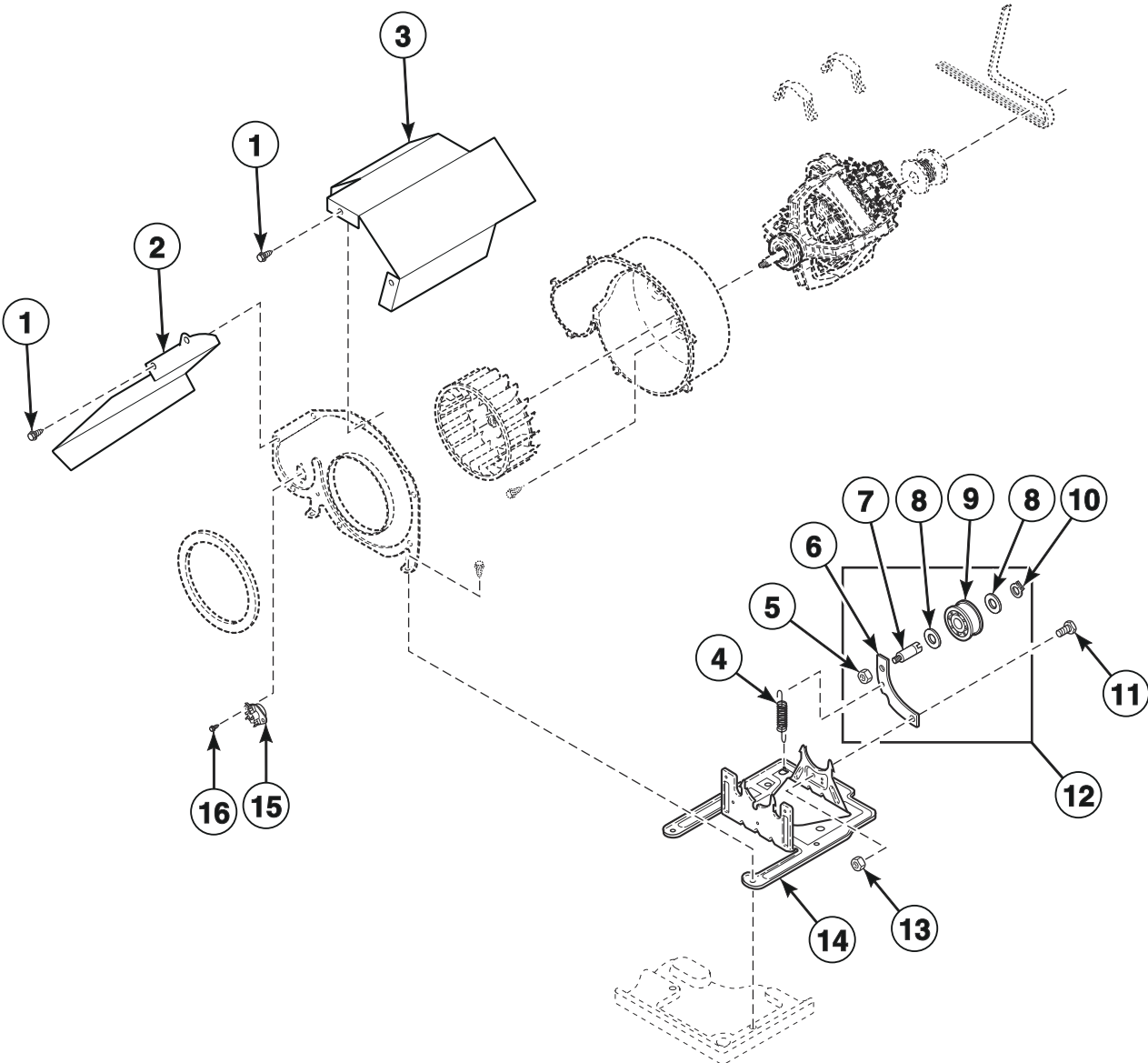


DRY2312P_806122

Motor, Exhaust Fan and Belt

REF	PART NO.	DESCRIPTION	COMMENTS
	27604P	Anti-Seize Compound	Apply to motor shaft when installing blower fan assembly
1	510238P	Blower Housing Seal	
2	31260	Screw	
3	511969LG	Blower Housing	Includes items 1 and 2; Models BTEBCASP173TW01, BTEBEASP283CW01, BTEBYASP173TW01, HTEBCASP173TW01, HTEBDASP283CW01, HTEBXASP283CW01, HTEBXASP293CW01, HTEBYASP283CW01, STEBCASP173TQ01, STEBCASP173TW01, STEBXASP173TQ01, STEBXASP173TW01 and STEBYASP173TW01
	511969WP	Blower Housing	Includes items 1 and 2; All other models
4	510180	Motor Mount Clamp	
5	511255P	Cylinder Belt	
6	500222	Motor Pulley	50 Hertz; Models BTEBLASP433AW01, BTEBXASP433AW01, BTGBLASP303AW01, BTGBXASP303AW01, NTEBXASP303NW01, NTEBXASP303NW22, NTGBXASP303NW01, NTLBXASP303NW26, STEBXASP303NW22, STEBXASP303UW01, STEBXASP433AW01, STEBXASP433AW12, STGBXASP303AW01, STGBXASP303AW12, STGBXASP303NW22, STGBXASP303ZW01 and TTEBXASP303NW22
	500011	Motor Pulley	60 Hertz; All other models
7	505869P	Motor and Pulley Assembly	240 Volt/60 Hertz; Includes items 4, 6 and 8; Apply anti-seize compound to motor shaft when installing blower fan assembly; Models HTEBXASP543DW01, HTGBXASP543DW01, STEBXASP543DW01, STEBXASP543ZW01 and STGBXASP543DW01
	505843P	Motor and Pulley Assembly	240 Volt/50 Hertz; Includes items 4, 6 and 8; Apply anti-seize compound to motor shaft when installing blower fan assembly; Models BTEBLASP433AW01, BTEBXASP433AW01, BTGBLASP303AW01, BTGBXASP303AW01, NTEBXASP303NW01, NTEBXASP303NW22, NTGBXASP303NW01, NTLBXASP303NW26, STEBXASP303NW22, STEBXASP303UW01, STEBXASP433AW01, STEBXASP433AW12, STGBXASP303AW01, STGBXASP303AW12, STGBXASP303NW22, STGBXASP303ZW01 and TTEBXASP303NW22
	511629P	Motor and Pulley Assembly	120 Volt/60 Hertz; Includes items 4, 6 and 8; Apply anti-seize compound to motor shaft when installing blower fan assembly; All other models
8	590P3	Motor Hub Ring Kit	
9	503688	Screw	
10	510139P	Blower Fan Assembly	

Thermistor, Shields and Idler Assembly

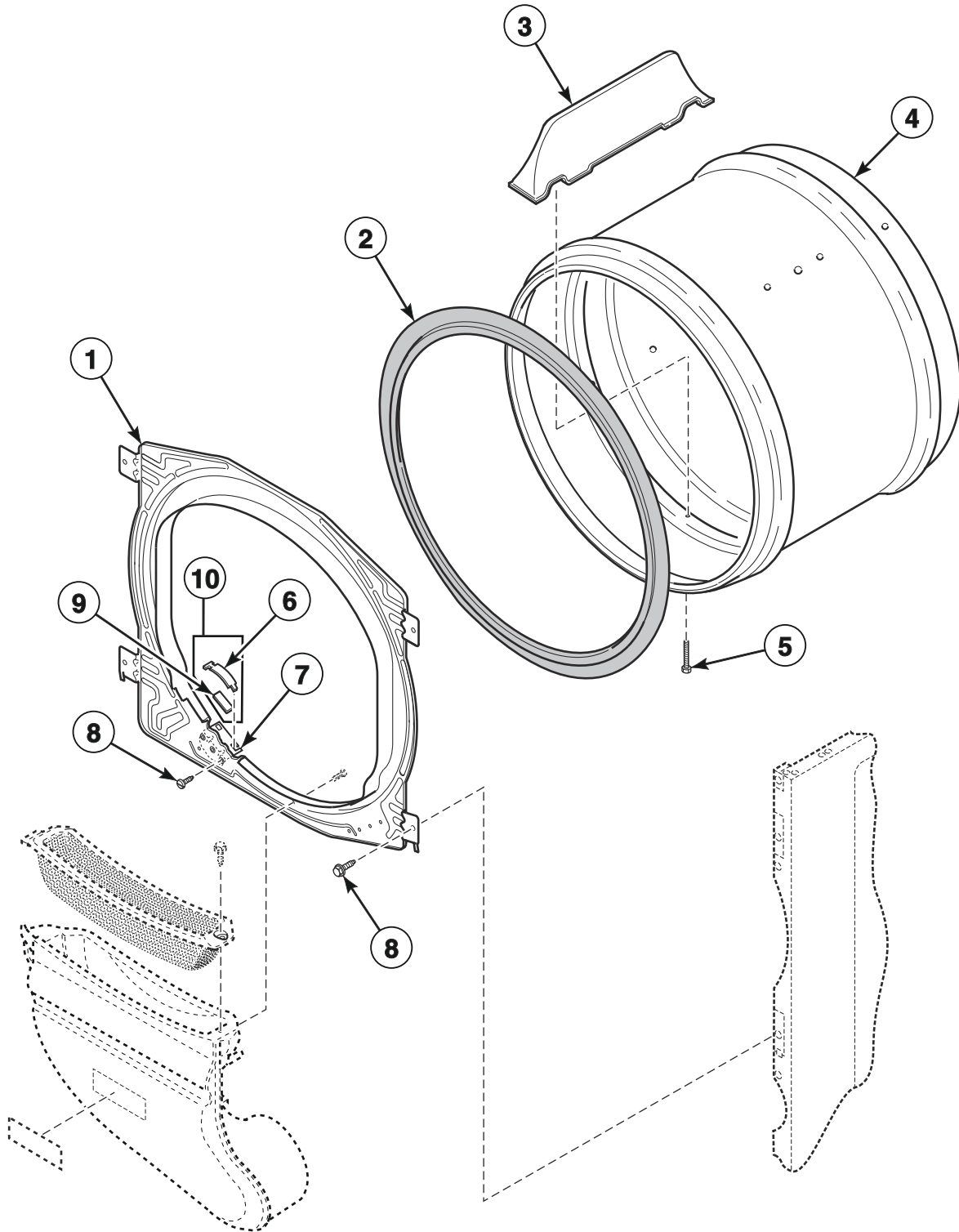


DRY2312PA_806122

Thermistor, Shields and Idler Assembly

REF	PART NO.	DESCRIPTION	COMMENTS
1	31260	Screw	
2	514325	Thermostat Shield	Models BTEBLASP433AW01, BTEBXASP173FW28, BTEBXASP433AW01, BTGBLASP303AW01, BTGBXASP113FW28, BTGBXASP303AW01, HTEBXASP133DW01, HTEBXASP173FW28, HTEBXASP543DW01, HTGBXASP113FW28, HTGBXASP123DW01, HTGBXASP543DW01, STEBXASP133DW01, STEBXASP173FW28, STEBXASP303UW01, STEBXASP433AW01, STEBXASP433AW12, STEBXASP543DW01, STEBXASP543ZW01, STGBXASP113FW28, STGBXASP123DW01, STGBXASP303AW01, STGBXASP303AW12, STGBXASP303ZW01 and STGBXASP543DW01
3	514602	Motor Shield	Models BTEBLASP433AW01, BTEBXASP173FW28, BTEBXASP433AW01, BTGBLASP303AW01, BTGBXASP113FW28, BTGBXASP303AW01, HTEBXASP133DW01, HTEBXASP173FW28, HTEBXASP543DW01, HTGBXASP113FW28, HTGBXASP123DW01, HTGBXASP543DW01, STEBXASP133DW01, STEBXASP173FW28, STEBXASP303UW01, STEBXASP433AW01, STEBXASP433AW12, STEBXASP543DW01, STEBXASP543ZW01, STGBXASP113FW28, STGBXASP123DW01, STGBXASP303AW01, STGBXASP303AW12, STGBXASP303ZW01 and STGBXASP543DW01
4	510185	Idler Spring	
5	56156	Nut	
6	510133	Idler Lever	
7	56461P	Shaft	
8	52549	Washer	
9	510142P	Idler Wheel and Bearing Assembly	
10	23748	Retaining Ring	
11	500824	Screw	
12	510158	Idler Lever and Wheel Assembly	Includes items 4-9
13	52566	Nut	
14	510060	Motor Mount	
15	502366	Thermistor Assembly	50 Hertz; Models BTEBLASP433AW01, BTEBXASP433AW01, BTGBLASP303AW01, BTGBXASP303AW01, NTEBXASP303NW01, NTEBXASP303NW22, NTGBXASP303NW01, NTLBXASP303NW26, STEBXASP303NW22, STEBXASP303UW01, STEBXASP433AW01, STEBXASP433AW12, STGBXASP303AW01, STGBXASP303AW12, STGBXASP303NW22, STGBXASP303ZW01 and TTEBXASP303NW22
	510523	Thermistor Assembly	60 Hertz; All other models
16	502535	Screw	

Front Bulkhead, Felt Seal and Cylinder

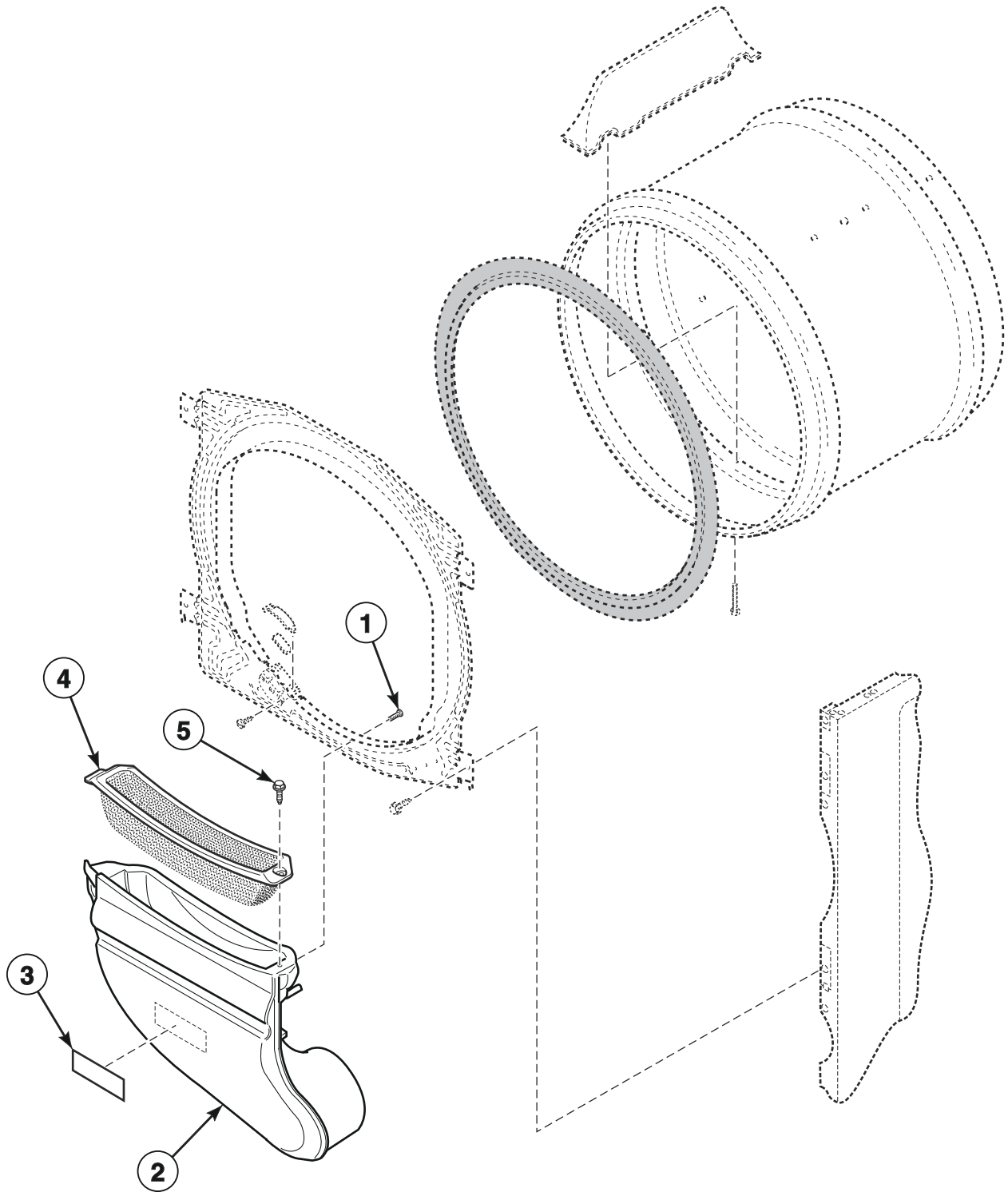


SWD1174P_806122

Front Bulkhead, Felt Seal and Cylinder

REF	PART NO.	DESCRIPTION	COMMENTS
1	510266P	Front Bulkhead Assembly	Unpainted; Includes item 2
2	510207P	Cylinder Seal Assembly	
	511637P	Adhesive	Apply to cylinder seal
	RB170001	Seal Kit	Includes 2 cylinder seals, 510238P Blower Housing Seal and 511637P Adhesive
3	510102W	Cylinder Baffle	
4	510265WP	Cylinder Assembly	Galvanized; Includes item 3
5	62588	Screw	
6	513710	Cylinder Glide	
7	510145	Cylinder Glide Bracket	
8	503688	Screw	
9	510189	Felt Pad	
10	RB170003	Glide Kit	Includes items 6 and 7

Air Duct Assembly

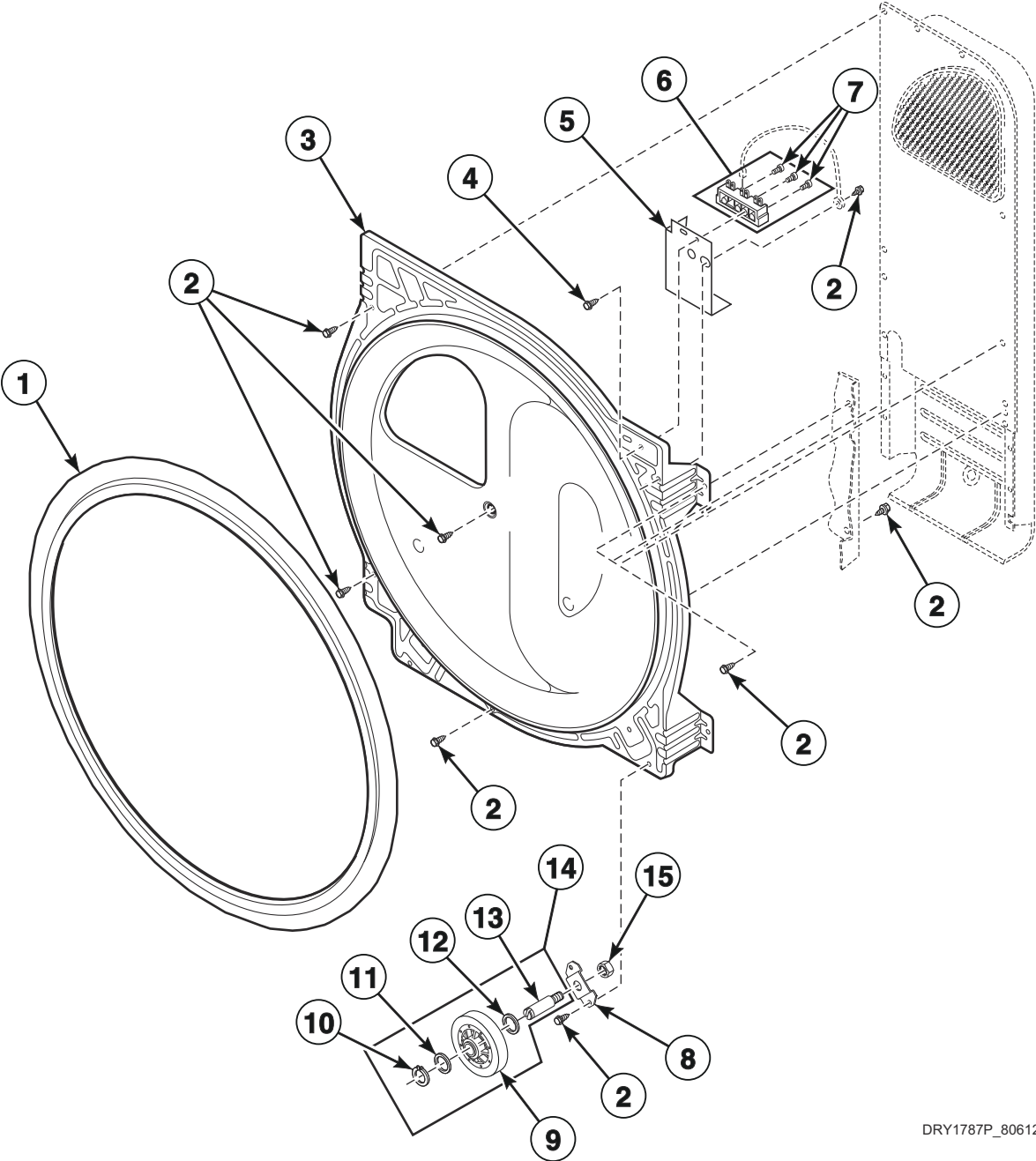


SWD1174PA_806122

Air Duct Assembly

REF	PART NO.	DESCRIPTION	COMMENTS
1	52864	Screw	
2	510151LG	Air Duct Assembly	Models BTEBCASP173TW01, BTEBEASP283CW01, BTEBYASP173TW01, HTEBCASP173TW01, HTEBDASP283CW01, HTEBXASP283CW01, HTEBXASP293CW01, HTEBYASP283CW01, STEBCASP173TQ01, STEBCASP173TW01, STEBXASP173TQ01, STEBXASP173TW01 and STEBYASP173TW01; Models BTGBCASP113TW01, BTGBYASP113TW01, HTGBCASP113TW01, HTGBDASP093CW01, HTGBXASP093CW01, HTGBYASP093CW01, HTGBYASP113TW01, STGBCASP113TW01, STGBXASG113TW01, STGBXASP113TW01 and STGBYASP113TW01 starting Serial No. 1606000839
	510151W	Air Duct Assembly	Models BTGBCASP113TW01, BTGBYASP113TW01, HTGBCASP113TW01, HTGBDASP093CW01, HTGBXASP093CW01, HTGBYASP093CW01, HTGBYASP113TW01, STGBCASP113TW01, STGBXASG113TW01, STGBXASP113TW01 amd STGBYASP113TW01 through Serial No. 1606000838; All other models
3	61294	Fuse Notice Label	Electric models
4	503980LG	Lint Filter	Models BTEBCASP173TW01, BTEBEASP283CW01, BTEBYASP173TW01, HTEBCASP173TW01, HTEBDASP283CW01, HTEBXASP283CW01, HTEBXASP293CW01, HTEBYASP283CW01, STEBCASP173TQ01, STEBCASP173TW01, STEBXASP173TQ01, STEBXASP173TW01 and STEBYASP173TW01; Models BTGBCASP113TW01, BTGBYASP113TW01, HTGBCASP113TW01, HTGBDASP093CW01, HTGBXASP093CW01, HTGBYASP093CW01, HTGBYASP113TW01, STGBCASP113TW01, STGBXASG113TW01, STGBXASP113TW01 and STGBYASP113TW01 starting Serial No. 1606000839
	503980W	Lint Filter	Models BTGBCASP113TW01, BTGBYASP113TW01, HTGBCASP113TW01, HTGBDASP093CW01, HTGBXASP093CW01, HTGBYASP093CW01, HTGBYASP113TW01, STGBCASP113TW01, STGBXASG113TW01, STGBXASP113TW01 amd STGBYASP113TW01 through Serial No. 1606000838; All other models
5	501285	Screw	

Rear Bulkhead, Felt Seal, Cylinder Roller and Terminal Block



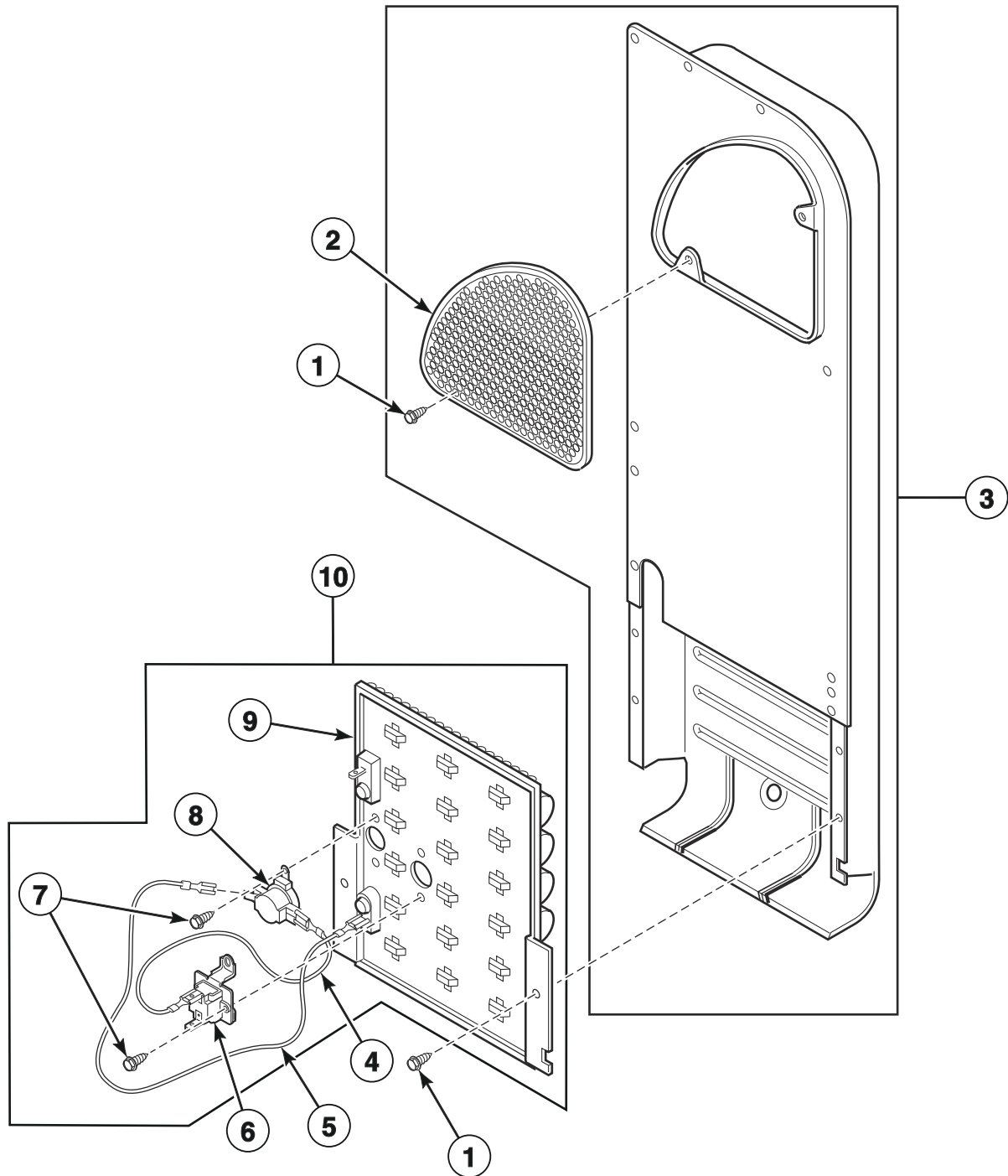
DRY1787P_806122

Rear Bulkhead, Felt Seal, Cylinder Roller and Terminal Block

REF	PART NO.	DESCRIPTION	COMMENTS
1	510207P	Cylinder Seal Assembly	
	511637P	Adhesive	Apply to cylinder seal
	RB170001	Seal Kit	Includes 2 cylinder seals, 510238P Blower Housing Seal and 511637P Adhesive
2	503688	Screw	
3	511082P	Rear Bulkhead Assembly	Includes item 1
	510905WP	Rear Bulkhead Assembly	White; Includes item 1; If black marks appear on clothes, replace rear bulkhead with this part, cylinder with 510159WP Cylinder Assembly and front bulkhead with 505899WP Bulkhead Assembly
4	501285	Screw	Electric models
5	510237	Terminal Block Shield	Models BTEBCASP173TW01, BTEBEASP283CW01, BTEBXASP173FW28, BTEBYASP173TW01, HTEBCASP173TW01, HTEBDASP283CW01, HTEBXASP133DW01, HTEBXASP173FW28, HTEBXASP283CW01, HTEBXASP293CW01, HTEBXASP543DW01, HTEBYASP283CW01, NTEBXASP303NW01, NTEBXASP303NW22, STEBCASP173TQ01, STEBCASP173TW01, STEBXASP133DW01, STEBXASP173FW28, STEBXASP173TQ01, STEBXASP173TW01, STEBXASP303NW22, STEBXASP303UW01, STEBXASP543DW01, STEBXASP543ZW01, STEBYASP173TW01 and TTEBXASP303NW22
	514330	Terminal Block Shield	Models BTEBLASP433AW01, BTEBXASP433AW01, BTGBLASP303AW01, BTGBXASP303AW01, STEBXASP433AW01, STEBXASP433AW12, STGBXASP303AW01 and STGBXASP303AW12
6	510190P	Terminal Block Assembly	Includes 3 of item 7; Electric models
7	61199	Screw	
8	510100	Cylinder Roller Bracket	
9	510708P	Cylinder Roller	
10	23748	Retaining Ring	
11	52549	Washer	
12	504082	Washer	
13	56461P	Shaft	
14	RB170002	Roller Kit	Includes 2 each of items 9-13
15	56156	Nut	

Heater Duct and Element Assembly

Electric Models



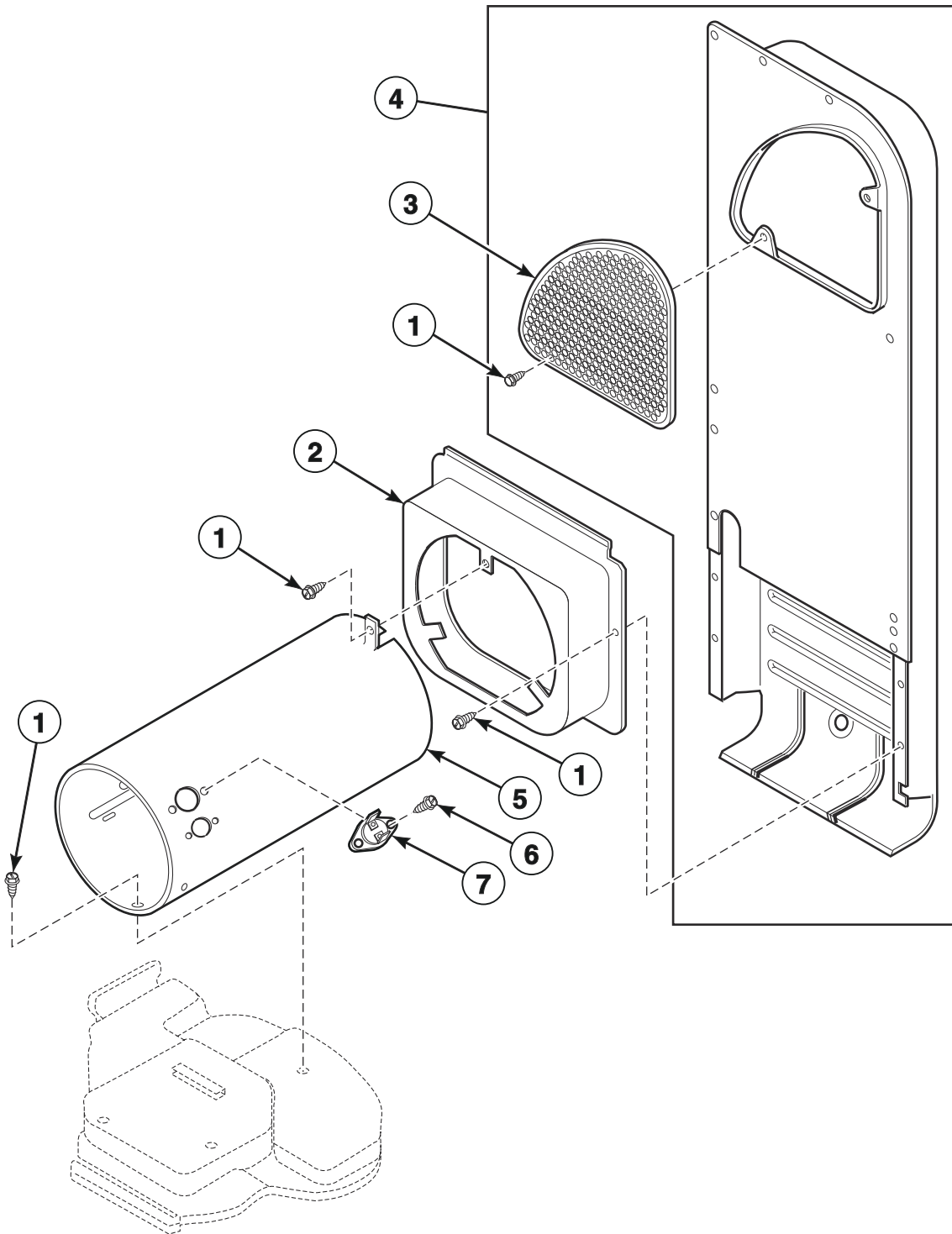
DRY1789P_806122

Heater Duct and Element Assembly

REF	PART NO.	DESCRIPTION	COMMENTS
1	503688	Screw	
2	500820	Outlet Cover	
3	510025P	Heater Duct and Screw Assembly	Includes items 1 and 2
4	510528	Wire Assembly	Orange; Thermostat jumper
5	510527	Wire Assembly	Black; Fuse jumper
6	511412	Thermal Fuse Assembly	
7	23222	Screw	
8	510701	Limit Thermostat	
9	510326P	Heater Assembly	4800 Watt; 240 Volt/50 Hertz; Models NTEBXASP303NW01, NTEBXASP303NW22, STEBXASP303NW22, STEBXASP303UW01 and TTEBXASP303NW22
	510324P	Heater Assembly	5000 Watt; 240 Volt/60 Hertz; Models BTEBEASP283CW01, HTEBDASP283CW01, HTEBXASP283CW01 and HTEBYASP283CW01
	510330P	Heater Assembly	4250 Watt; 208 Volt/60 Hertz; Model HTEBXASP293CW01
	510327P	Heater Assembly	4000 Watt; 240 Volt/50 Hertz; Models BTEBLASP433AW01, BTEBXASP433AW01, STEBXASP433AW01 and STEBXASP433AW12
	510329P	Heater Assembly	5350 Watt; 240 Volt/60 Hertz; All other models
10	61927	Heater Kit Assembly	Includes items 4-9; 5000 Watt; 240 Volt/60 Hertz; Models BTEBEASP283CW01, HTEBDASP283CW01, HTEBXASP283CW01 and HTEBYASP283CW01
	61928	Heater Kit Assembly	Includes items 4-9; 4750 Watt; 208 Volt/60 Hertz; Models BTEBCASP173TW01, BTEBXASP173FW28, BTEBYASP173TW01, HTEBCASP173TW01, HTEBXASP133DW01, HTEBXASP173FW28, HTEBXASP543DW01, STEBCASP173TQ01, STEBCASP173TW01, STEBXASP133DW01, STEBXASP173FW28, STEBXASP173TQ01, STEBXASP173TW01, STEBXASP543DW01, STEBXASP543ZW01 and STEBYASP173TW01
	61929	Heater Kit Assembly	Includes items 4-9; 4800 Watt; 240 Volt/50 Hertz; Models NTEBXASP303NW01, NTEBXASP303NW22, STEBXASP303NW22, STEBXASP303UW01 and TTEBXASP303NW22
	61930	Heater Kit Assembly	Includes items 4-9; 4000 Watt; 240 Volt/50 Hertz; Models BTEBLASP433AW01, BTEBXASP433AW01, STEBXASP433AW01 and STEBXASP433AW12
	964P3	Heater Kit	Includes items 4-9; 5350 Watt; 240 Volt/60 Hertz; Models BTEBCASP173TW01, BTEBXASP173FW28, BTEBYASP173TW01, HTEBCASP173TW01, HTEBXASP133DW01, HTEBXASP173FW28, HTEBXASP543DW01, STEBCASP173TQ01, STEBCASP173TW01, STEBXASP133DW01, STEBXASP173FW28, STEBXASP173TQ01, STEBXASP173TW01, STEBXASP543DW01, STEBXASP543ZW01 and STEBYASP173TW01
	965P3	Heater Kit	Includes items 4-9; 4250 Watt; 208 Volt/60 Hertz; Model HTEBXASP293CW01

Heater Duct Assembly

Gas Models



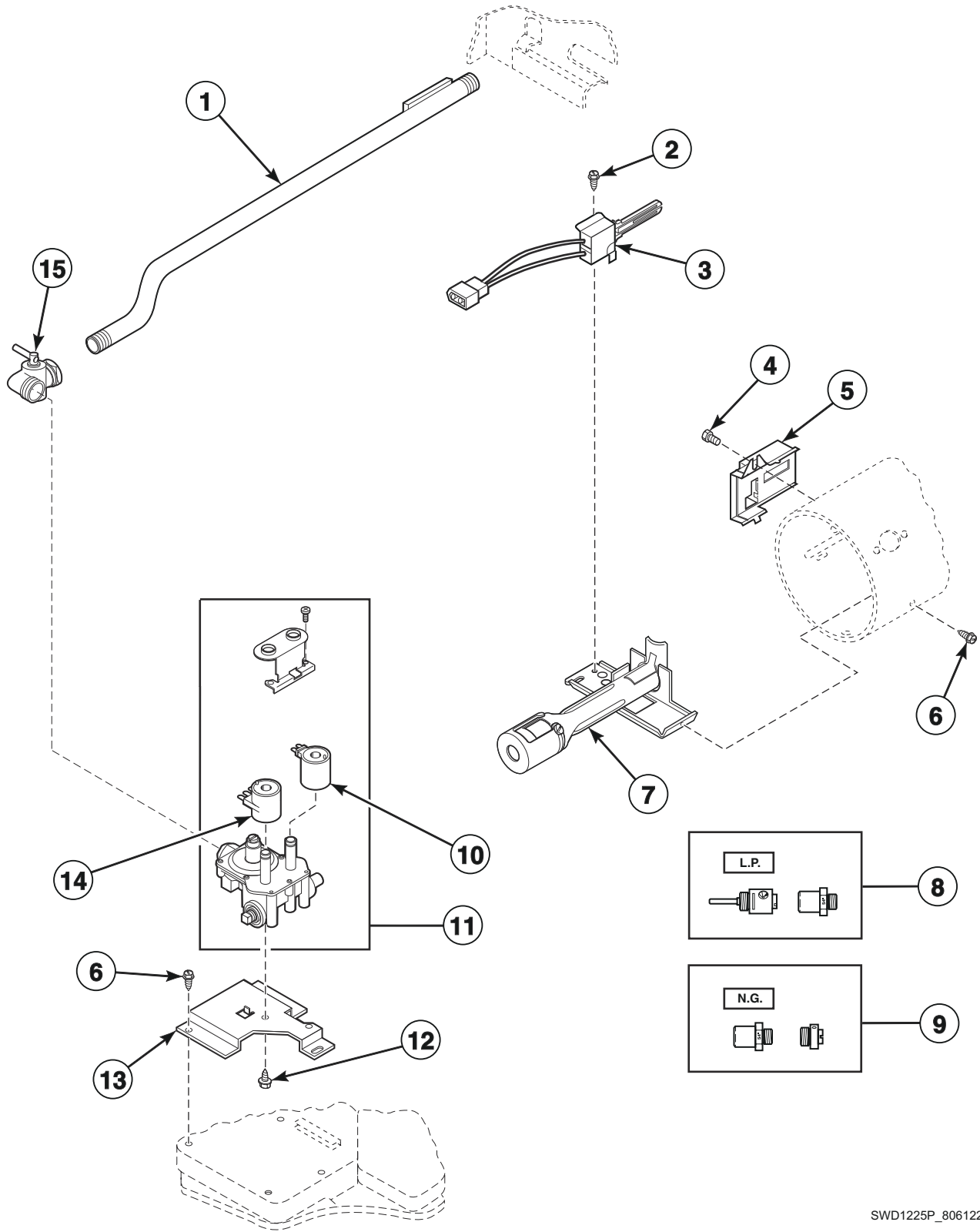
DRY2145P_806122

Heater Duct Assembly

REF	PART NO.	DESCRIPTION	COMMENTS
1	503688	Screw	
2	510101	Heat Duct Shroud	
3	500820	Outlet Cover	
4	510025P	Heater Duct and Screw Assembly	Includes items 1 and 3
5	510131	Combustion Duct	
6	51782	Screw	
7	510702	Limit Thermostat	Black; Auto reset

Gas Valve, Igniter and Gas Conversion Kits

Gas Model Dryers



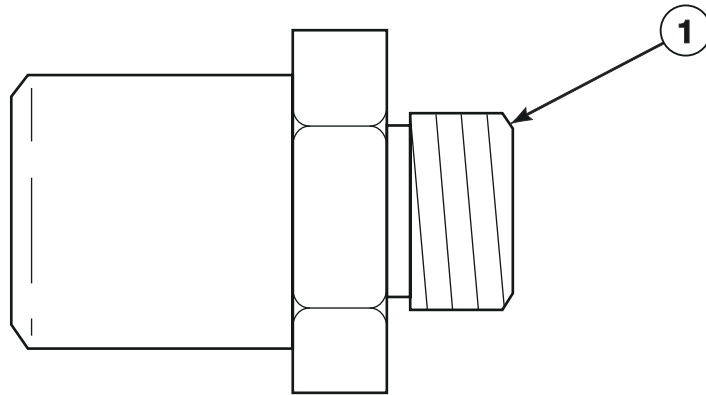
SWD1225P_806122

Gas Valve, Igniter and Gas Conversion Kits

REF	PART NO.	DESCRIPTION	COMMENTS
1	510204	Lead-In Pipe Assembly	
2	51782	Screw	
3	510184P	Igniter and Bracket Assembly	
4	23222	Screw	
5	510213	Sensor	
6	503688	Screw	
7	510149P	Burner Assembly	
8	600P3	L.P. Conversion Kit	Models BTGBLASP303AW01, BTGBXASP303AW01, NTGBXASP303NW01, NTLBXASP303NW26, STGBXASP303AW01, STGBXASP303AW12, STGBXASP303NW22 and STGBXASP303ZW01; 50 Hertz; Used to convert dryers from Natural Gas (N.G.) or Mixed Gas to Liquid Petroleum Gas (L.P.); 25,000 Btu
	458P3	L.P. Conversion Kit	60 Hertz; Used to convert dryers from N.G. or Mixed Gas to L.P.; 25,000 Btu; All other models
9	459P3	N.G. Conversion Kit	Used to convert dryers from L.P. to N.G. or Mixed Gas; 25,000 Btu
10	58804B	Secondary Coil	60 Hertz; Models BTGBCASP113TW01, BTGBXASP113FW28, BTGBYASP113TW01, HTGBCASP113TW01, HTGBDASP093CW01, HTGBXASP093CW01, HTGBXASP113FW28, HTGBXASP123DW01, HTGBXASP543DW01, HTGBYASP093CW01, HTGBYASP113TW01, STGBCASP113TW01, STGBXASG113TW01, STGBXASP113FW28, STGBXASP113TW01, STGBXASP123DW01, STGBXASP543DW01 and STGBYASP113TW01
	59063B	Secondary Coil	50 Hertz; Models BTGBLASP303AW01, BTGBXASP303AW01, NTGBXASP303NW01, NTLBXASP303NW26, STGBXASP303AW01, STGBXASP303AW12, STGBXASP303NW22 and STGBXASP303ZW01
11	60443P	Valve Assembly	50 Hertz; 25,000 Btu; Models BTGBLASP303AW01, BTGBXASP303AW01, NTGBXASP303NW01, STGBXASP303AW01, STGBXASP303AW12, STGBXASP303NW22 and STGBXASP303ZW01
	510506P	Gas Valve Assembly	Models HTGBXASP123DW01, HTGBXASP543DW01, STGBXASP123DW01 and STGBXASP543DW01
	515490	Gas Valve Assembly	Model NTLBXASP303NW26
	60353P	Gas Valve Assembly	60 Hertz, 25,000 Btu; All other models
12	56124	Screw	
13	510128	Gas Valve Mounting Bracket	
14	58804A	Booster and Holding Coil	60 Hertz; Models BTGBCASP113TW01, BTGBXASP113FW28, BTGBYASP113TW01, HTGBCASP113TW01, HTGBDASP093CW01, HTGBXASP093CW01, HTGBXASP113FW28, HTGBXASP123DW01, HTGBXASP543DW01, HTGBYASP093CW01, HTGBYASP113TW01, STGBCASP113TW01, STGBXASG113TW01, STGBXASP113FW28, STGBXASP113TW01, STGBXASP123DW01, STGBXASP543DW01 and STGBYASP113TW01
	59063A	Booster and Holding Coil	50 Hertz; Models BTGBLASP303AW01, BTGBXASP303AW01, NTGBXASP303NW01, NTLBXASP303NW26, STGBXASP303AW01, STGBXASP303AW12, STGBXASP303NW22 and STGBXASP303ZW01
15	510205	Elbow Shut-Off Valve	

Burner Orifice Spuds - For Higher Elevations

Gas Models

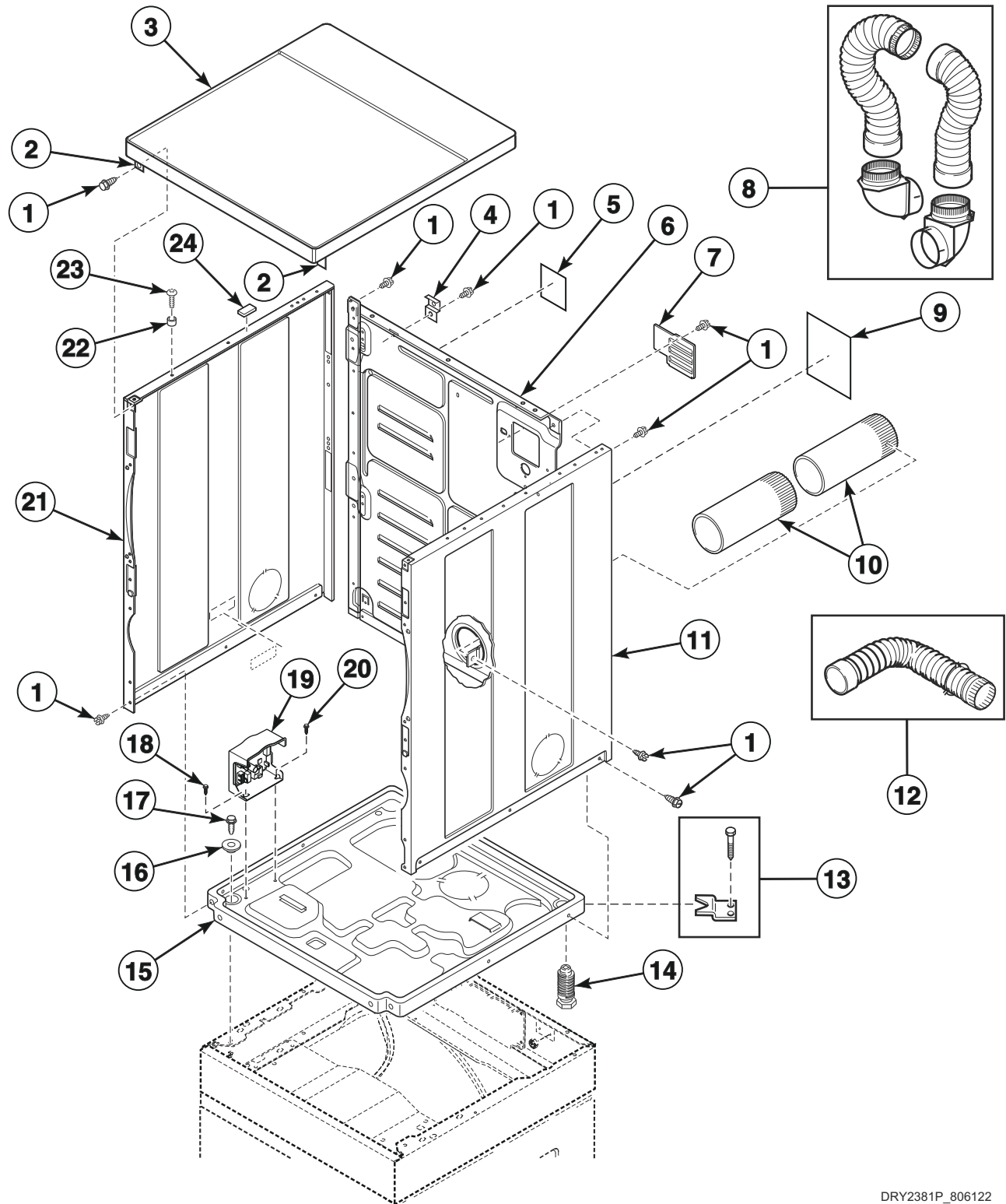


DRY2266P_806122

Burner Orifice Spuds - For Higher Elevations

REF	PART NO.	DESCRIPTION	COMMENTS
1	58755	L.P. Orifice	25,000 Btu; 7500-10,999 feet (2290-3354 m)
	503786	L.P. Orifice	25,000 Btu; 11,000 feet (3355 m) and higher
	58719	Screw Orifice	Natural Gas (N.G.); 25,000 Btu; 7000-8999 feet (2135-2744 m)
	503776	N.G. Orifice	25,000 Btu; 2000-2999 feet (610-914 m)
	510517	N.G. Orifice	25,000 Btu; 3000-5499 feet (915-1678 m)
	503778	N.G. Orifice	25,000 Btu; 5500-6999 feet (1680-2134 m)
	503779	N.G. Orifice	25,000 Btu; 9000-10,499 feet (2745-3199 m)
	503780	N.G. Orifice	25,000 Btu; 10,500 feet (3200 m) and higher

Dryer Cabinet, Exhaust Duct and Base



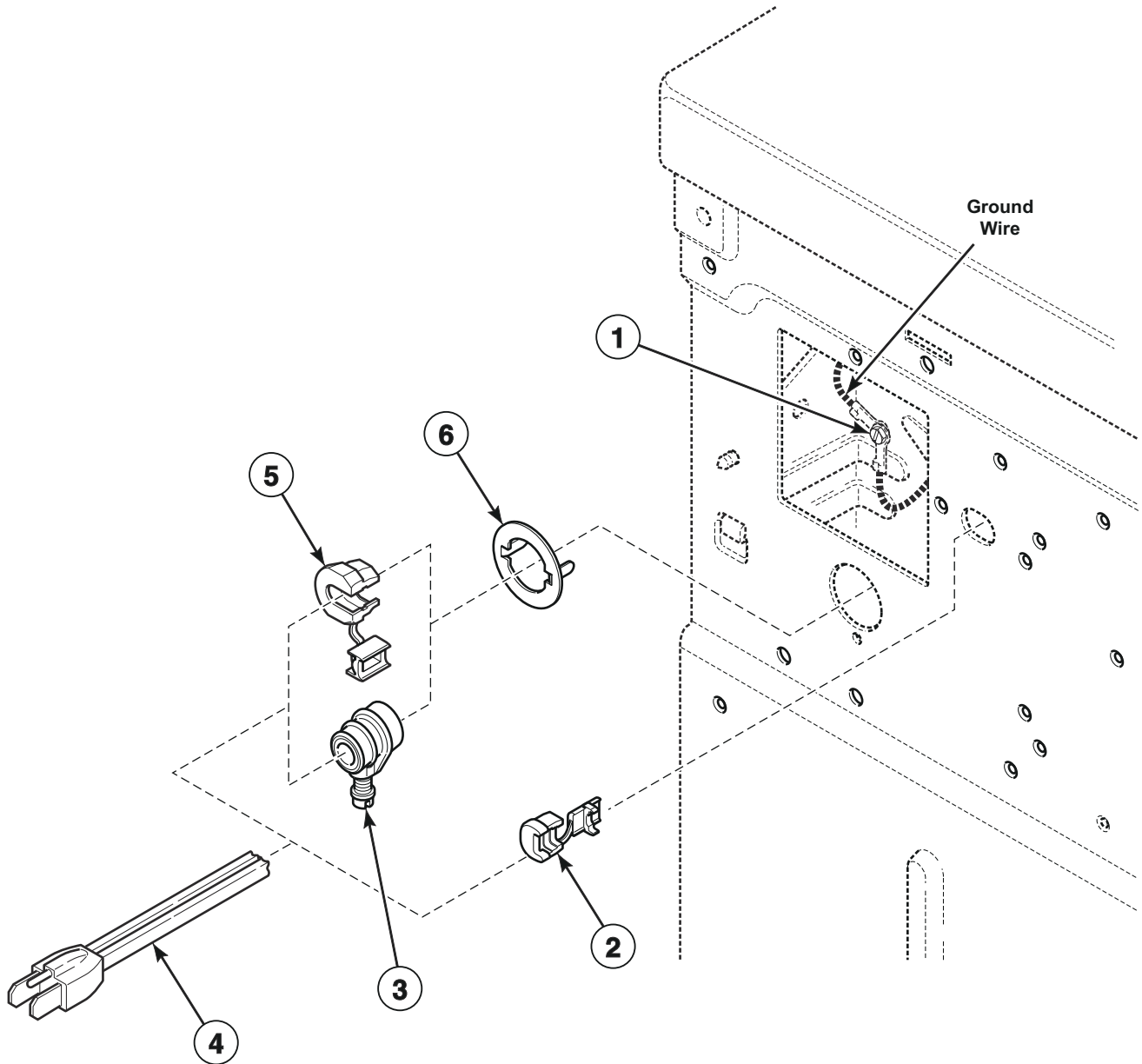
DRY2381P_806122

Dryer Cabinet, Exhaust Duct and Base

REF	PART NO.	DESCRIPTION	COMMENTS
	122P4P	Porcelain Touch-Up Paint	White
1	503688	Screw	
2	510146	Bracket	
3	510032WP	Top Kit	
4	510136	Top Hinge	
5	511004	Gas Clearance Label	
6	514632P	Cabinet Rear Panel	
7	510903	Access Panel Plate	
8	521P3	Flexible Venting Kit	
9	511005	Electric Clearance Label	
10	510137	Exhaust Duct	Each dryer requires 2 pieces
11	510002WP	Cabinet Side Panel	Right
12	528P3	Directional Exhaust Kit	Used to vent dryer out the sides
13	526P3	Hold Down Kit	For mobile home installations
14	510135	Leveling Leg	
15	514245	Dryer Base	
16	26509	Washer	
17	36048	Screw	
18	514428	Screw	
19	513797P	Output Control Assembly	
	514420	Output Board Shield	Models BTEBLASP433AW01, BTEBXASP173FW28, BTEBXASP433AW01, BTGBLASP303AW01, BTGBXASP113FW28, BTGBXASP303AW01, HTEBXASP133DW01, HTEBXASP173FW28, HTEBXASP543DW01, HTGBXASP113FW28, HTGBXASP123DW01, HTGBXASP543DW01, STEBXASP133DW01, STEBXASP173FW28, STEBXASP303UW01, STEBXASP433AW01, STEBXASP433AW12, STEBXASP543DW01, STEBXASP543ZW01, STGBXASP113FW28, STGBXASP123DW01, STGBXASP303AW01, STGBXASP303AW12, STGBXASP303ZW01 and STGBXASP543DW01
20	804667	Screw	
21	510001WP	Cabinet Side Panel	Left
22	56079	Panel Locator	
23	39733	Screw	
24	56128	Bumper Pad	

Dryer Power Cord

Models BTEBLASP433AW01, BTEBXASP433AW01, BTGBCASP113TW01, BTGBLASP303AW01, BTGBXASP113FW28, BTGBXASP303AW01, BTGBYASP113TW01, HTGBCASP113TW01, HTGBDASP093CW01, HTGBXASP093CW01, HTGBXASP113FW28, HTGBXASP123DW01, HTGBXASP543DW01, HTGBYASP093CW01, HTGBYASP113TW01, NTLBXASP303NW26, STEBXASP303UW01, STEBXASP433AW01, STEBXASP433AW12, STGBCASP113TW01, STGBXASG113TW01, STGBXASP113FW28, STGBXASP113TW01, STGBXASP123DW01, STGBXASP303AW01, STGBXASP303AW12, STGBXASP543DW01 and STGBYASP113TW01

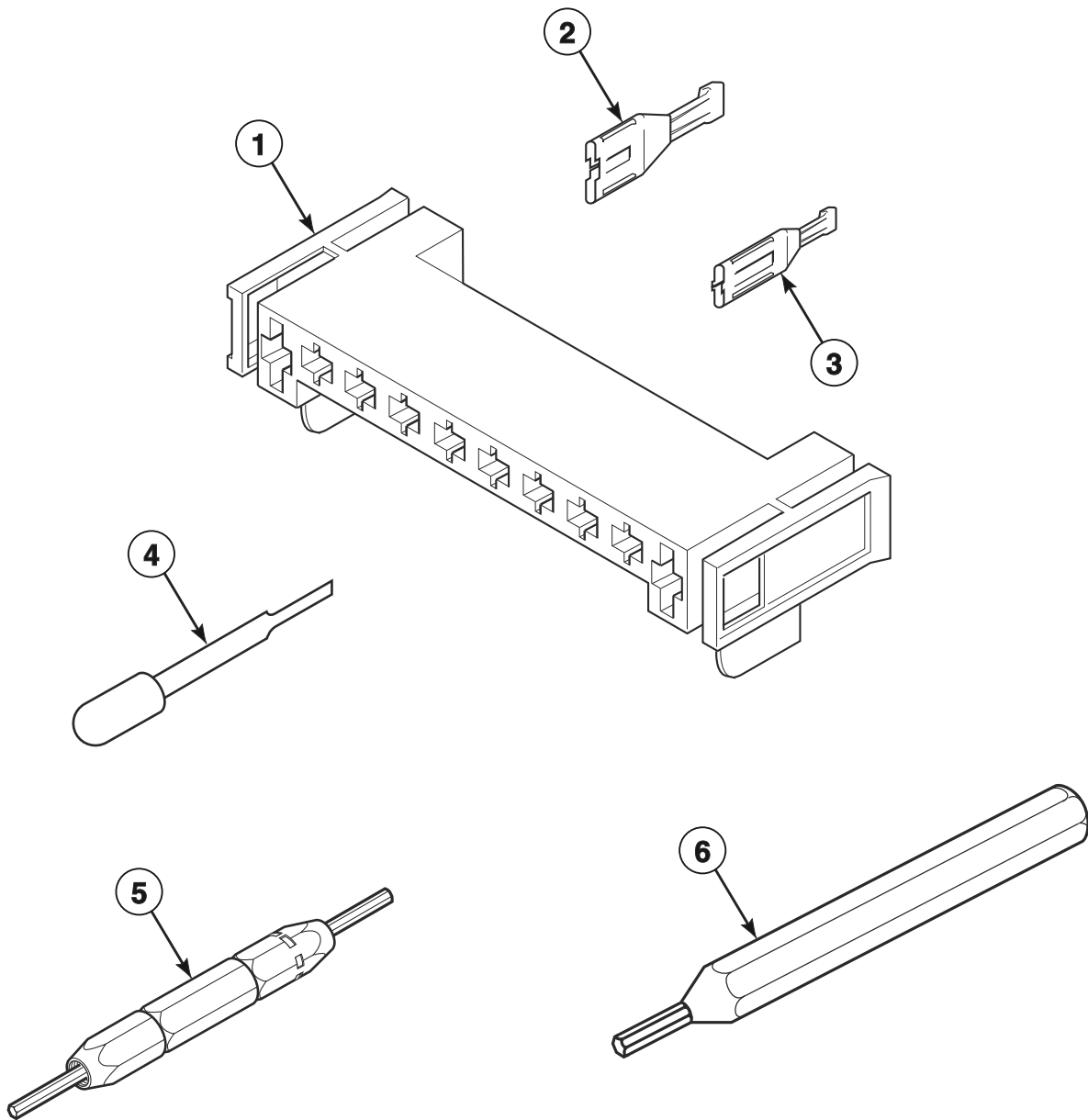


SWD1230P_806122

Dryer Power Cord

REF	PART NO.	DESCRIPTION	COMMENTS
1	20530	Screw	
2	38384	Strain Relief	Models BTGBCASP113TW01, BTGBXASP113FW28, BTGBYASP113TW01, HTGBCASP113TW01, HTGBXASP113FW28, HTGBXASP123DW01, HTGBXASP543DW01, HTGBYASP113TW01, STGBCASP113TW01, STGBXASP113TW01, STGBXASP113FW28, STGBXASP113TW01, STGBXASP123DW01, STGBXASP543DW01 and STGBYASP113TW01
3	502500	Strain Relief	Model NTLBXASP303NW26
4	61605P	Lead-In Cord Kit	Models BTEBLASP433AW01, BTEBXASP433AW01, STEBXASP433AW01 and STEBXASP433AW12
	515312	Lead-In Cord	Models BTGBXASP113FW28, HTGBXASP113FW28 and STGBXASP113FW28
	503597	Lead-In Cord Assembly	Model STEBXASP303UW01
	512019	Lead-In Cord	Models BTGBLASP303AW01, BTGBXASP303AW01, STGBXASP303AW01 and STGBXASP303AW12
	58992	Power Cord Assembly	Models HTGBDASP093CW01, HTGBXASP093CW01 and HTGBYASP093CW01
	514222	Lead-In Cord Assembly	Models HTGBXASP123DW01 and STGBXASP123DW01
	514289	Lead-In Cord Assembly	Models HTGBXASP543DW01 and STGBXASP543DW01
	59373	Lead-In Cord	Model NTLBXASP303NW26
	59308	Lead-In Cord	Models BTGBCASP113TW01, BTGBYASP113TW01, HTGBCASP113TW01, HTGBYASP113TW01, STGBCASP113TW01, STGBXASP113TW01, STGBXASP113TW01 and STGBYASP113TW01
5	52113	Strain Relief	Models BTEBLASP433AW01, BTEBXASP433AW01, STEBXASP303UW01, STEBXASP433AW01 and STEBXASP433AW12
	F140312	Connector	Models HTGBDASP093CW01, HTGBXASP093CW01 and HTGBYASP093CW01
	60298	Strain Relief	Models BTGBLASP303AW01, BTGBXASP303AW01, STGBXASP303AW01 and STGBXASP303AW12
6	502496	Strain Relief Adapter	Models BTEBLASP433AW01, BTEBXASP433AW01, BTGBLASP303AW01, BTGBXASP303AW01, NTLBXASP303NW26, STEBXASP303UW01, STEBXASP433AW01, STEBXASP433AW12, STGBXASP303AW01 and STGBXASP303AW12

Dryer Terminals and Terminal Extractor Tools

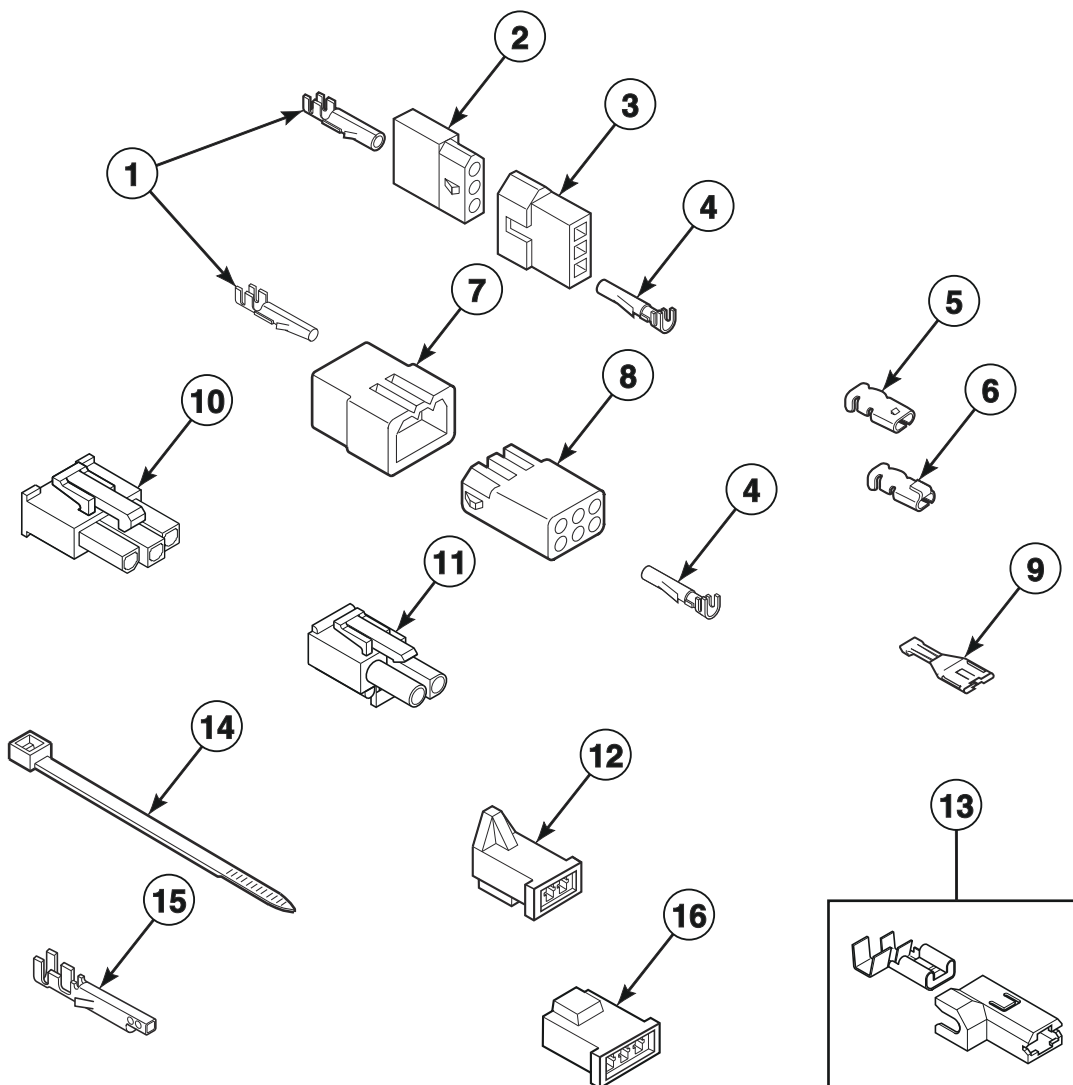


DRY1767P_806122

Dryer Terminals and Terminal Extractor Tools

REF	PART NO.	DESCRIPTION	COMMENTS
1	500338	10 Position Housing	
2	00255	Female Terminal	1/4 inch; (1) 12 gauge wire; Electric models
	00256	Female Terminal	1/4 inch; (1) or (2) 18 gauge wires; Gas models
3	00188	Female Terminal	For 1 or 2 wire application
4	283P4	Terminal Extractor Tool	For use on Molex connectors
5	190P4	Extractor Tool	For use on electric dryer terminals
6	128P4	Extractor Tool	For use on gas dryer terminals

Terminals

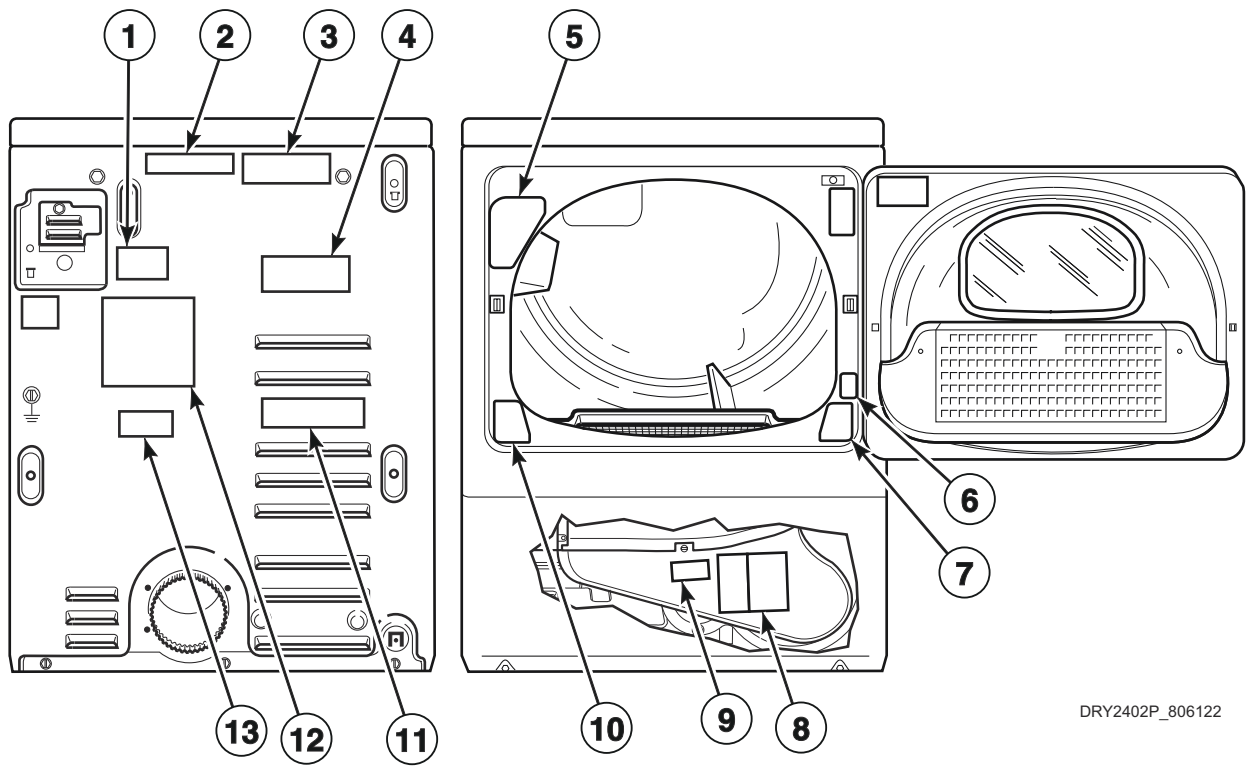


SWD1143P_806122

Terminals

REF	PART NO.	DESCRIPTION	COMMENTS
1	00117	Female Pin Terminal	
2	23039	3 Circuit Receptacle	
3	23040	Plug	
4	00116	Male Pin Terminal	
5	00189	Female Spade Terminal	Gas models
6	00361	Female Piggyback Terminal	Gas models
7	23033	9 Circuit Plug	
8	26708	6 Circuit Receptacle	
9	00256	Female Terminal	
10	36170	3 Circuit Receptacle	
11	501223	2 Circuit Receptacle	
12	58799	2 Circuit Connector	Gas models
13	00221	Insulated Female Flag Terminal	
14	55881	Harness Strap	
15	00252	Terminal	
16	58800	3 Circuit Connector	Gas models

Dryer Labels

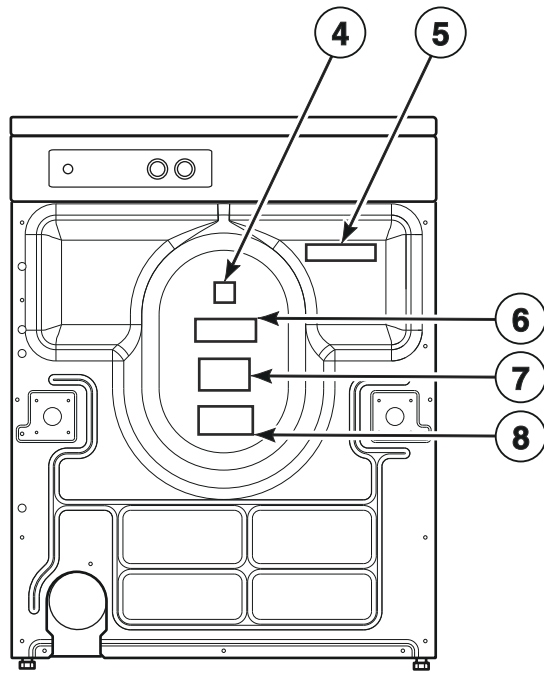
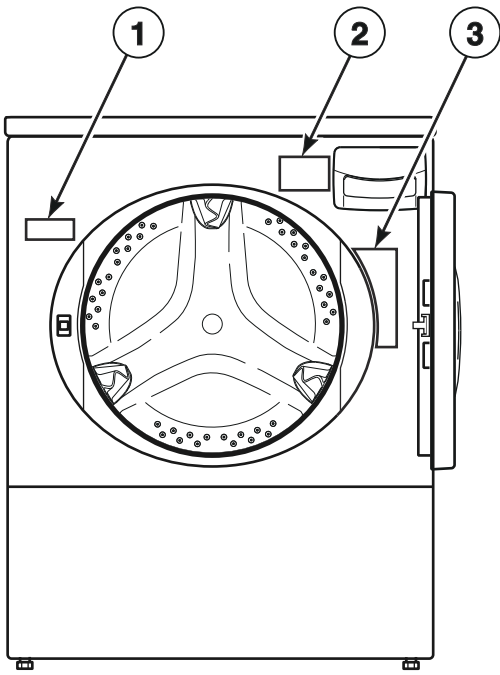


DRY2402P_806122

Dryer Labels

REF	PART NO.	DESCRIPTION	COMMENTS
1	803260	Warning Label	Turn off controls
2	505281	Disconnect Power Warning Label	Text; English; Disconnect power
	500316	Warning Label	English/French; Disconnect power
3	44127701	Warning Label	Text; Electric shock
4	502791	Venting Instruction Label	
5	500281	Warning/Caution Label	
6	503887	Label	
7	512263	Warning Label	
8	511004	Gas Clearance Label	
9	500049	Warning Label	Text; Electric shock
	F8211201	Electrical Shock Label	Icon; Electric shock
	F8211301	Pinched Fingers Label	Icon; Crush hazard
10	502781	Lint Filter Label	Icon
11	505215	Gas Label	Text; Stainless steel flexible gas line
12	511005	Electric Clearance Label	
13	500497	Exhaust Warning Label	Text
	502507	Exhaust Warning Label	Icon
	502508	Warning Label	Icon; Fire

Washer Labels

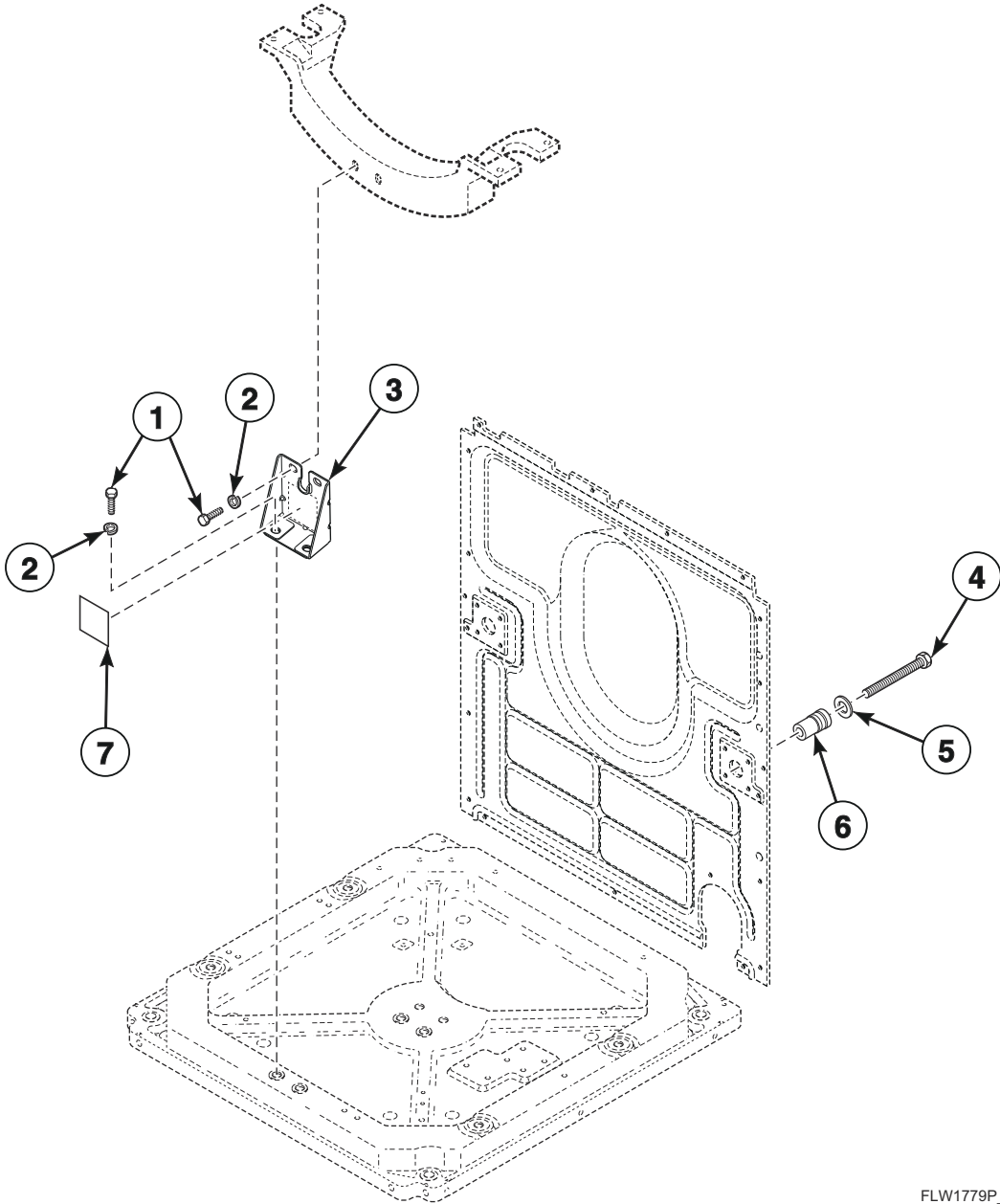


FLW1722P_806122

Washer Labels

REF	PART NO.	DESCRIPTION	COMMENTS
1	803011	Notice Label	
2	802074	Oversudsing Label	English
	802838	Oversudsing Label	Spanish
3	802367	Warning Label	Reduce fire risk; Door locked
4	513371	Read Instructions Label	
5	505281	Disconnect Power Warning Label	English
	801706	Caution Label	Icon; Ground machine
	500316	Warning Label	English/French; Disconnect Power
6	685928	Left Hand Thread Label	Text
	804949	Left Hand Thread Label	Icon
7	803260	Warning Label	Disconnect power
	F8211201	Electrical Shock Label	Icon; Electric shock
8	500049	Warning Label	English
	500314	Warning Label	English/French
	F8211301	Pinched Fingers Label	Icon; Crush hazard

Shipping Materials

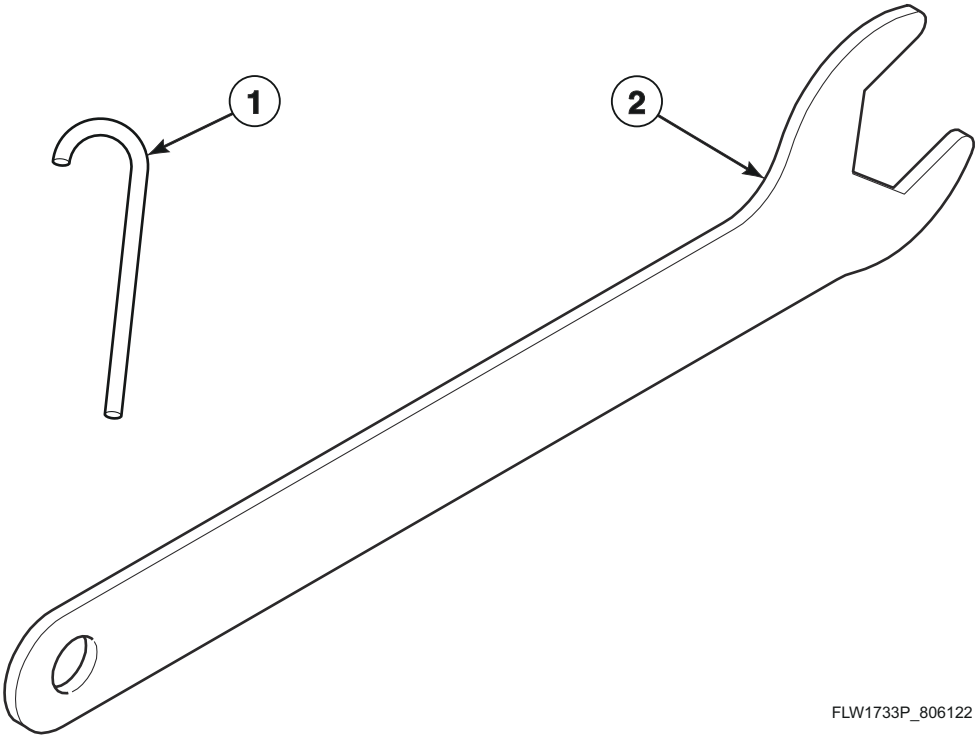


FLW1779P_806122

Shipping Materials

REF	PART NO.	DESCRIPTION	COMMENTS
1	M400043	Screw	
2	M400014	Washer	
3	804454	Shipping Brace	
4	800462	Screw	
5	800624	Washer	
6	803858	Shipping Spacer	
7	804488	Label	Remove shipping brace

Special Tools

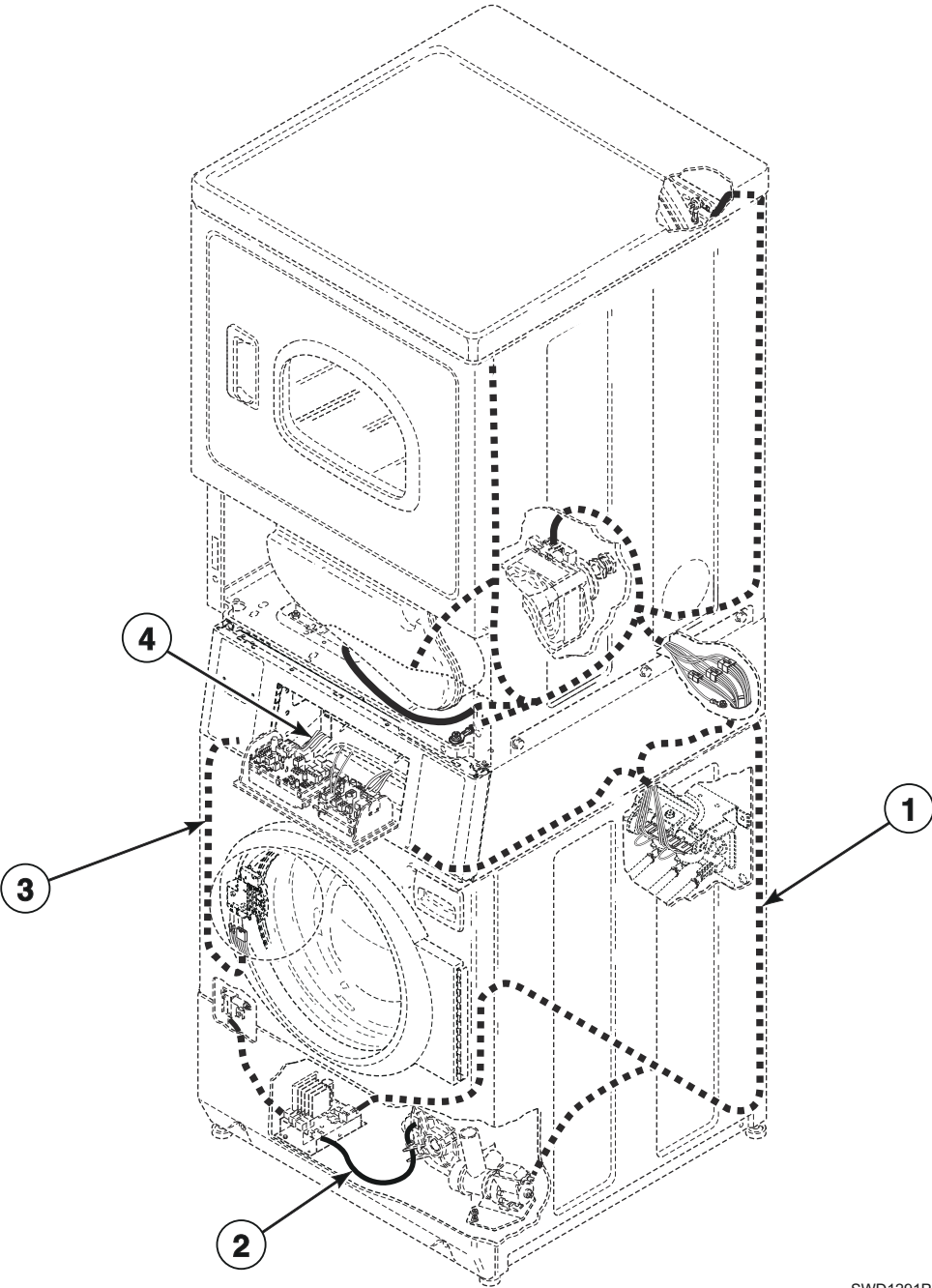


FLW1733P_806122

Special Tools

REF	PART NO.	DESCRIPTION	COMMENTS
1	802336	Pulley Bolt Tightening Fixture	Use to install inner basket
2	392P4	Wrench	Use for adjusting leveling leg nuts

Washer Wire Harnesses and Wires



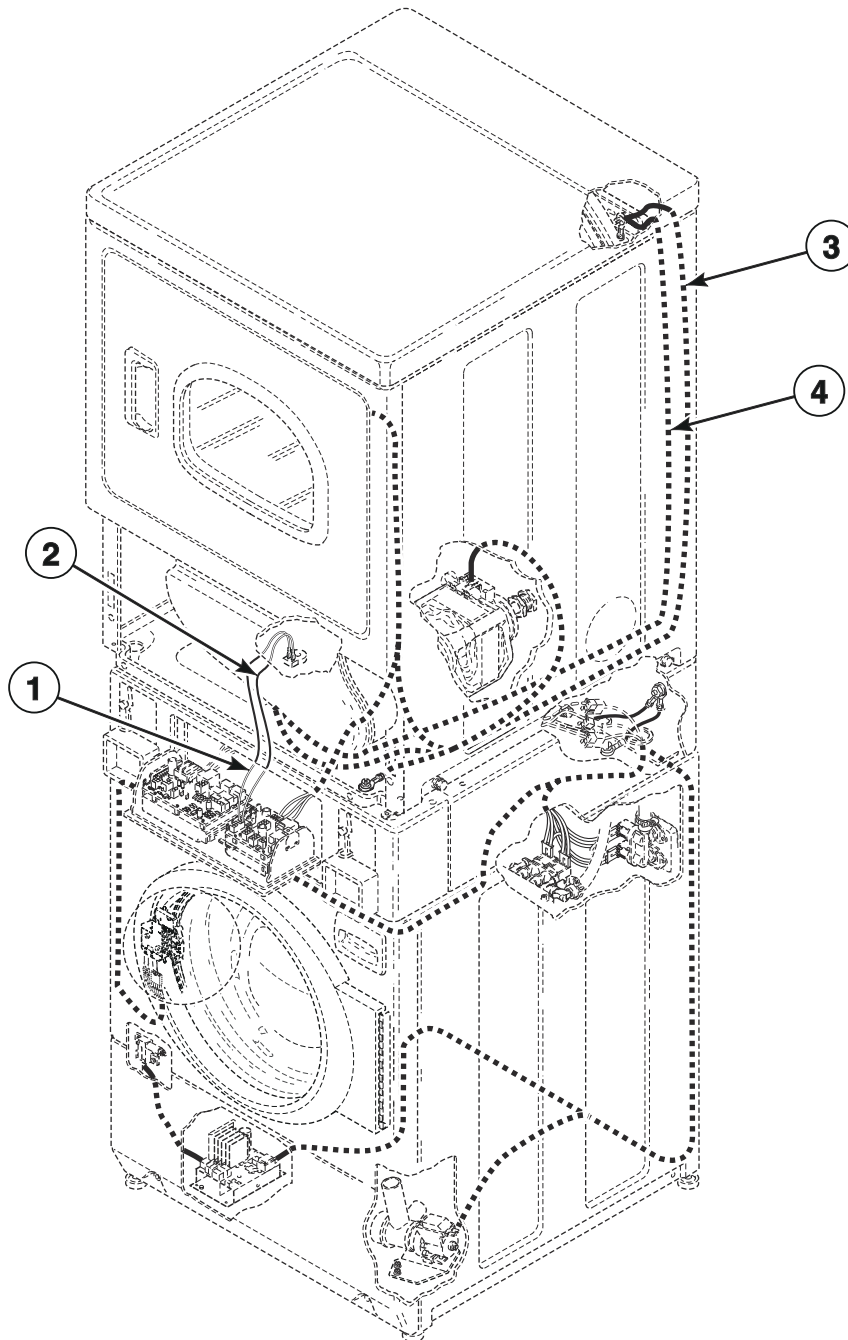
SWD1291P_806122

Washer Wire Harnesses and Wires

REF	PART NO.	DESCRIPTION	COMMENTS
	45001	18 Gauge Wire	Black; Order wire by the foot and terminals as required
	45380	12 Gauge Wire	Orange; Order wire by the foot and terminals as required
	804433	Pressure Sensor Harness	
1	806031	Front Control Harness	
2	806029	Motor Harness	
3	806028	Door Lock Harness Assembly	
4	512422P	Wire Harness Assembly	

NOTE: Individual wires are not available separately. Order complete wire harness, or order wire by the foot. When applying terminals to wires, it is recommended that the terminals be soldered to the wires.

Dryer Wire Harnesses and Wires



SWD1279P_806122

Dryer Wire Harnesses and Wires

REF	PART NO.	DESCRIPTION	COMMENTS
	45001	18 Gauge Wire	Black; Order wire by the foot and terminals as required
	45380	12 Gauge Wire	Orange; Order wire by the foot and terminals as required
1	512273P	Wire Configuration Assembly	
2	512275P	Wire Configuration Assembly	
3	513833	Electronic Harness	Models BTGBCASP113TW01, BTGBXASP113FW28, BTGBYASP113TW01, HTGBCASP113TW01, HTGBDASP093CW01, HTGBXASP093CW01, HTGBXASP113FW28, HTGBXASP123DW01, HTGBYASP093CW01, HTGBYASP113TW01, STGBCASP113TW01, STGBXASG113TW01, STGBXASP113FW28, STGBXASP113TW01, STGBXASP123DW01 and STGBYASP113TW01
	513828	Electronic Harness	Models BTEBLASP433AW01, BTEBXASP173FW28, BTEBXASP433AW01, NTEBXASP303NW01, NTEBXASP303NW22, STEBCASP173TQ01, STEBXASP173FW28, STEBXASP173TQ01, STEBXASP303NW22, STEBXASP303UW01, STEBXASP433AW01, STEBXASP433AW12, STEBXASP543ZW01 and TTEBXASP303NW22
	513837	Wire Harness Assembly	Models BTGBLASP303AW01, BTGBXASP303AW01, STGBXASP303AW01 and STGBXASP303AW12
	513841	Wire Harness Assembly	Models HTGBXASP543DW01 and STGBXASP543DW01
	514094	Electronic Harness	Models BTEBCASP173TW01, BTEBEASP283CW01, BTEBYASP173TW01, HTEBCASP173TW01, HTEBDASP283CW01, HTEBXASP133DW01, HTEBXASP173FW28, HTEBXASP283CW01, HTEBXASP293CW01, HTEBXASP543DW01, HTEBYASP283CW01, STEBCASP173TW01, STEBXASP133DW01, STEBXASP173TW01, STEBXASP543DW01 and STEBYASP173TW01
	513819	Harness	Models NTGBXASP303NW01, NTLBXASP303NW26, STGBXASP303NW22 and STGBXASP303ZW01
4	805684	Harness	Main harness to dryer base; Models BTEBEASP283CW01, HTEBDASP283CW01, HTEBXASP283CW01, HTEBXASP293CW01, HTEBYASP283CW01, HTGBDASP093CW01, HTGBXASP093CW01 and HTGBYASP093CW01

NOTE: Individual wires are not available separately. Order complete wire harness, or order wire by the foot. When applying terminals to wires, it is recommended that the terminals be soldered to the wires.

Parts Index

A

Access Panel and Guard Assembly 514252W	53
Access Panel Assembly 514250WP	53
804617Q	21
804617W	21
Access Panel Plate 510903	73
Adhesive 511637P	59, 63
Air Duct Assembly 510151LG	61
510151W	61
Anchor 155P3	41
Anchor Floor Mount Assembly 802844P	41
Anti-Seize Compound 27604P	33, 55

B

Backflow Preventer 800310	39
Balance Ring Assembly 804393	33
Base Assembly 803876	41
Bearing Housing Kit 805525	33
Blower Fan Assembly 510139P	55
Blower Housing 511969LG	55
511969WP	55
Blower Housing Seal 510238P	55
Bolt 29651	13
Booster and Holding Coil 58804A	69
59063A	69
Bracket 510146	73
Bumper Pad 36226	41
56128	73
Burner Assembly 510149P	69

C

Cabinet Panel Kit 800004QP	41
800004WP	41

Cabinet Rear Panel 514632P	73
Cabinet Side Panel 510001WP	73
510002WP	73
Cable Connection Box 39922	43
Card Insert Overlay 514391	19
Caution Label 801706	83
Central Pay Harness 805427	7
Clamp Ring 803802	31
Clean Lint Label 502804	53
Clip 201572	17
Clothes Guard Deflector 804467	31
805548	31
Coin Drop 38963P	15
70441601P	15
Coin Drop Assembly CK114	15
38462P	15
38463	15
38464P	15
38467	15
38472	15
38519	15
38521	15
70441602	15
70482401	15
Coin Drop Wire Harness 201104	17
Coin Identification Paper 38725	17
Combustion Duct 510131	67
Compartment Cover 803670	25
Connector F140312	75
Connector, 2 Circuit 58799	79
Connector, 3 Circuit 58800	79
Control Assembly 511867P	7
514273P	7
804471P	7
804472P	7
Control Panel 803964Q	13
803964W	13
803968W	19
803972W	19
Control Panel Assembly 804069B	7

N/A items do not appear in index.

804069DG.....	7
804069W.....	7
Control Shield 804363.....	9
Counterweight 803810.....	31
Cylinder Assembly 510265WP.....	59
Cylinder Baffle 510102W.....	59
Cylinder Belt 511255P.....	55
Cylinder Glide 513710.....	59
Cylinder Glide Bracket 510145.....	59
Cylinder Roller 510708P.....	63
Cylinder Roller Bracket 510100.....	63
Cylinder Seal Assembly 510207P.....	59, 63

D

Detergent Hose 804717.....	25
Directional Exhaust Kit 528P3.....	73
Disconnect Power Warning Label 505281.....	81, 83
Dispenser Assembly 803698.....	25
Dispenser Drawer 803667.....	25
Dispenser Handle 804227WP.....	25
Dispenser Inlet Hose 803849.....	25, 27
Dispenser Plate 803843.....	25
Door and Liner Assembly 511636WP.....	49, 51
Door Assembly 804083WP.....	21
804210.....	21
Door Catch Assembly 510177.....	53
802803.....	21
Door Glass 802695P.....	21
Door Glass Mounting Plate 804239.....	21
Door Handle Wedge 510129.....	47, 51
510129LG.....	49
510129W.....	49
Door Hinge 802934.....	21
Door Latch Assembly 803920.....	21

Door Liner Grill 503870LG.....	47, 49
503870W.....	49, 51
Door Lock Drip Shield 804784.....	21
Door Lock Harness Assembly 806028.....	89
Door Pull and Wedge Kit 510103WP.....	49, 51
515950P.....	47, 49
Door Seal 804428P.....	21
Door Seal Assembly 804429P.....	21
Door Strike 510181.....	47, 49, 51
Door Strike Mount 510127.....	47, 49, 51
Drain Base Bracket 803814.....	39
Drain Hose 27154.....	39
Drain Hose Bracket 803828.....	41
Drain Hose Elbow 35766.....	39
Drain Pump Assembly 803921P.....	39
803922.....	39
805724P.....	39
805772P.....	39
Drain Pump Drip Shield 805561.....	39
Drain Pump Isolator 803815.....	39
Drain Valve 803293.....	37
Drain Valve Kit F975P3.....	37
Drain-to-Cabinet Hose 800903.....	37
Drip Shield 514327.....	53
Drive Belt 804985.....	35
Dryer Base 514245.....	73
Dryer Door 510082WP.....	49, 51
Dryer Door Assembly 514114W.....	47, 49
Dryer Door Window 503982P.....	47, 49, 51
Dual Coin Harness Assembly 202871.....	15, 17
Dual Overlay 39073.....	13

E

Elbow Shut-Off Valve 510205.....	69
-------------------------------------	----

N/A items do not appear in index.

Electric Clearance Label 511005	73, 81
Electrical Shock Label F8211201	81, 83
Electronic Coin Drop Assembly	
70294104	17
70294105P	17
70294106	17
70294107	17
70294110	17
70294111	17
70294116	17
70294117	17
70294120	17
70294121	17
70294122	17
70294123	17
Electronic Coin Drop Kit	
CK099	17
CK100	17
CK101	17
CK103	17
CK108	17
CK109	17
CK110	17
CK113	17
CK115	17
CK116	17
CK117	17
CK118	17
CK120	17
CK121	17
Electronic Harness	
513828	91
513833	91
514094	91
Exhaust Duct 510137	73
Exhaust Warning Label 500497	81
502507	81
Expansion Clip 70030501	13, 19
Extension Spring 802285	21
Extractor Tool 128P4	77
190P4	77

F	
Felt Pad 510189	59
Female Piggyback Terminal 00361	79
Female Pin Terminal 00117	79
Female Spade Terminal 00189	79
Female Terminal 00188	77
00255	77
00256	77, 79
Fill Hose F8498701	29

202799	29
202800	29
202931	29
20617	29
20618	29
Filter Harness 804797	11
Filter Jumper Harness 804805	43
Flexible Venting Kit 521P3	73
Foam Pad 804875	25
Foreign Object Deflector 806308	31
806313	31
Front Bulkhead Assembly 510266P	59
Front Control Harness 806031	89
Front Panel 510066WP	53
802277QP	21
802277WP	21
Front Panel Assembly Kit 806505W	23
Front Panel Seal 511056	53
Fuse Notice Label 61294	61

G

Gas Clearance Label 511004	73, 81
Gas Label 505215	81
Gas Valve Assembly 510506P	69
515490	69
60353P	69
Gas Valve Mounting Bracket 510128	69
Gasket 802427	39
Glass Door Window 513910	47, 49
Glass Mounting Clip 802700	21
Glide Kit RB170003	59
Gravity Drain Bracket 803291	37
Grommet 29175	31

H

Harness 513819	91
805684	91

N/A items do not appear in index.

Harness Strap	
55881	45, 79
Heat Duct Shroud	
510101	67
Heater Assembly	
510324P	65
510326P	65
510327P	65
510329P	65
510330P	65
Heater Duct and Screw Assembly	
510025P	65, 67
Heater Kit	
964P3	65
965P3	65
Heater Kit Assembly	
61927	65
61928	65
61929	65
61930	65
Hinge	
511036	47, 49, 51
Hinge Hole Plug	
510186	53
Hinge Plate	
802206	21
Hold Down Kit	
526P3	73
Hose and Washers Kit	
203675	29
203676	29
Hose Clamp	
F200204	39
20211	39
20391	39
685725	25, 37
802281	21
803891	31
804173	25, 27
Hose Clip	
36985	31, 45
800553	31
Housing, 10 Position	
500338	77

I

Idler Lever	
510133	57
Idler Lever and Wheel Assembly	
510158	57
Idler Spring	
510185	57
Idler Wheel and Bearing Assembly	
510142P	57
Igniter and Bracket Assembly	
510184P	69
Inner Basket Assembly	
804374P	33
805485	33
Inner Basket Assembly Kit	
804376P	33
Inner Door Bezel	
804562	21

N/A items do not appear in index.

Inner Door Bezel Kit	
802307P	21
802331P	21
Insulated Female Flag Terminal	
00221	79
Inverter Control Assembly	
803949P	35

J

Junction Box	
803818	43
803819	43
Junction Box Cover	
803820	43
Junction Box Seal	
803832	43

K

Key	
54612	7

L

Label	
503887	81
804488	85
Lead-In Cord	
202777	45
39926	43
512019	75
515312	75
59308	75
59373	75
Lead-In Cord Assembly	
503597	75
514222	75
514289	75
804556	43
Lead-In Cord Kit	
61605P	75
Lead-In Pipe Assembly	
510204	69
Left Hand Thread Label	
685928	83
Left Hand Thread Label	
804949	83
Leveling Leg	
34319	41
510135	73
Lid Assembly	
802426P	39
Lifter	
804382	33
Limit Thermostat	
510701	65
510702	67
Line Filter	
805633	11

Liner and Seal Assembly	
510098LG	47, 49
510098W	49, 51
Liner Door Seal	
510147P	47, 49, 51
Lint Filter	
503980LG	61
503980W	61
Lint Filter Label	
502781	81
Lock Assembly	
804339P	7
Lock Cam	
804338	7
L.P. Conversion Kit	
458P3	69
600P3	69
L.P. Orifice	
503786	71
58755	71

M

Machine ID Control Assembly	
203361P	7
Male Pin Terminal	
00116	79
Membrane Switch	
510036P	7
Meter Case Assembly	
804009Q	13
804009W	13
Mixing Valve	
803809	27
803838P	27
Mixing Valve Screen	
24122	27
Mixing Valve Shield	
804783	27
Motor and Pulley Assembly	
505843P	55
505869P	55
511629P	55
Motor and Rod Assembly Kit	
805726P	35
Motor Control Shield	
804878	35
806258	35
806498	35
Motor Harness	
806029	89
Motor Hub Ring Kit	
590P3	55
Motor Mount	
510060	57
Motor Mount Clamp	
510180	55
Motor Pulley	
500011	55
500222	55
Motor Rod	
803861	35

Motor Shield	
514602	57
Mounting Tool Kit	
CK096	17

N

Notice Label	
803011	83
Nut	
F430218	31
03673	45
201216	17
21899	41
23951	21
29786	15, 37
36020	21
44071201	47, 49
44087201	13
52566	57
56156	57, 63
685846	21
800452	31, 33
802343	31
804418	33
N.G. Conversion Kit	
459P3	69
N.G. Orifice	
503776	71
503778	71
503779	71
503780	71
510517	71

O

Operation Instructions	
805667	19
O-Ring	
802429P	39
Outer Door Bezel	
803710WP	21
803711P	21
Outer Tub Assembly	
803864	31
Outlet Cover	
500820	65, 67
Out-of-Balance Switch Assembly	
803415	31
Out-of-Balance Switch Bracket	
804457	31
Output Board Shield	
514420	73
Output Control Assembly	
513797P	73
Overlay	
201091	13
514873	19
805032	7
805396	7
805397	7
805398	7
805400	7

N/A items do not appear in index.

806189	7
Overlay Kit	
38676	13
Oversuding Label	
802074	83
802838	83

P

Panel Locator	
56079	21, 41, 53, 73
Pinched Fingers Label	
F8211301	81, 83
Plug	
23040	79
Plug, 9 Circuit	
23033	79
Pop Rivet	
685847	31
Porcelain Touch-Up Paint	
122P4P	41, 73
Power Cord Assembly	
39931	43
58992	75
801450	43
802012	43
Pressure Bulb	
803837	31
Pressure Sensor	
202470	41
Pressure Sensor Harness	
804433	89
Pressure Sensor Tube Assembly	
804483	31
Pulley Assembly	
803974	33
Pulley Bolt Tightening Fixture	
802336	87
Pump Housing	
802428	39
Pump Housing Assembly	
802434P	39
Pump-to-Elbow Hose	
803734	39

R

Read Instructions Label	
513371	83
Rear Access Panel	
803998	13, 19
Rear Bulkhead Assembly	
510905WP	63
511082P	63
Rear Panel	
803789	41
803790	41
Receptacle, 2 Circuit	
501223	79
Receptacle, 3 Circuit	
23039	79

36170	79
Receptacle, 6 Circuit	
26708	79
Retaining Ring	
23748	57, 63
Roller Kit	
RB170002	63
Rubber Foot	
34318	41
501855	41

S

Screw	
M400043	33, 85
M400057	35
02916	37
20530	45, 75
23222	65, 69
31260	55, 57
33562	53
36048	73
39733	21, 41, 53, 73
500226	47, 49, 51
500824	57
501086	11
501285	61, 63
501524	35
502535	57
503661	7, 11, 21, 35, 37, 39, 41, 43
503688	9, 13, 19, 53, 55, 59, 63, 65, 67, 69, 73
505295	47, 49, 51
505870	47, 49, 51
514428	73
515597	47, 49
51782	67, 69
52864	61
52909	39
56124	69
61199	63
62588	59
685831	33
70240301	13, 19
800461	31
800462	31
800548	21, 25, 33
801001	25
801019	21
801045	21
801993	21
802431	39
802596	31
804399	33
804462	85
804608	7
804667	73
804699	33
Screw Orifice	
58719	71
Seal Kit	
RB170001	59, 63
Sealant	
27615P	39
Secondary Coil	
58804B	69
59063B	69

N/A items do not appear in index.

Sensor	510213	69
Shaft	56461P	57, 63
Shield Bracket	804018	9
Shipping Brace	804454	85
Shipping Plate	803851	41
Shipping Plug	803859	41
Shipping Spacer	803858	85
Shock Assembly	803777	31
Side Panel Kit	800005QP	41
	806492	41
Single Coin Harness Assembly	202870	15
Single Overlay	38717	13
Snap Bushing	M402542	11
	503235	37
Speed Clip	28835	53
Standpipe Strap	33489	39
Strain Relief	38384	43, 45, 75
	502500	75
	52113	75
	60298	75
Strain Relief Adapter	502496	75
Switch	512973	7, 13, 53

T

Terminal	00252	79
Terminal Block Assembly	510190P	63
	803988	11
Terminal Block Drip Shield	805344	11
Terminal Block Shield	510237	63
	514330	63
Terminal Extractor Tool	283P4	77
Thermal Fuse Assembly	511412	65
Thermistor Assembly	502366	57
	510523	57
Thermostat Shield	514325	57
Top Hinge	510136	73

Top Kit	510032WP	73
Transformer	201375P	17
	202757	7
	202758	7
Transformer Harness	804795	7
	805428	7
Transformer Kit	203423	7
	203424	7
Trunnion Shaft Kit	804405P	33
Tub Front	803770	31
Tub Front Assembly	803879	31
Tub Front Seal	803801	31
Tub-to-Gravity Drain Hose	803874	37
Tub-to-Pump Hose	803829	39

V

Valve Assembly	60443P	69
Venting Instruction Label	502791	81

W

Warning Label	44127701	81
	500049	31, 81, 83
	500314	83
	500316	81, 83
	502508	81
	512263	53, 81
	802367	83
	803260	81, 83
Warning/Caution Label	500281	53, 81
Washer	M400014	85
	M400017	37
	M400080	35
	M400081	31
	M403958	33
	02834	35
	03815	45
	20290	29
	26509	73
	504082	63
	52549	57, 63
	800457	33
	800464	33
	800624	85
	802254	29
	803615	29
	804458	31

N/A items do not appear in index.

Water Hose	
F200116	29
Window Clip	
513958	47, 49
Window Trim	
503981W.....	49, 51
513960W.....	47, 49
Wire Assembly	
510527	65
510528	65
Wire Clamp Ring	
802283	21
Wire Clip	
504034	45
687500	45
Wire Configuration Assembly	
512273P.....	91
512275P.....	91
Wire Guard	
201595P.....	15
Wire Harness Assembly	
512422P.....	89
513837	91
513841	91
Wire Tie	
38663	45
Wire, 12 Gauge	
45380	89, 91
Wire, 18 Gauge	
45001	89, 91
Wiring Harness Assembly	
202868	7
Wrapper Assembly	
804104Q	13
804104W.....	13
804112W.....	19
Wrench	
392P4.....	87
